

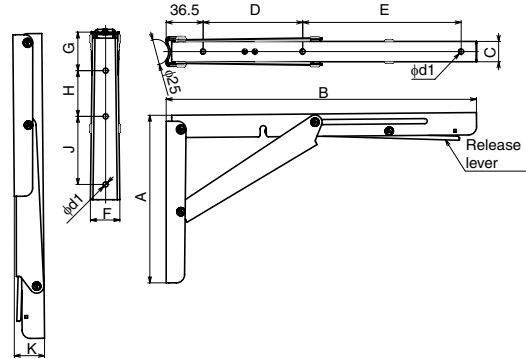
# FOLDING BRACKET EB

**LOAD CAPACITY** 200 kgf

**NSF SUS**



- Automatically locks when flap is in opened position.
- Press lever to release the lock.
- Bracket with hinge function in one unit.



Item Name	A	B	C	D	E	F	G	H	J	K	d1
EB-200/EP	116	199.5	20	155	-	29	21	80	-	28.5	5
EB-303/EP	165	305.5		98	156		38	45	67		
EB-317/EP	171	317	24			36				30	6

RHS	CAD	Item Code	Item Name	Material	Finish	Load Capacity N	Load Capacity kgf	Weight (g)	Box (pcs)	Carton (pcs)
		120-041-277	EB-200/EP	Stainless Steel (SUS304)	Mirror	1716	175	332	50	-
		120-018-226	EB-303/EP	Stainless Steel (SUS304)	Mirror	1471	150	500	25	-
		120-041-278	EB-317/EP	Stainless Steel (SUS304)	Mirror	1961	200	750	25	-

RECESSED HOOKS

LATCH HOOKS

SWING HOOKS

SMALL HOOKS

LARGE HOOKS

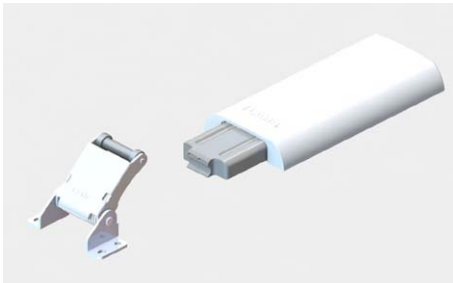
PANEL HANGER

BRACKETS & SHELVING SYSTEMS

# DAMPER FOR EB FOLDING BRACKET EBD



**INSTRUCTION**



- Designed for EB folding bracket.
- Lapcon mechanism prevents shelf from sudden drop.
- Installation position can be easily determined with the supplied template.

**[Remarks]**

- Make sure to have sufficient mounting surface strength.
- Please completely close shelf board with hands.
- Shelf board must be assembled to the arm with release lever.

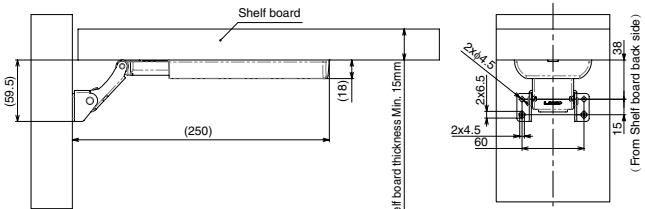
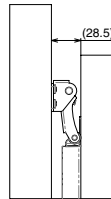
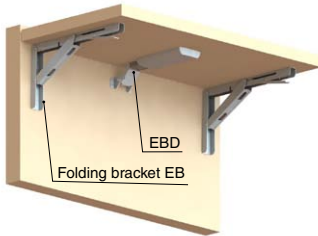
**[Parts Included]**

- Binding head tapping screw 4 x 16
- Template

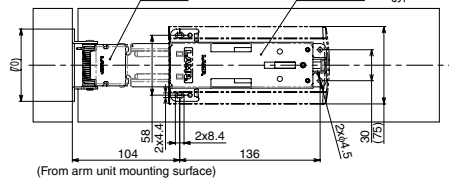
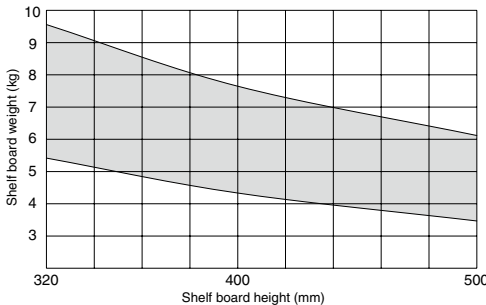
**[Sold Separately]**

- Folding bracket EB

**[Application Example]**



**[Shelf board Size Range]**



RHS	CAD	Item Code	Item Name	Material	Finish	Maximum Door Moment N·m	Maximum Door Moment kgf·cm	Flap thickness	Weight (g)	Box (pcs)	Carton (pcs)
		120-034-867	EBD	ABS/POM/Steel	Off-White/Zinc/Chrome	8.5-15	86.7-153.0	Min. 15	400	1	20