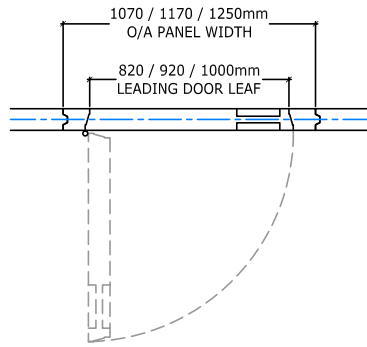
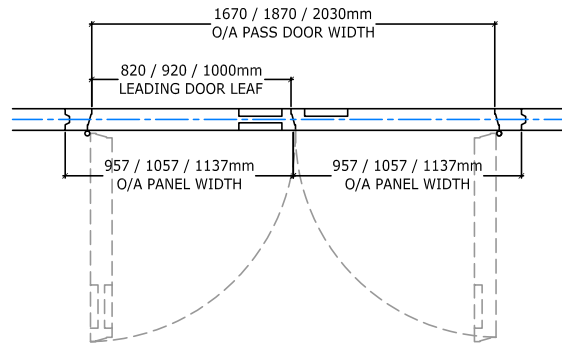


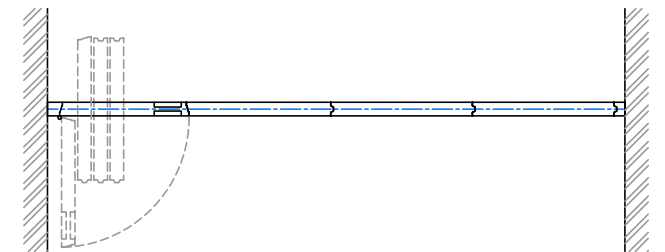
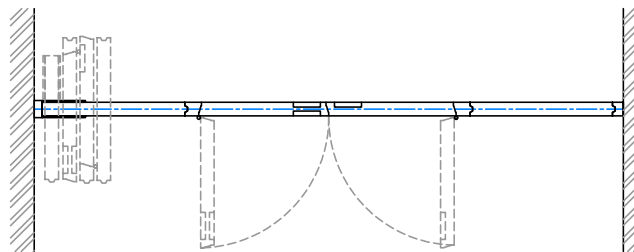
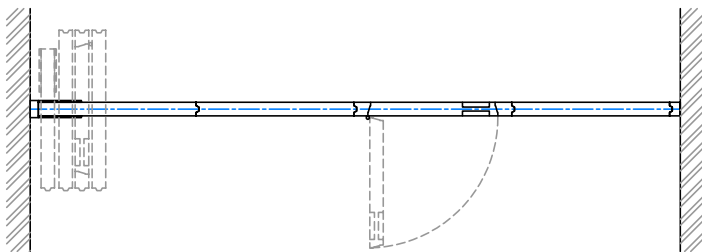
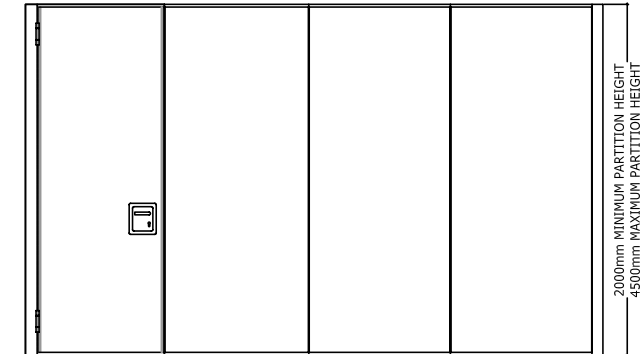
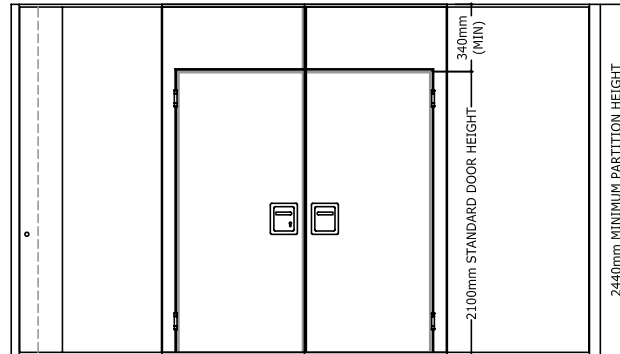
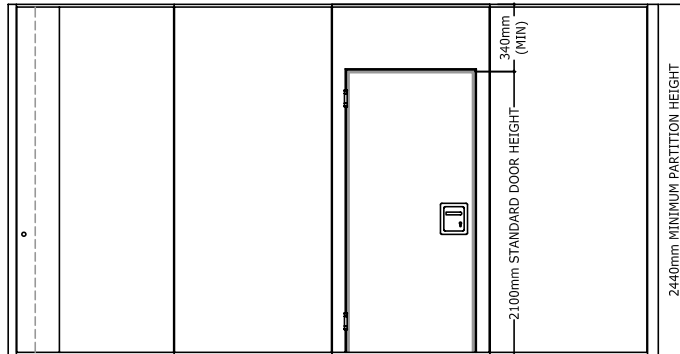
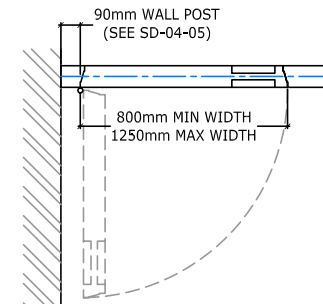
SINGLE PASS DOOR ELEMENT (DT)
(SEE SD-04-03 FOR FURTHER DETAILS)



DOUBLE PASS DOOR ELEMENT (DTZ)
(SEE SD-04-04 FOR FURTHER DETAILS)




FIXED FULL-HEIGHT HINGED PASS DOOR (FT)
(SEE SD-04-05 FOR FURTHER DETAILS)



PLEASE NOTE:
PASSDOOR HANDINGS SHOWN ARE INDICATIVE - OTHER OPTIONS/ARRANGEMENTS ARE AVAILABLE.
VP/GLAZING OPTIONS ARE AVAILABLE - PLEASE CONTACT STYLE FOR DETAILS

ASSOCIATED DRAWINGS:
1. PLEASE SEE OTHER SD-04 SERIES DRAWINGS FOR FULL MOVEO DETAILS
2. PLEASE SEE SD-01 & SD-02 SERIES OF DRAWINGS FOR DIFFERENT TRACK AND FIXING DETAILS - VARIOUS SUSPENSION OPTIONS ARE AVAILABLE
PLEASE SEE OUR WEBSITE FOR FURTHER DETAILS - www.style-partitions.co.uk

| | | | |
|--|------------------|--------|---|
| TITLE: MOVEO DETAILS - ACCESS DOOR OPTIONS/DETAILS | | |  moveable partition specialists |
| DWG No: STY-SD-04-10 | DATE: 07.02.2012 | REV: - | |