



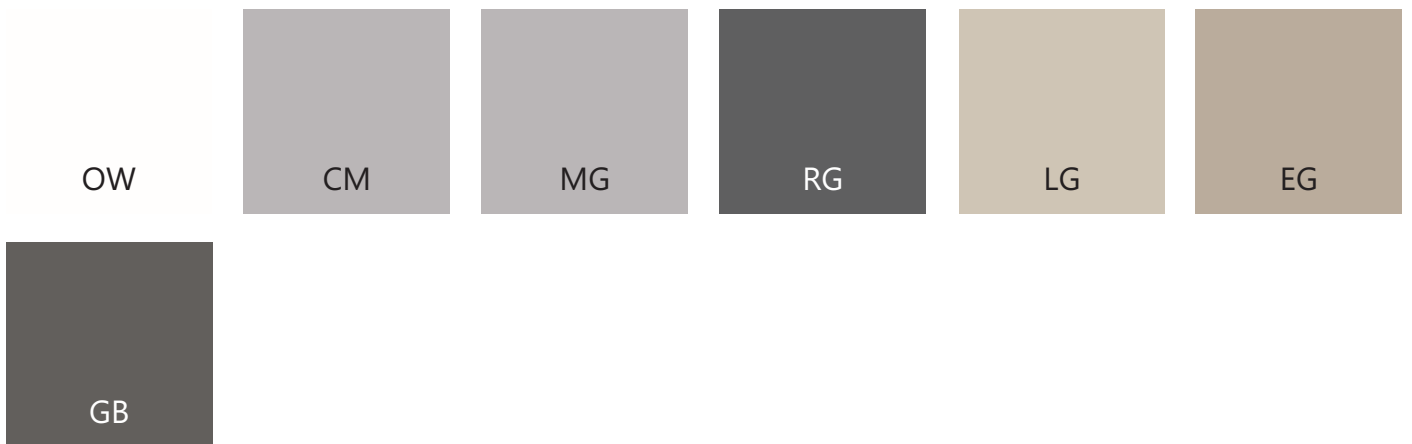
# Large Format Technical Data Sheet

Large format concrete panels for wall coverings are available in a wide range of surfaces from the dead smooth surface to a rough or rustic appearance. Panels have all the advantages that a high performance quality concrete offers: durability, thermal and sound insulation, fire resistance, corrosion resistance and waterproofing. Large format panels can be fixed to existing walls ex. plaster, brick or wood. with the added option for clients to create custom made one-of-a-kind bespoke designs

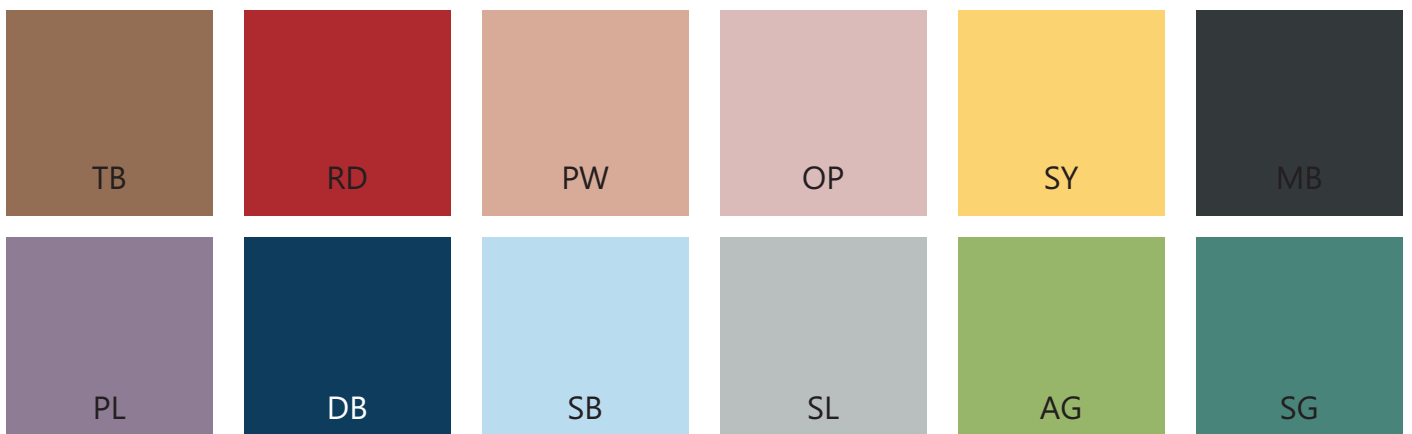


## Colours

### Basic



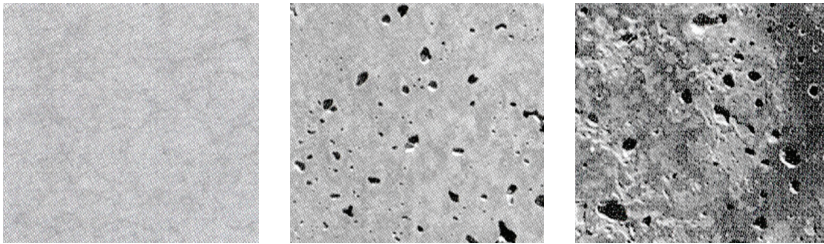
### Special





# Large Format Technical Data Sheet

## Finishes

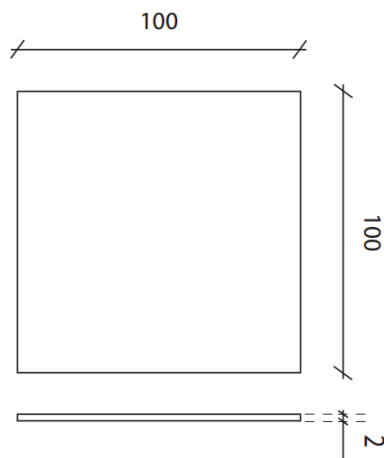


Sleek

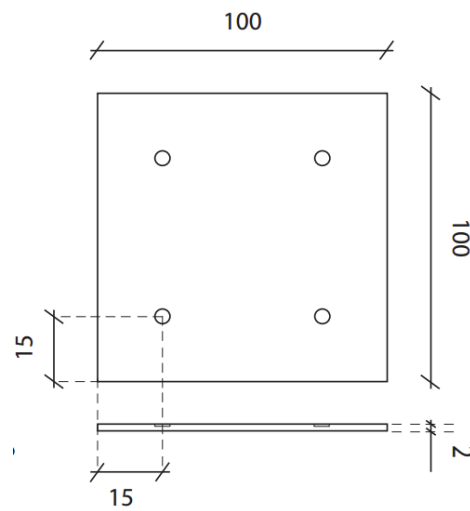
Porous

Raw

## Sizes & Formats



Smooth panel



Ankerdots panel

	100x100cm 20mm*	120x80cm 20mm*	160x80cm 20mm*	300x100 cm 20mm*
<b>Sleek</b>				
Smooth	X	X	X	-
Ankerdots	X	X	X	-
<b>Porous</b>				
Smooth	X	X	X	X
Ankerdots	X	X	X	X
<b>Raw</b>				
Smooth	X	X	X	-
Ankerdots	-	-	-	-

*\*30mm thickness also available on request*



# Large Format Technical Data Sheet

## Technical Details

<b>Features</b>	<b>Standards</b>	<b>Results</b>
Thickness	MSZ-EN 12467:2013	+/- 7.0%
Length and width	MSZ-EN12467:2013	+/- 0.2%
Orthogonality	MSZ-EN 12467:2013	+/- 1.0%
Colour tone difference	-	V3
Colour fading	DIN 12878	unchanging
Absorption	MSZ-EN 12467:2013	<0.5%
Freeze/thaw resistance	MSZ-EN 12467:2013	resistant XF4
Fire protection	MSZ-EN 13501-1:2007+A1:2010	resistant A1
Bending strength	MSZ-EN 12467:2013	8.2 Mpa (N/mm <sup>2</sup> )
Compressive strength	MSZ-EN 12390-3:2009	C50
Abrasion resistance	MSZ-4798-1:2002	XK1
Dead load	-	44kg m <sup>2</sup>
Thermal expansion coefficient	-	10x10-6k-1

