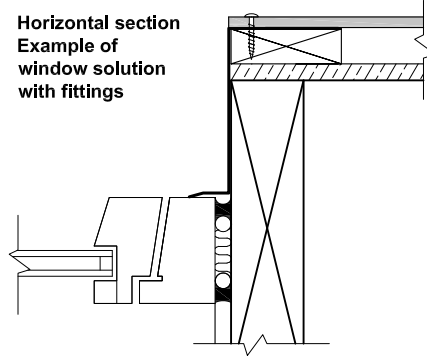
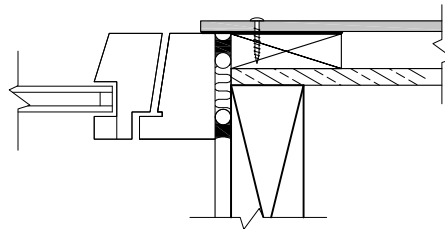


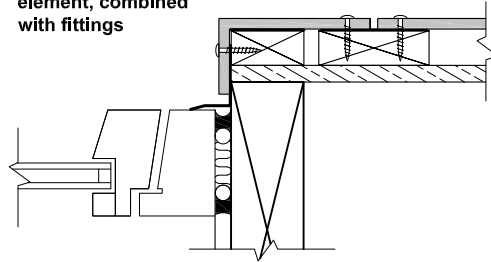
Horizontal section
Example of
window solution
with fittings



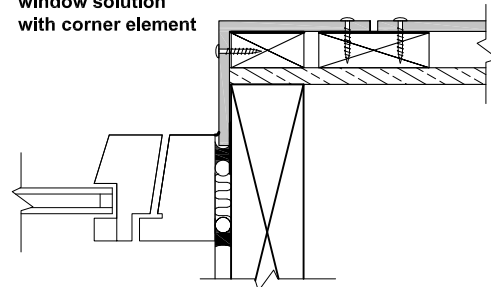
Horizontal section
Example of window
solution with window
mounted in the same
level as the facade



Horizontal section
Example of window
solution with corner
element, combined
with fittings



Horizontal section
Example of
window solution
with corner element



T:\01_Tegninger\Detaljtegninger\FS100_EN_100323.dwg .

FS 100_2
Section of window solution

Issued by/Tegnet av:
RN

Date of issue/Tegnet dato:
23.03.2010

Scale/Målestokk:
1:5



steni as
Tlf.: +47 33155600
www.steni.com