

Perrenial Composite Cladding Installation Guide

Care & Maintenance

To keep your cladding looking its best we recommend the following:

For periodic cleaning use a soft bristle brush and a dilution of mild soap and warm water. If using a power washer, stand at least 1m away from the area you are cleaning. Spray in the direction of the grain to avoid damaging the product.

For harder to clean areas or where the cladding may have been damaged we recommend using a 400 grit sandpaper or above. Lightly sand the cladding in the same direction of the grain. Rinse thoroughly with water after sanding.

These guidelines may not cover every installation or maintenance scenario. If you have additional questions please contact us.

Installation Guidance

Always pre-drill the wood plastic composite cladding using a minimum of a 4.5mm drill bit. Failure to do so, will risk damaging the product over time.

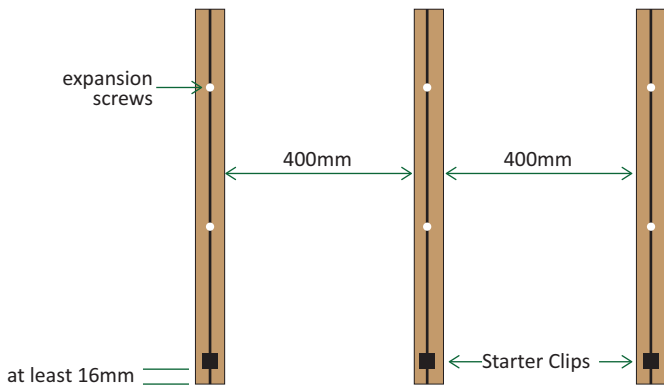
Battens must be laid on a solid flat surface such as a brick wall. Without this it will cause movement and be potentially dangerous.

When constructing cladding vertically, use drip plate to prevent panels from sliding down.

Battens must be set to a maximum of 400mm centres to prevent board movement.

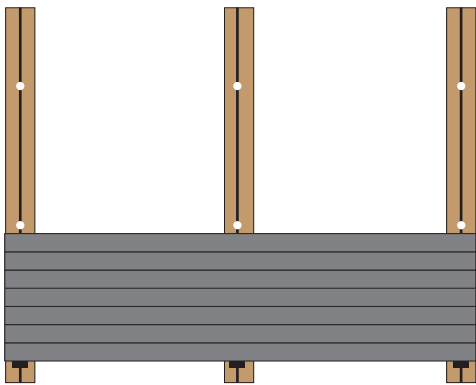
Ends of cladding boards must be supported and not have an overhang of more than 20mm.

Butted boards must have 3mm expansion gap to allow for natural movement.



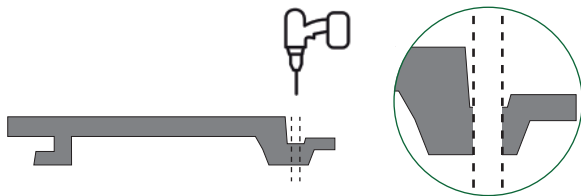
Screwing the Battens

1. Fix battens at 400mm centres on a flat surface, perpendicular to the cladding boards. Battens on butt joints should be minimum 100mm wide.
2. Fix Starter Clips to the battens at least 16mm from edges. Ensure the cladding will be level prior to fixing.

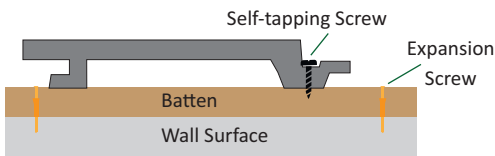


Fixing the Cladding

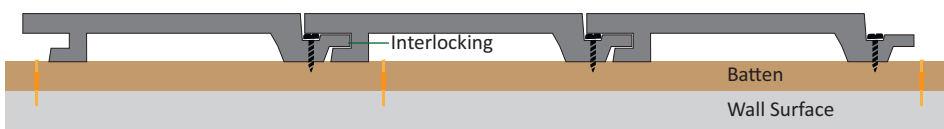
Once the first board is securely located and level, predrill a 4.5mm hole through the board tongue.



Pre-drill a 4.5mm hole in the position shown.

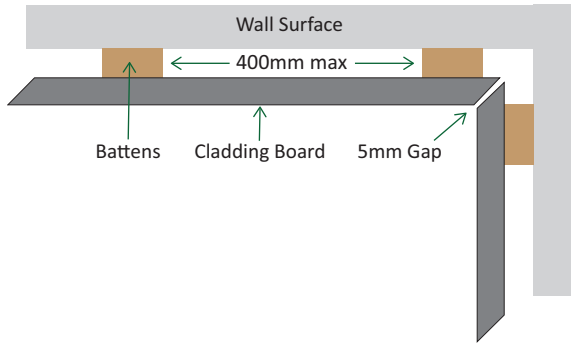


Insert the supplied 4mm screw into the hole, then tighten the screw till the panel has securely fixed on the batten.

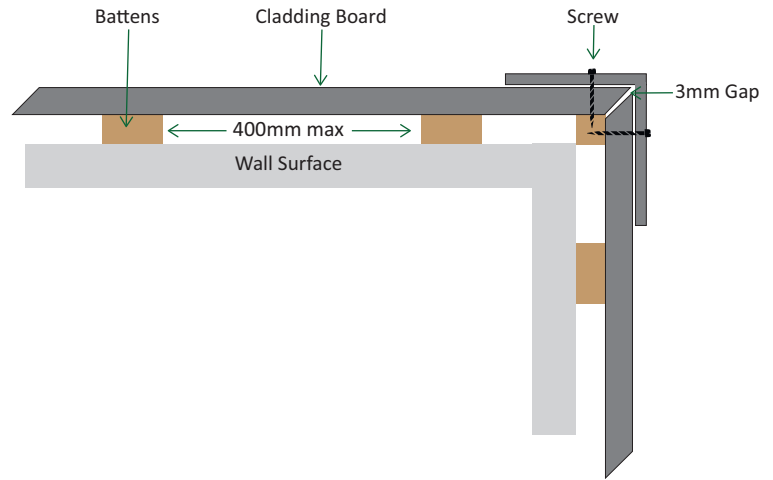


The boards will now interlock as shown.

Internal Corner Detail



External corner using 60 x 60 L-shape trim



Screw holes must be pre-drilled

Colour Expectancy

Our composite products are man-made and are subject to fade due to sun bleaching. We use a recycled product, thus colour variations are expected.

Due to the natural wood within the board composition, water-marks can appear after wetting. This is a natural process and is temporary until the boards fully acclimatise. These marks can be removed with cleaning or left to naturally fade away.

Our warranty does not cover colour fade, water marks or discoloration or stains on our products. Colour variations may occur in different batches. Wherever possible we advise that you purchase enough of the product at the same time to complete your project.

DISCLAIMER

The information provided in this manual is based on the guidelines for the installation of Specialised Panel Products Ltd. "Perennial" wood plastic composite cladding for domestic properties only. This manual does not cover any guidance for commercial projects due to the complexity of commercial designs. Please contact our commercial department for further information. This general guide may not cover every scenario envisaged. It will be solely the responsibility of the installer for the installation methods they use and the performance as every installation can differ and may be unique. We recommend that all designs should be reviewed by a licensed architect or engineer before installation commences, and that every plan or design meets building regulations and permission has been granted (if required) before installation commences. Please use suitably qualified personnel to prevent injuries or accidents.