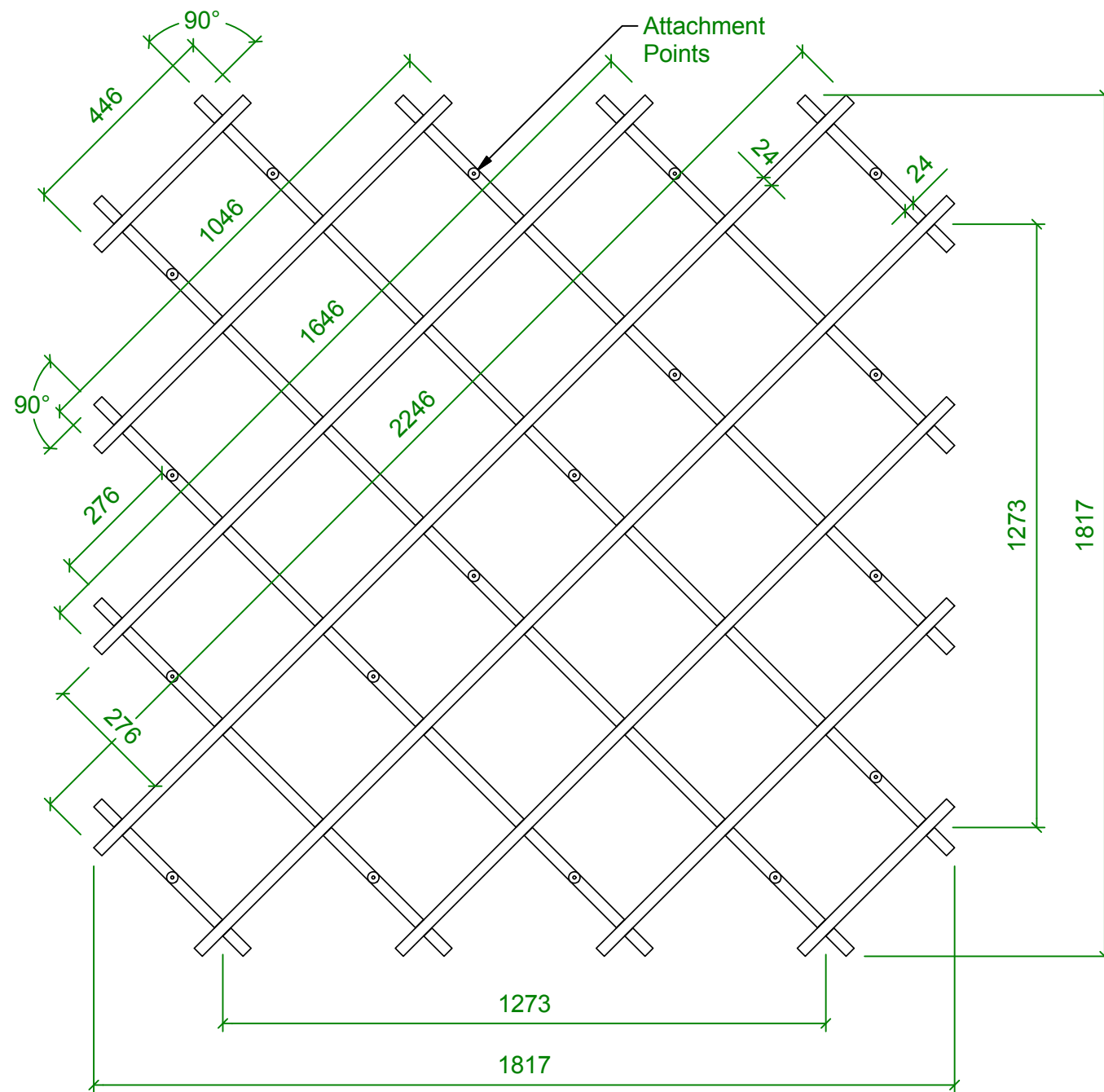
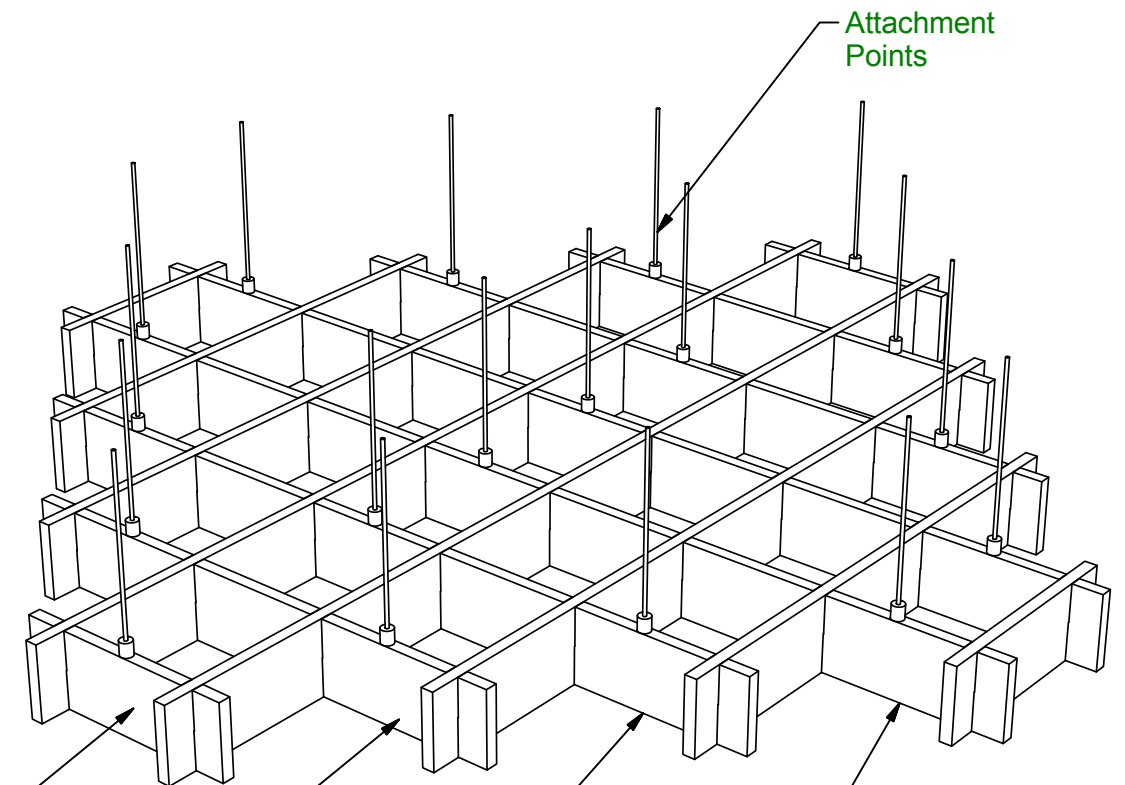


1817x1817 fixture
SIDE VIEW



1817x1817 fixture
TOP VIEW



1817x1817 fixture
ISO VIEW

① 4x.
446x150

② 4x.
1046x150

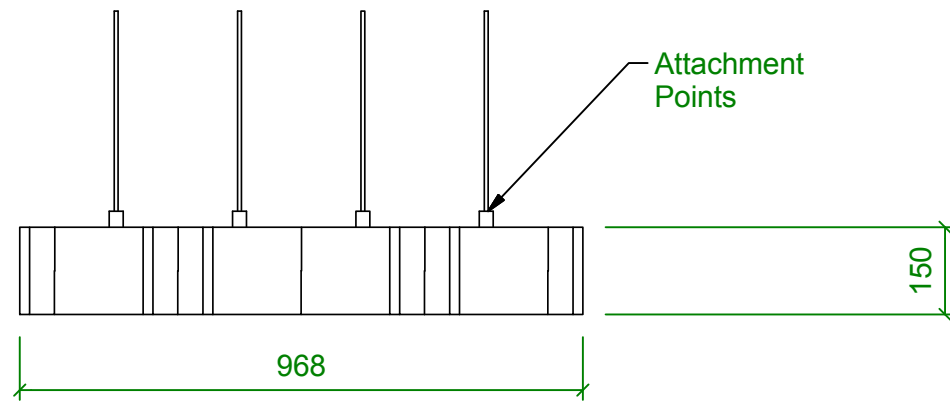
④ 4x.
1646x150

⑤ 4x.
2246x150

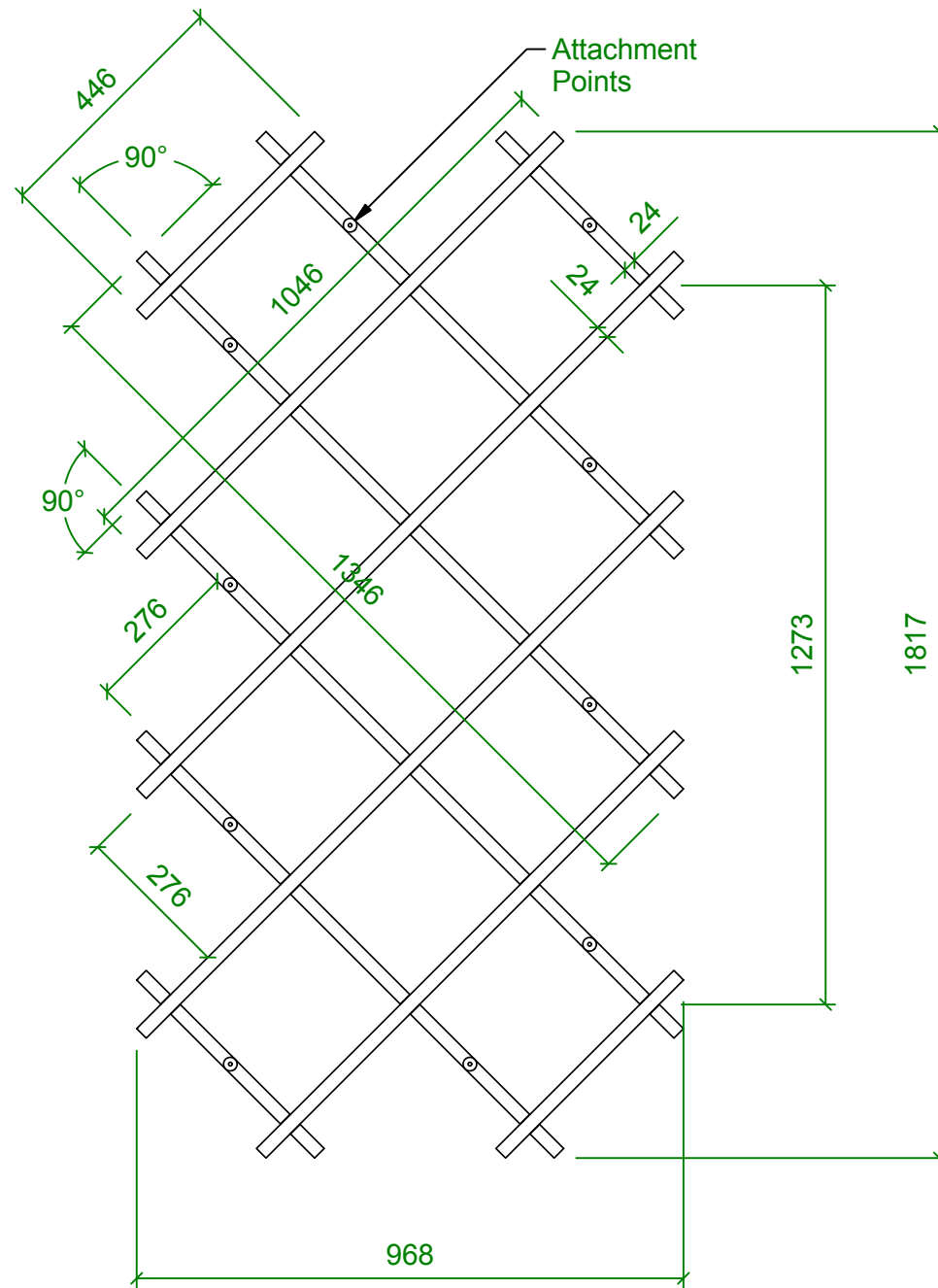
- ① 446X150 4X
- ② 1046X150 4X
- ④ 1646X150 4X
- ⑤ 2246X150 4X

QTY -10 pcs.

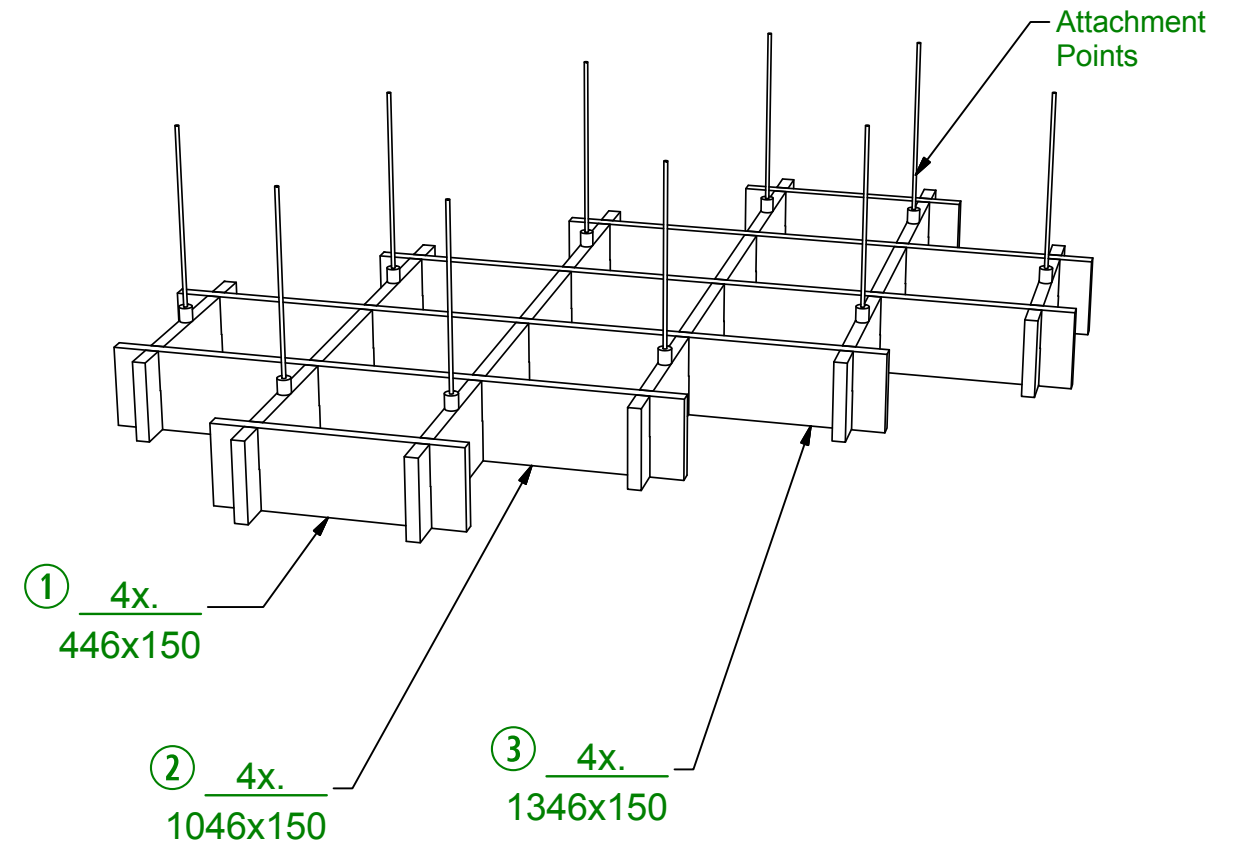
| | | | | |
|-------------------|-------------------------|--|-----------------------------|----------------------------|
| Drawn by M. D. | Created by SOUNDTECT | Approved by | Creation Date 13.12.2017 | Print Date 14.12.2017 |
| | | Sheet Name FREESTYLE 1817X1817 ASSEMBLY | | Size A3 |
| | | Project Title Cork Airport | | Revision Sheet 1 / 5 |



1817x968 fixture
SIDE VIEW



1817x968 fixture
TOP VIEW

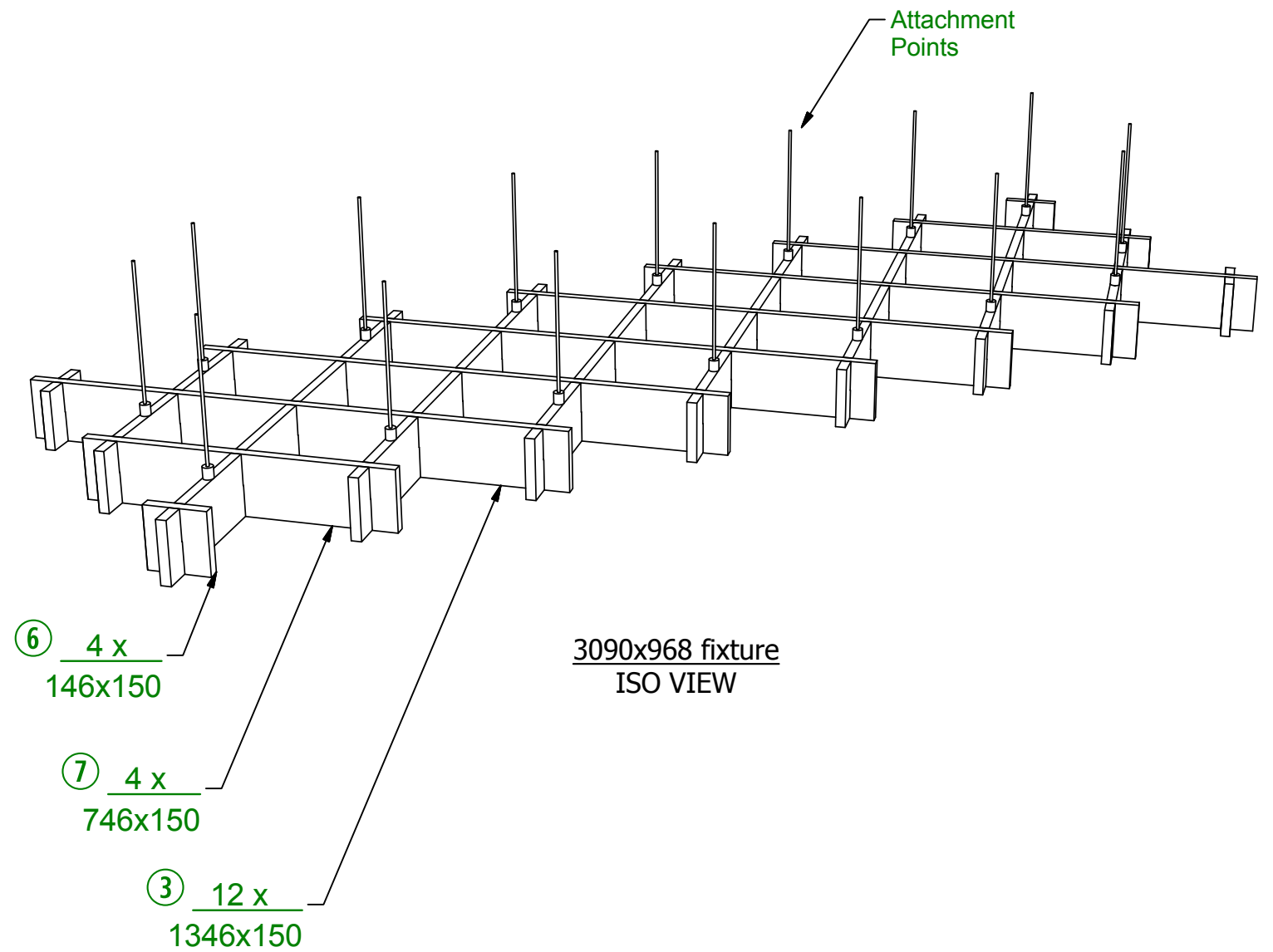
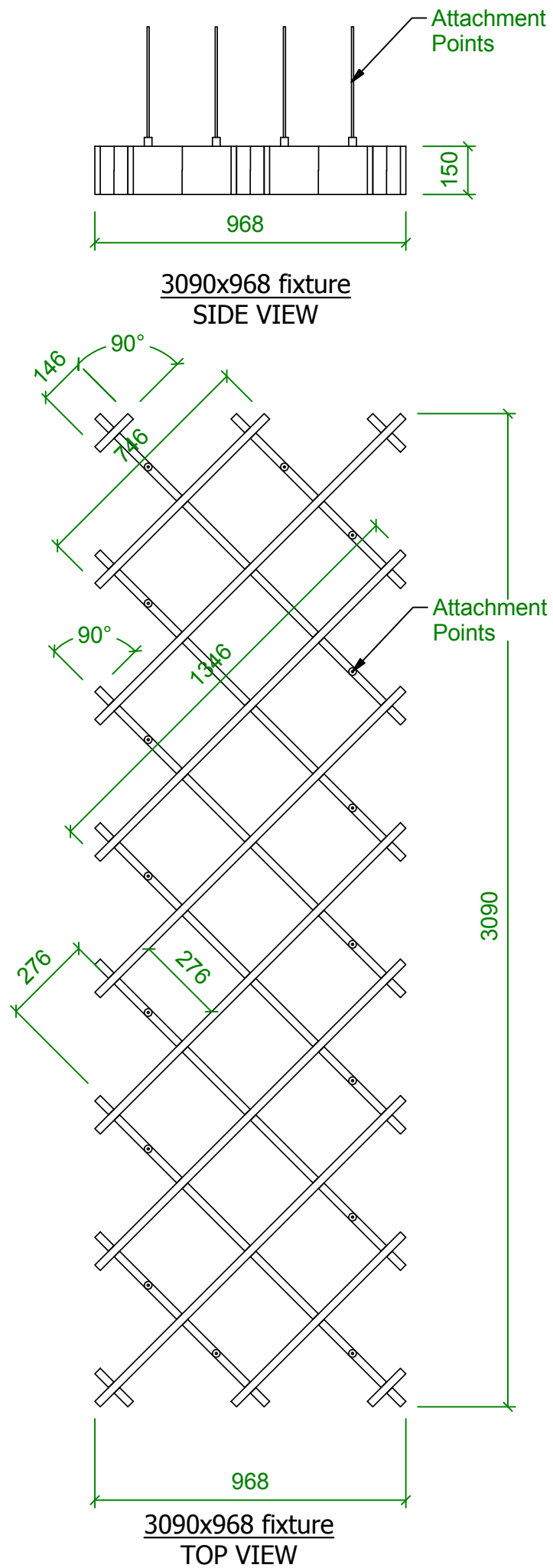


1817x968 fixture
ISO VIEW

- ① 446X150 4X
- ② 1046X150 4X
- ③ 1346X150 4X

QTY -2 pcs.

| | | | | |
|-------------------|-------------------------|---|-----------------------------|----------------------------|
| Drawn by M. D. | Created by SOUNDTECT | Approved by | Creation Date 13.12.2017 | Print Date 14.12.2017 |
| | | Sheet Name FREESTYLE 1817X968 ASSEMBLY | | Size A3 |
| | | Project Title Cork Airport | | Revision Sheet 2 / 5 |



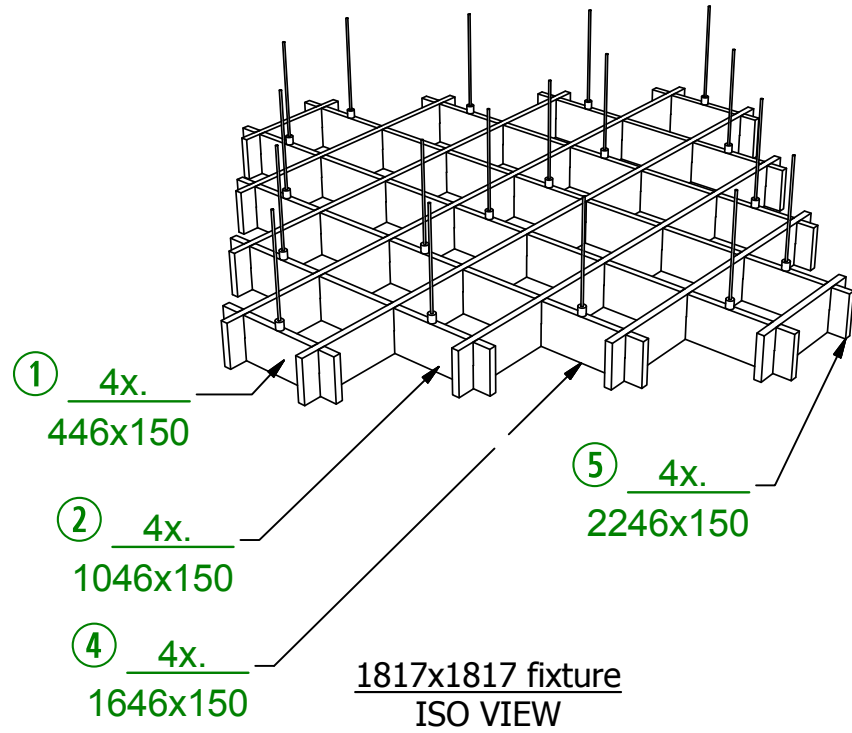
- ⑥ 146X150 4X
- ⑦ 746X150 4X
- ③ 1346X150 12X

QTY - 1 piece

| | | | | |
|-------------------|-------------------------|---|-----------------------------|----------------------------|
| Drawn by M. D. | Created by SOUNDTECT | Approved by | Creation Date 13.12.2017 | Print Date 14.12.2017 |
| | | Sheet Name FREESTYLE 3090X968 ASSEMBLY | | Size A3 |
| | | Project Title Cork Airport | | Revision Sheet 3 / 5 |

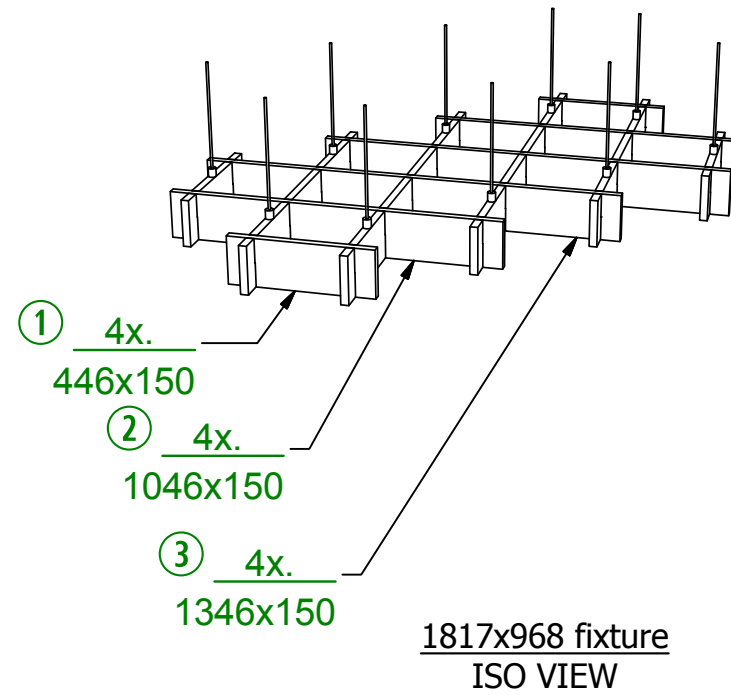
- ① 446X150 4X
- ② 1046X150 4X
- ④ 1646X150 4X
- ⑤ 2246X150 4X

QTY -10 pcs.



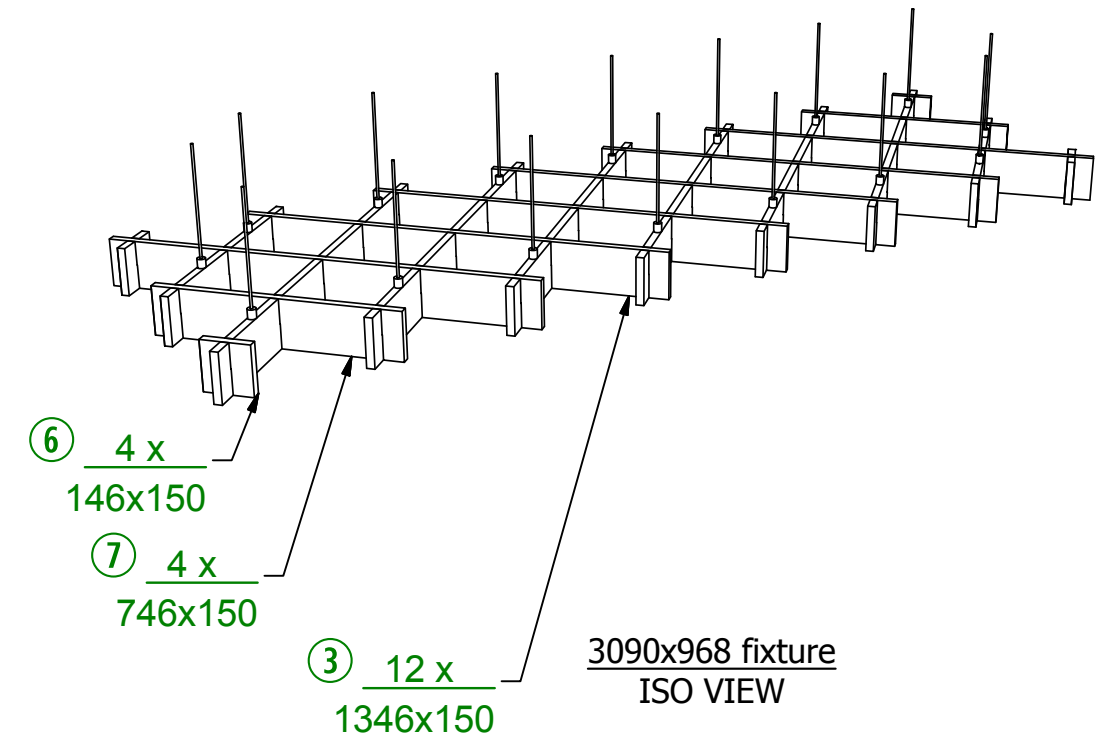
- ① 446X150 4X
- ② 1046X150 4X
- ③ 1346X150 4X

QTY - 2 pcs.



- ⑥ 146X150 4X
- ⑦ 746X150 4X
- ③ 1346X150 12X

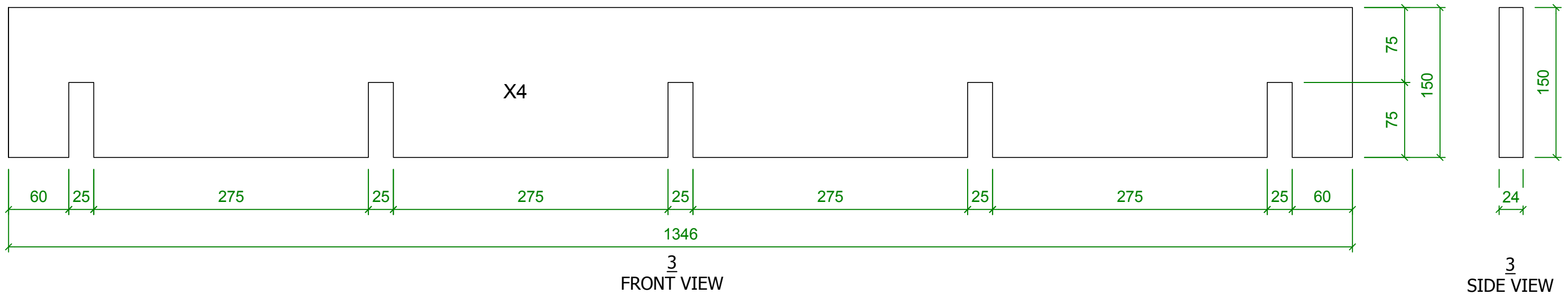
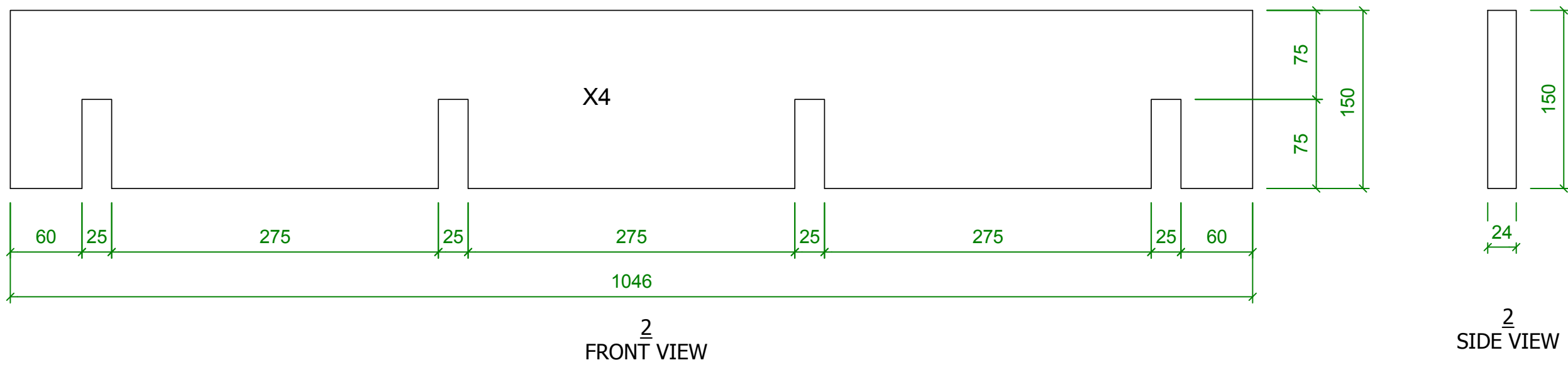
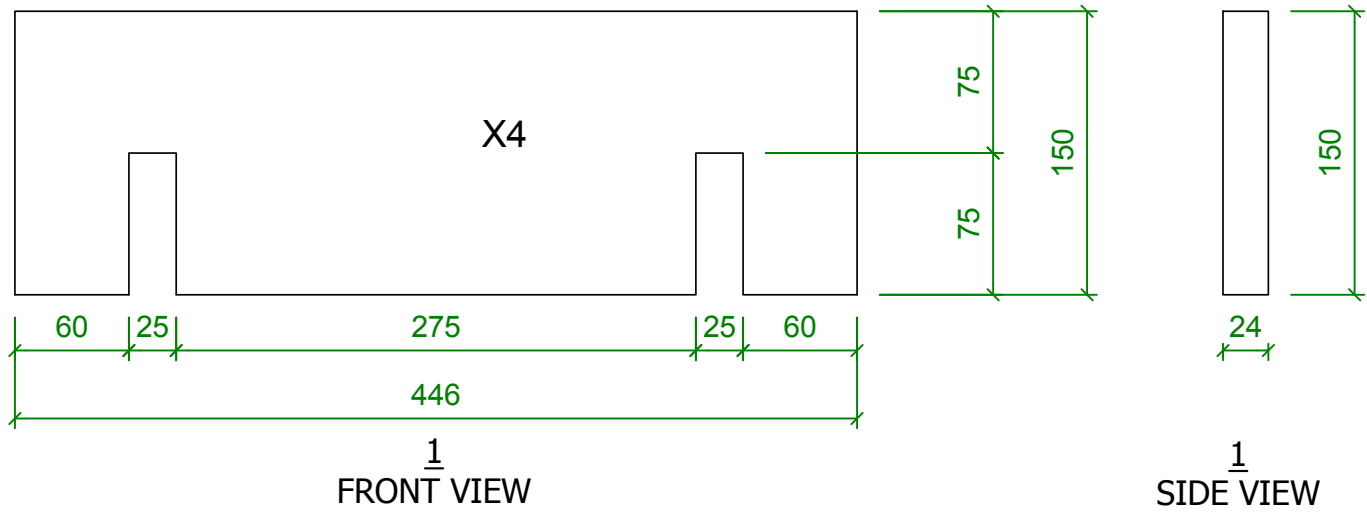
QTY -1 piece



TOTAL(13 PANELS)

- ① 446X150 8X
- ② 1046X150 8X
- ③ 1346X150 16X
- ④ 1646X150 4X
- ⑤ 2246X150 4X
- ⑥ 146X150 4X
- ⑦ 746X150 4X

| | | | | |
|-------------------|-------------------------|------------------------------------|-----------------------------|----------------------------|
| Drawn by M. D. | Created by SOUNDTECT | Approved by | Creation Date 13.12.2017 | Print Date 14.12.2017 |
| | | Sheet Name PANELS SPECIFICATION | | Size A3 |
| | | Project Title Cork Airport | | Revision Sheet 4 / 5 |



NOTE: Tab width is 25mm, for assembling pupose (finishing laquer)

| | | | | |
|-------------------|-------------------------|---|-----------------------------|----------------------------|
| Drawn by M. D. | Created by SOUNDTECT | Approved by | Creation Date 13.12.2017 | Print Date 14.12.2017 |
| | | Sheet Name FREESTYLE I817X968 PANELS | | Size A3 |
| | | Project Title Cork Airport | | Revision Sheet 5 / 5 |