



acoura

Discover the stylish, versatile and aesthetic freestyle

This lightweight ceiling system, manufactured from 70% recycled PET, is the new acoustic solution from Soundtect.

Manufactured U shape channels nestle quietly with a hidden unique, but carefully engineered, easy to install fixing method, for wall to wall acoustic ceiling applications. ACOURA, available in 24 colours and a variety of widths and depths, offers unbridled reverberation control and a beautiful, serene addition to any room.

KEY FEATURES & BENEFITS

- Elevated design potential
- Incredible versatility
- Available in 24 colours
- Create bespoke designs in specific corporate or design colours
- Hung from ceilings to create a harmonious finish with superb sound control properties
- Finely turned reverberation thanks to Soundtect's pioneering acoustic technology
- Environmentally friendly and recyclable, Freestyle™ Acoustic Panels are ideal for projects when there is an eco-conscious consideration to be made
- Manufactured by Soundtect®
- Independently certified
- Excellent sound absorption

freestyle

Colour range



Product Specifications

TYPICAL APPLICATIONS

Wall Coverings

- Composition: 100% Polyester
- Low VOC
- Colour Fastness Properties
 - Colorfastness to Light, AATCC16(3), Class 4.5
- ISO 14006 Certified Manufacturing Facility
- Certified 100% Recyclable
- Recycled Content: Up to 70% (min. 50% post consumer recycled content)

FIRE RATING

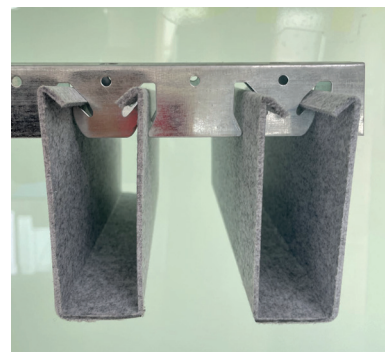
- EN13501, Bs1d0

SIZE

- Baffle Width: 20mm and up
- Baffle Depth: 55mm and up
- Baffle Length: 1200mm to 3000mm (continuous)
- Baffle Spacing: 5mm, 10mm, 15mm+, Bespoke spacing possible.

Moisture Absorption

Polyester fibre when exposed to an atmosphere of 50°C at 90% relative humidity for four days showed moisture absorption of less than 0.03% by weight. Polyester is not affected by moisture.



ACOUSTIC PROPERTIES

NRC expected 0.85 - test results pending

INSTALLATION

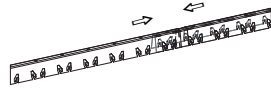
- Ceiling Freestyle™ coverings.

Does not contain any Red List chemicals*.

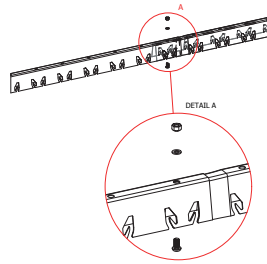
Installation Method



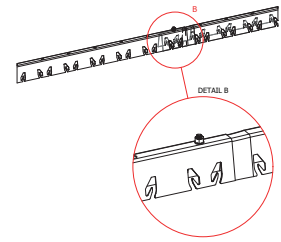
1.



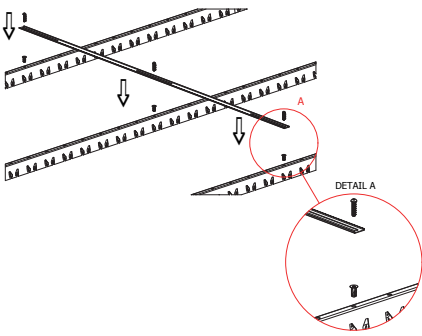
2.



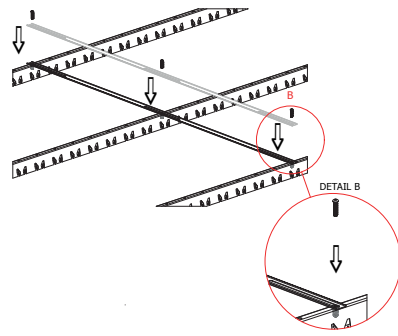
3.



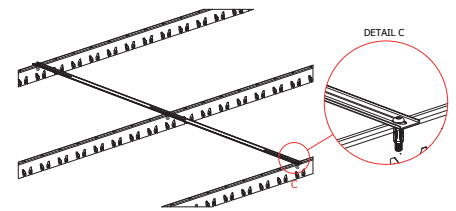
4.



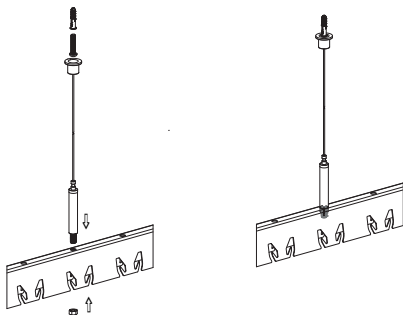
5.



6.



8.



NOTE: PLEASE USE SUITABLE CEILING ANCHOR

9.