

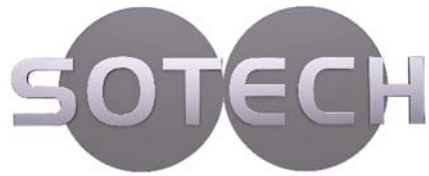


SOTECH

SOTECH OPTIMA XPC

Secret fix extruded horizontal plank system, complete with rail and bracket support.

System Fully Independently CWCT Tested and Certified.

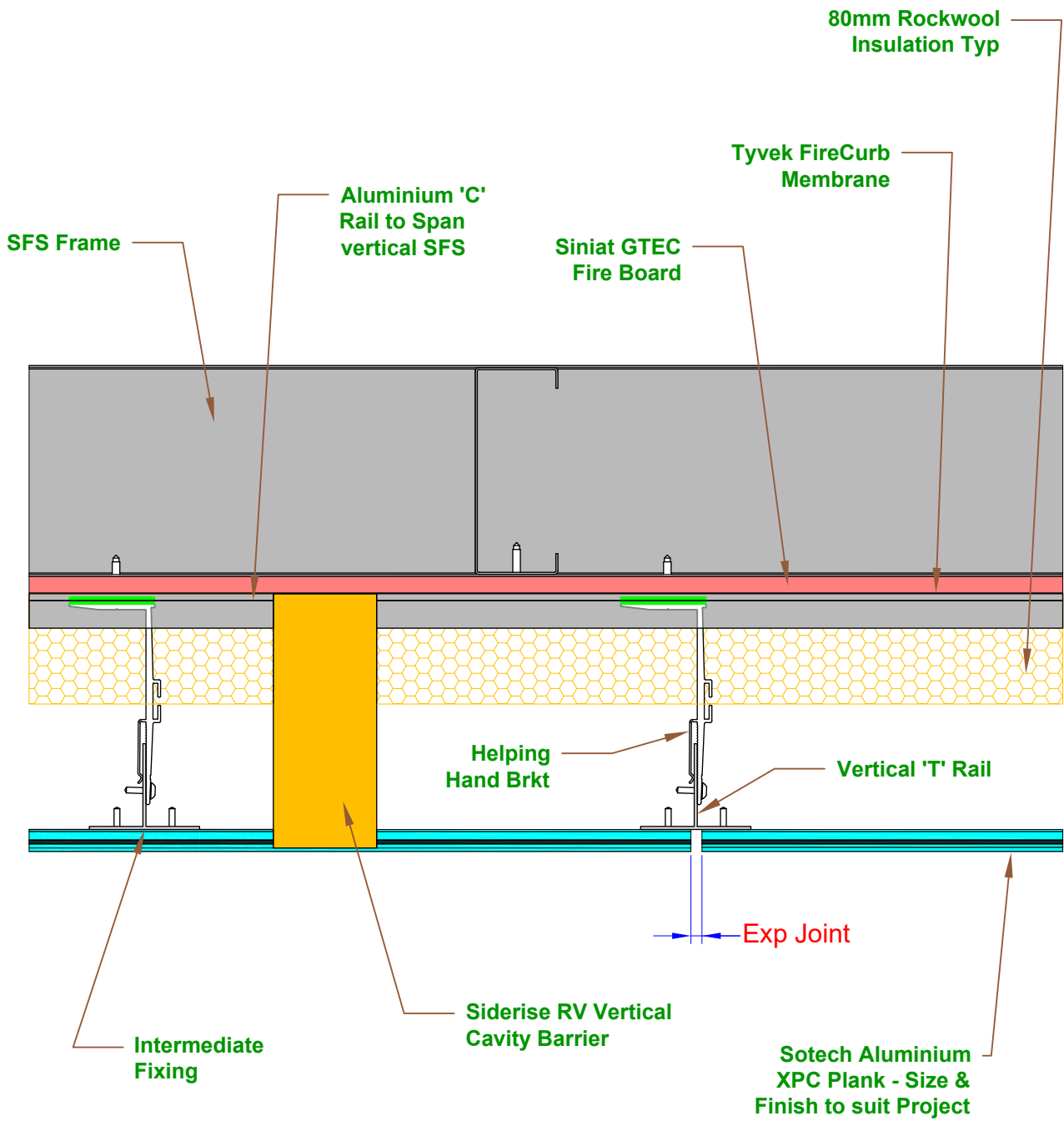


Contents

Sotech Optima XPC, Solid Aluminium System Details

2.	Vertical Joint / Intermediate Fixing	XPC-HZ-VERT JOINT
3.	Horizontal Joint	XPC-HZ-STD JOINTS
4.	Coping Detail	XPC-HZ COPING
5.	Drip / Cill Detail	XPC-HZ-DRIP/CILL
6.	Window Jamb	XPC-HZ-WINDOW JAMB
7.	Window Head	XPC-HZ-WINDOW HEAD
8.	Window Cill	XPC-HZ-WINDOW CILL
9.	External Corner	XPC-HZ-EXT CORNER
10.	Internal Corner	XPC-HZ-INT CORNER
11.	Façade Abutment Detail	XPC-FAÇADE-ABUT
12.	Horizontal to Vertical Detail	XPC-HZ-VT
13.	Horizontal to Vertical Corner Detail	XPC-HZ-VT-CORNER
14.	Eco XPC fixed back to tophats and insulated panel option	XPC-HZ-TH-FIX
15.	Bracket Zones	XPC-BRKT-ZONES
16.	Bracket to rail fixing detail	XPC-BRKT-FIX
17.	Vertical Joint / Intermediate Fixing	XPC-VT-STD JOINT
18.	Horizontal Joint	XPC-VT-HORIZ JOINTS
19.	Coping Detail	XPC-VT-COPING
20.	Drip / Cill Detail	XPC-VT-DRIP/CILL
21.	Window Jamb	XPC-VT-WINDOW JAMB
22.	Window Head	XPC-VT-WINDOW HEAD
23.	Window Cill	XPC-VT-WINDOW CILL
24.	External Corner	XPC-VT-EXT CORNER
25.	Internal Corner	XPC-VT-INT CORNER
26.	Façade Abutment Detail	XPC-VT-FAÇADE-ABUT
27.	Horizontal to Vertical Detail	XPC-HZ-VT
28.	Horizontal to Vertical Corner Detail	XPC-VT-HZ-CRNR
29.	Eco XPC fixed back to tophats and insulated panel option	XPC-VT-TH-FIX
30.	Bracket Zones	XPC-VT-BRKT-ZONES
31.	Bracket to rail fixing detail	XPC-VT-BRKT-FIX

THE INFORMATION DEPICTED IS CONFIDENTIAL AND REMAINS THE PROPERTY OF SOTECH LTD. IT MUST NOT BE COPIED BY ANY MEANS AND MUST NOT BE DIVULGED TO THIRD PARTIES WITHOUT EXPRESS WRITTEN PERMISSION FROM SOTECH LTD. © SOTECH-OPTIMA.



Notes:

Fireboards, Insulation, Membranes and Cavity Barriers as supplied to fire tests performed by Sotech and tested BS8414-2 and is compliant to BR135.

Sotech reserve the right to update details at any time



2 Traynor Way,
Whitehouse Business Park,
Peterlee, Co. Durham,
SR8 2RU

www.sotech-optima.co.uk

Email : technical@sotech-optima.co.uk

General Tel : 0191 5872287

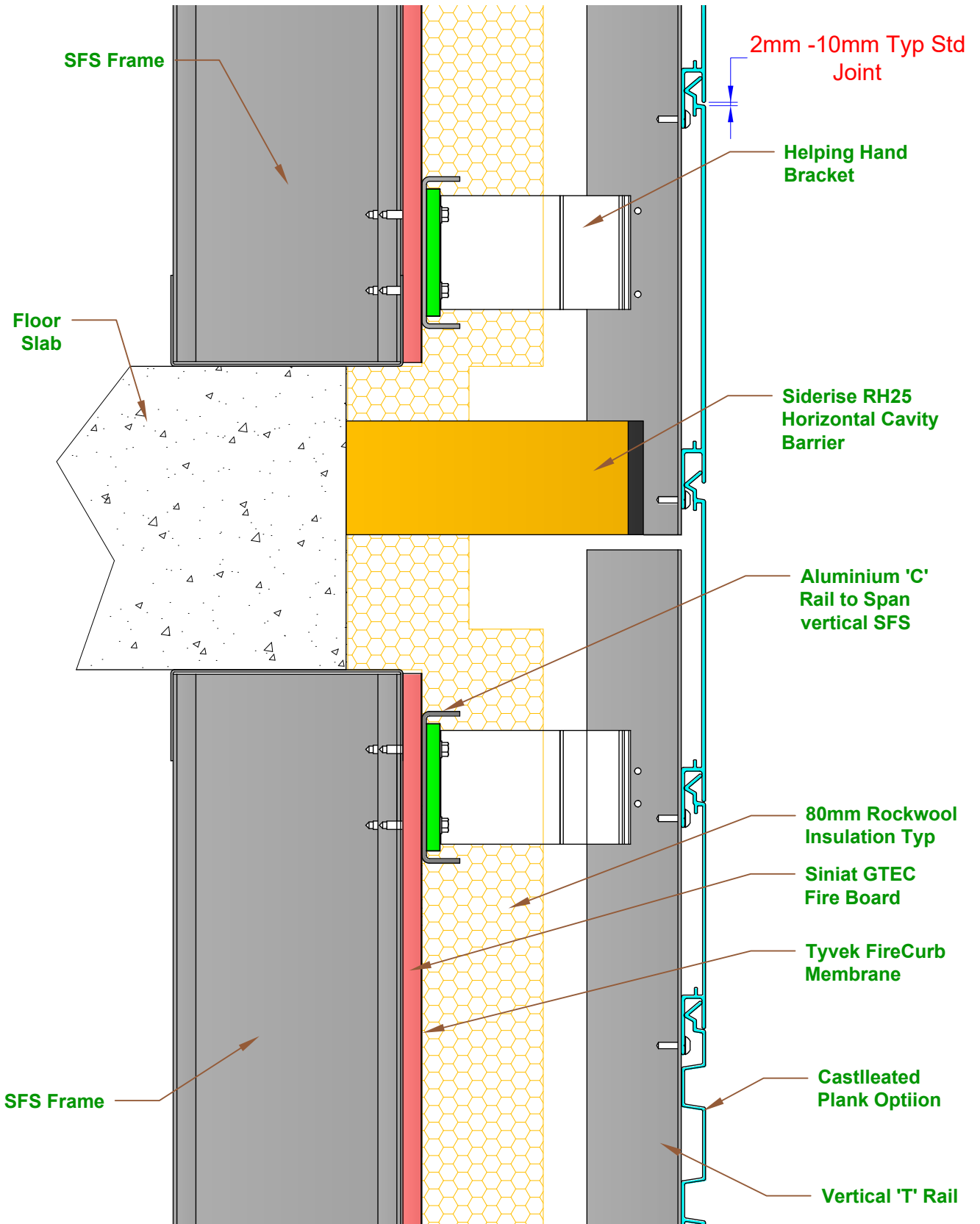
Technical Tel : 0191 5879213

Title: **Vertical Joint / Intermediate Fixing**

Date: 4-Mar-19	Drawn: TR	Scale: Do Not Scale	A4
--------------------------	---------------------	-------------------------------	-----------

Drawing No: XPC-HZ-VERT JOINT	Rev: 0
---	------------------

THE INFORMATION DEPICTED IS CONFIDENTIAL AND REMAINS THE PROPERTY OF SOTECH LTD. IT MUST NOT BE COPIED BY ANY MEANS AND MUST NOT BE DIVULGED TO THIRD PARTIES WITHOUT EXPRESS WRITTEN PERMISSION FROM SOTECH LTD. © SOTECH-OPTIMA.



Notes:

Fireboards, Insulation, Membranes and Cavity Barriers as supplied to fire tests performed by Sotech and tested BS8414-2 and is compliant to BR135.

Sotech reserve the right to update details at any time



2 Traynor Way,
Whitehouse Business Park,
Peterlee, Co. Durham,
SR8 2RU

www.sotech-optima.co.uk
Email : technical@sotech-optima.co.uk

General Tel : 0191 5872287
Technical Tel : 0191 5879213

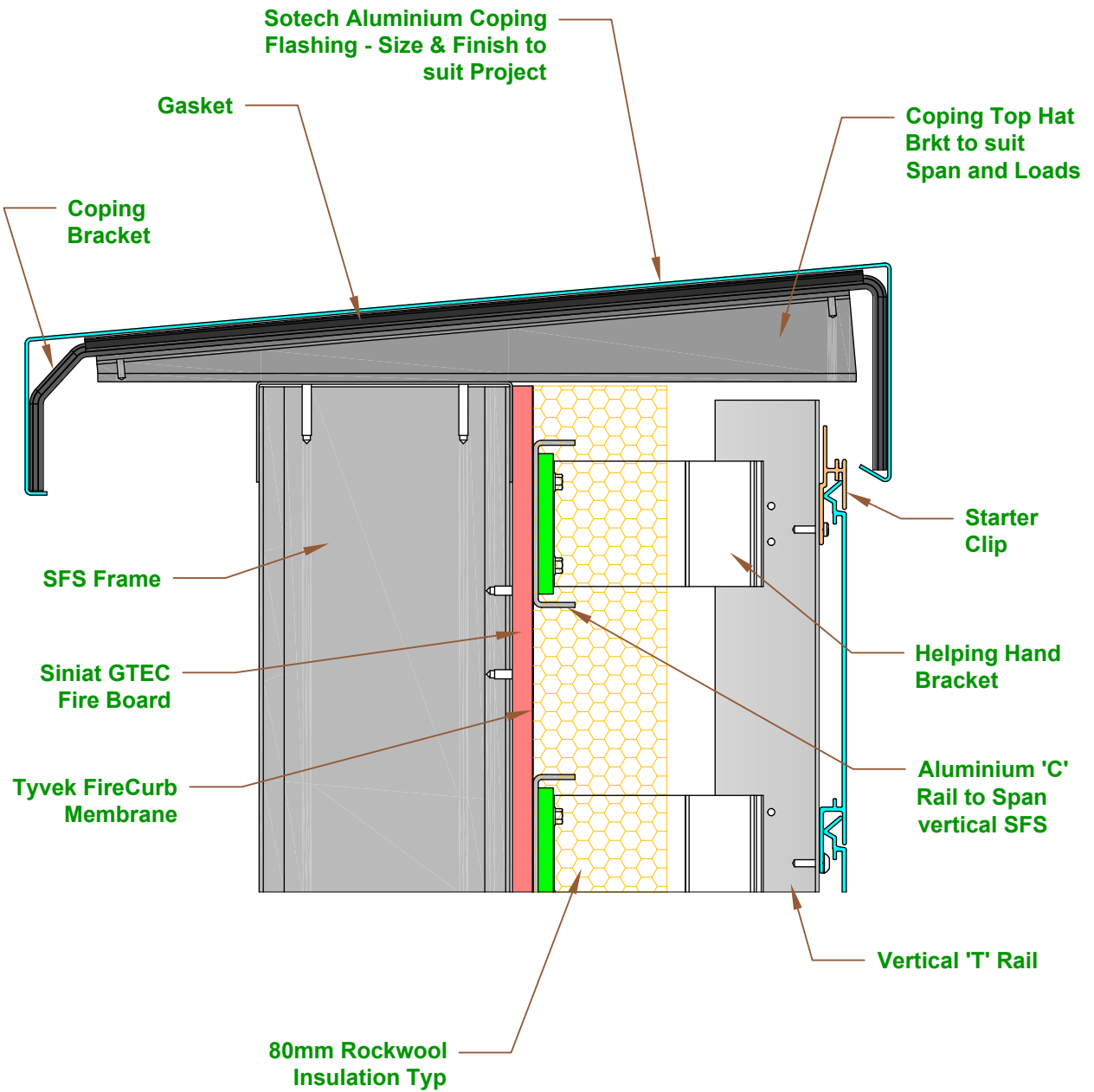
Title:

Horizontal Joint

Date: 4-Mar-19	Drawn: TR	Scale: Do Not Scale	A4
-------------------	--------------	------------------------	----

Drawing No: XPC-HZ-STD JOINTS	Rev: 0
---	------------------

THE INFORMATION DEPICTED IS CONFIDENTIAL AND REMAINS THE PROPERTY OF SOTECH LTD. IT MUST NOT BE COPIED BY ANY MEANS AND MUST NOT BE DIVULGED TO THIRD PARTIES WITHOUT EXPRESS WRITTEN PERMISSION FROM SOTECH LTD. © SOTECH-OPTIMA.



Notes:

Fireboards, Insulation, Membranes and Cavity Barriers as supplied to fire tests performed by Sotech and tested BS8414-2 and is compliant to BR135.

Sotech reserve the right to update details at any time



2 Traynor Way,
Whitehouse Business Park,
Peterlee, Co. Durham,
SR8 2RU

www.sotech-optima.co.uk

Email : technical@sotech-optima.co.uk

General Tel : 0191 5872287

Technical Tel : 0191 5879213

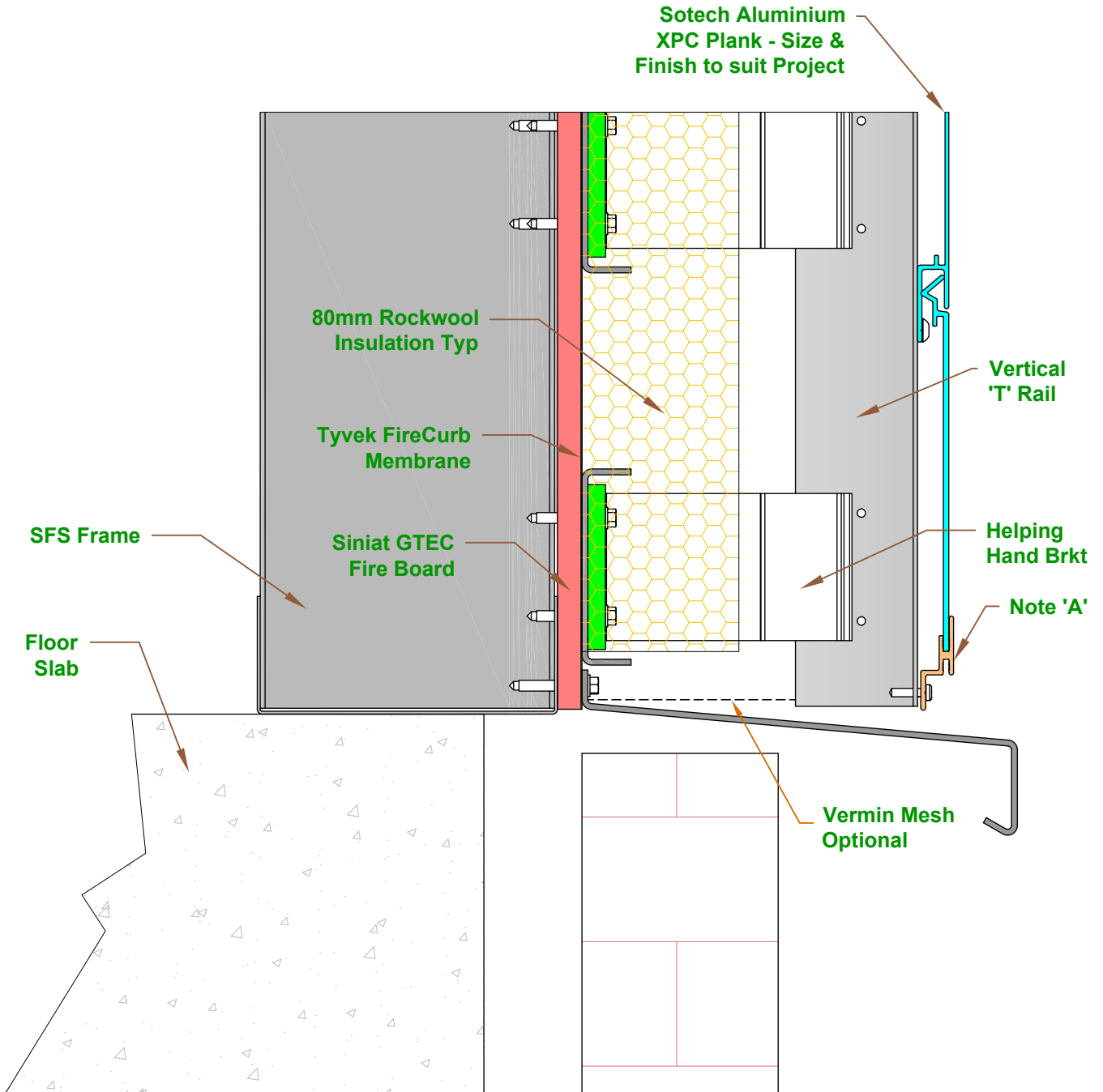
Title:

Coping Detail

Date: 4-Mar-19	Drawn: TR	Scale: Do Not Scale	A4
-------------------	--------------	------------------------	----

Drawing No: XPCHZ-COPING	Rev: 0
------------------------------------	------------------

THE INFORMATION DEPICTED IS CONFIDENTIAL AND REMAINS THE PROPERTY OF SOTECH LTD. IT MUST NOT BE COPIED BY ANY MEANS AND MUST NOT BE DIVULGED TO THIRD PARTIES WITHOUT EXPRESS WRITTEN PERMISSION FROM SOTECH LTD. © SOTECH-OPTIMA.



Notes:

Note A

A standard panel may be used if the fixing aligns with the bottom of the carrier rail.

Fireboards, Insulation, Membranes and Cavity Barriers as supplied to fire tests performed by Sotech and tested BS8414-2 and is compliant to BR135.

Sotech reserve the right to update details at any time



2 Traynor Way,
Whitehouse Business Park,
Peterlee, Co. Durham,
SR8 2RU

www.sotech-optima.co.uk

Email : technical@sotech-optima.co.uk

General Tel : 0191 5872287

Technical Tel : 0191 5879213

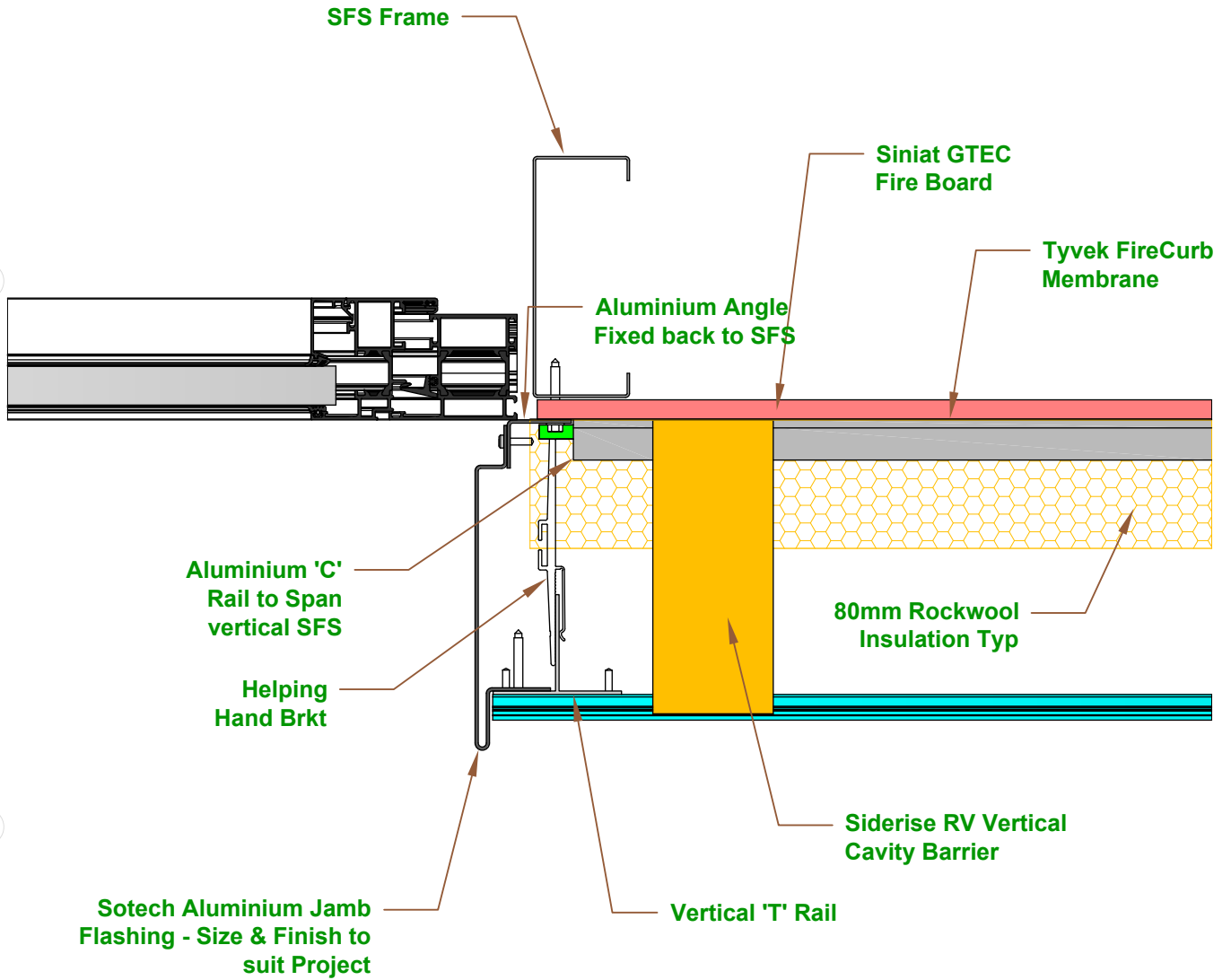
Title:

Drip/Cill Detail

Date: 16-Oct-19	Drawn: TR	Scale: Do Not Scale	A4
---------------------------	---------------------	-------------------------------	-----------

Drawing No: XPC-HZ-DRIP/CILL	Rev: 0
--	------------------

THE INFORMATION DEPICTED IS CONFIDENTIAL AND REMAINS THE PROPERTY OF SOTECH LTD. IT MUST NOT BE COPIED BY ANY MEANS AND MUST NOT BE DIVULGED TO THIRD PARTIES WITHOUT EXPRESS WRITTEN PERMISSION FROM SOTECH LTD. © SOTECH-OPTIMA.



Notes:

Fireboards, Insulation, Membranes and Cavity Barriers as supplied to fire tests performed by Sotech and tested BS8414-2 and is compliant to BR135.

Sotech reserve the right to update details at any time



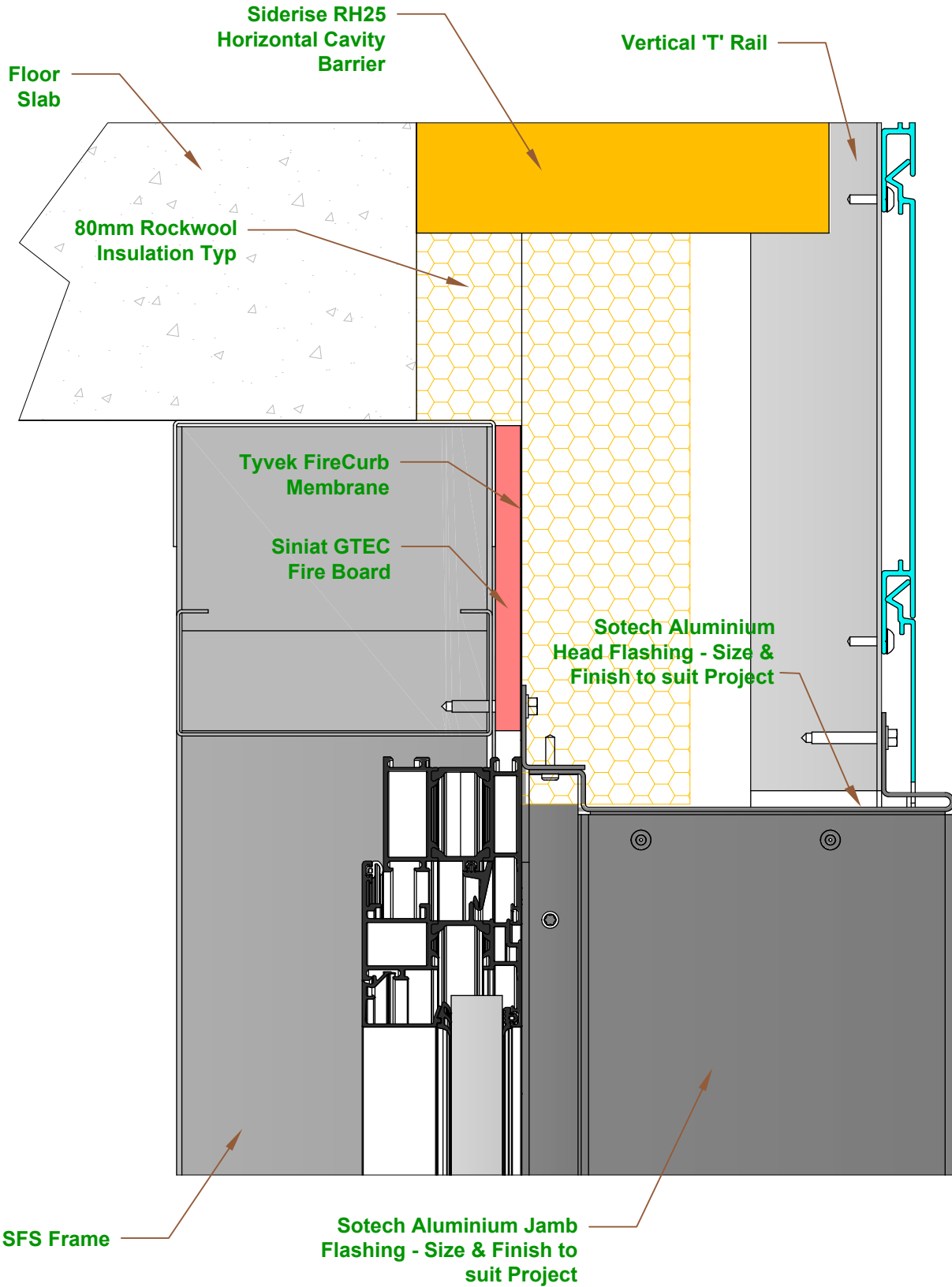
2 Traynor Way,
Whitehouse Business Park,
Peterlee, Co. Durham,
SR8 2RU

www.sotech-optima.co.uk
Email : technical@sotech-optima.co.uk

General Tel : 0191 5872287
Technical Tel : 0191 5879213

Title: Window Jamb			
Date: 16-Oct-19	Drawn: TR	Scale: Do Not Scale	A4
Drawing No: XPC-HZ-WINDOW JAMB			Rev: 0

THE INFORMATION DEPICTED IS CONFIDENTIAL AND REMAINS THE PROPERTY OF SOTECH LTD. IT MUST NOT BE COPIED BY ANY MEANS AND MUST NOT BE DIVULGED TO THIRD PARTIES WITHOUT EXPRESS WRITTEN PERMISSION FROM SOTECH LTD. © SOTECH-OPTIMA.



Notes:

Fireboards, Insulation, Membranes and Cavity Barriers as supplied to fire tests performed by Sotech and tested BS8414-2 and is compliant to BR135.

Sotech reserve the right to update details at any time



2 Traynor Way,
Whitehouse Business Park,
Peterlee, Co. Durham,
SR8 2RU

www.sotech-optima.co.uk

Email : technical@sotech-optima.co.uk

General Tel : 0191 5872287

Technical Tel : 0191 5879213

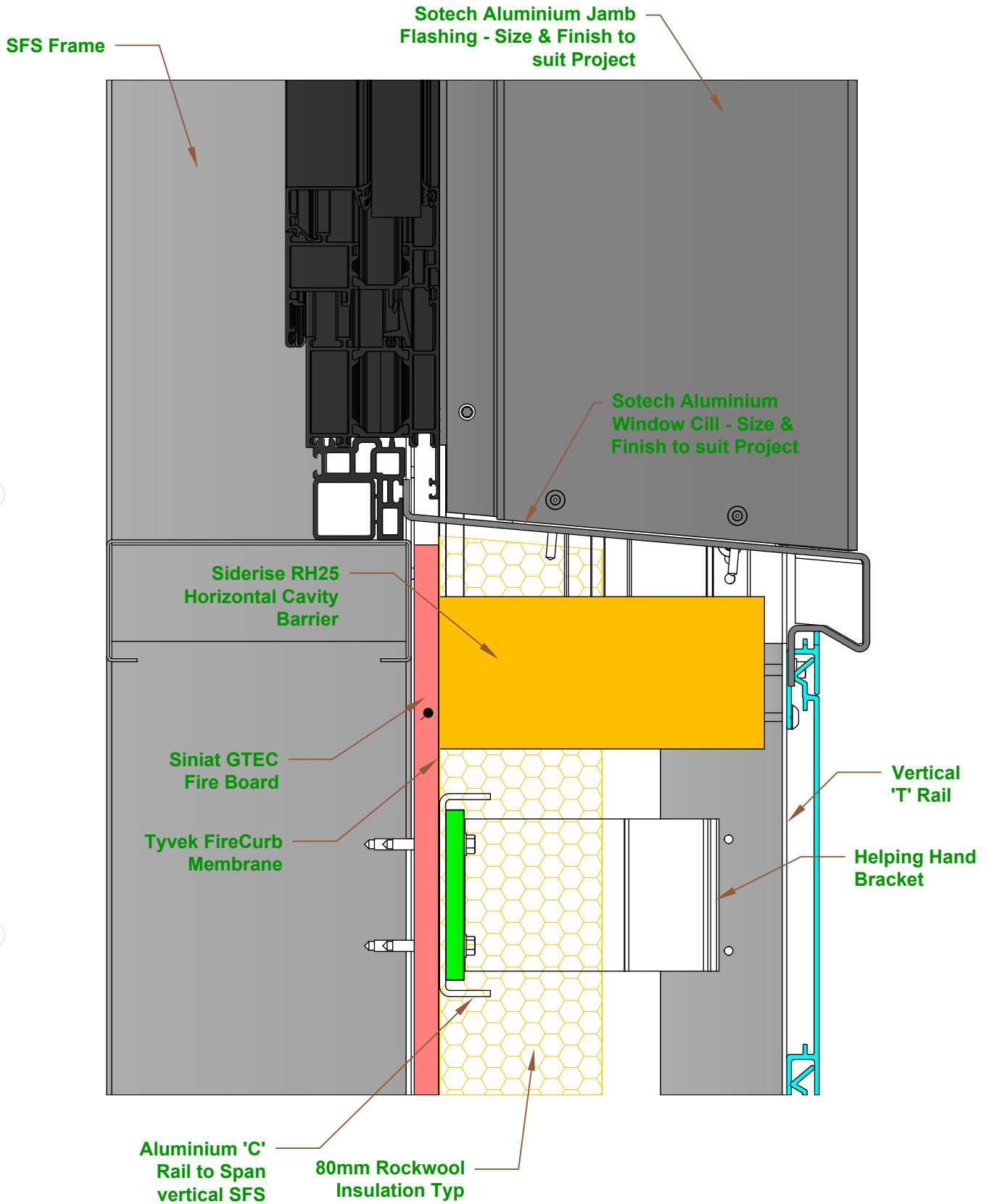
Title:

Window Head

Date: 16-Oct-19	Drawn: TR	Scale: Do Not Scale	A4
---------------------------	---------------------	-------------------------------	-----------

Drawing No: XPC-HZ-WINDOW HEAD	Rev: 0
--	------------------

THE INFORMATION DEPICTED IS CONFIDENTIAL AND REMAINS THE PROPERTY OF SOTECH LTD. IT MUST NOT BE COPIED BY ANY MEANS AND MUST NOT BE DIVULGED TO THIRD PARTIES WITHOUT EXPRESS WRITTEN PERMISSION FROM SOTECH LTD. © SOTECH-OPTIMA.



Notes:

Fireboards, Insulation, Membranes and Cavity Barriers as supplied to fire tests performed by Sotech and tested BS8414-2 and is compliant to BR135.

Sotech reserve the right to update details at any time



2 Traynor Way,
Whitehouse Business Park,
Peterlee, Co. Durham,
SR8 2RU

www.sotech-optima.co.uk

General Tel : 0191 5872287

Email : technical@sotech-optima.co.uk

Technical Tel : 0191 5879213

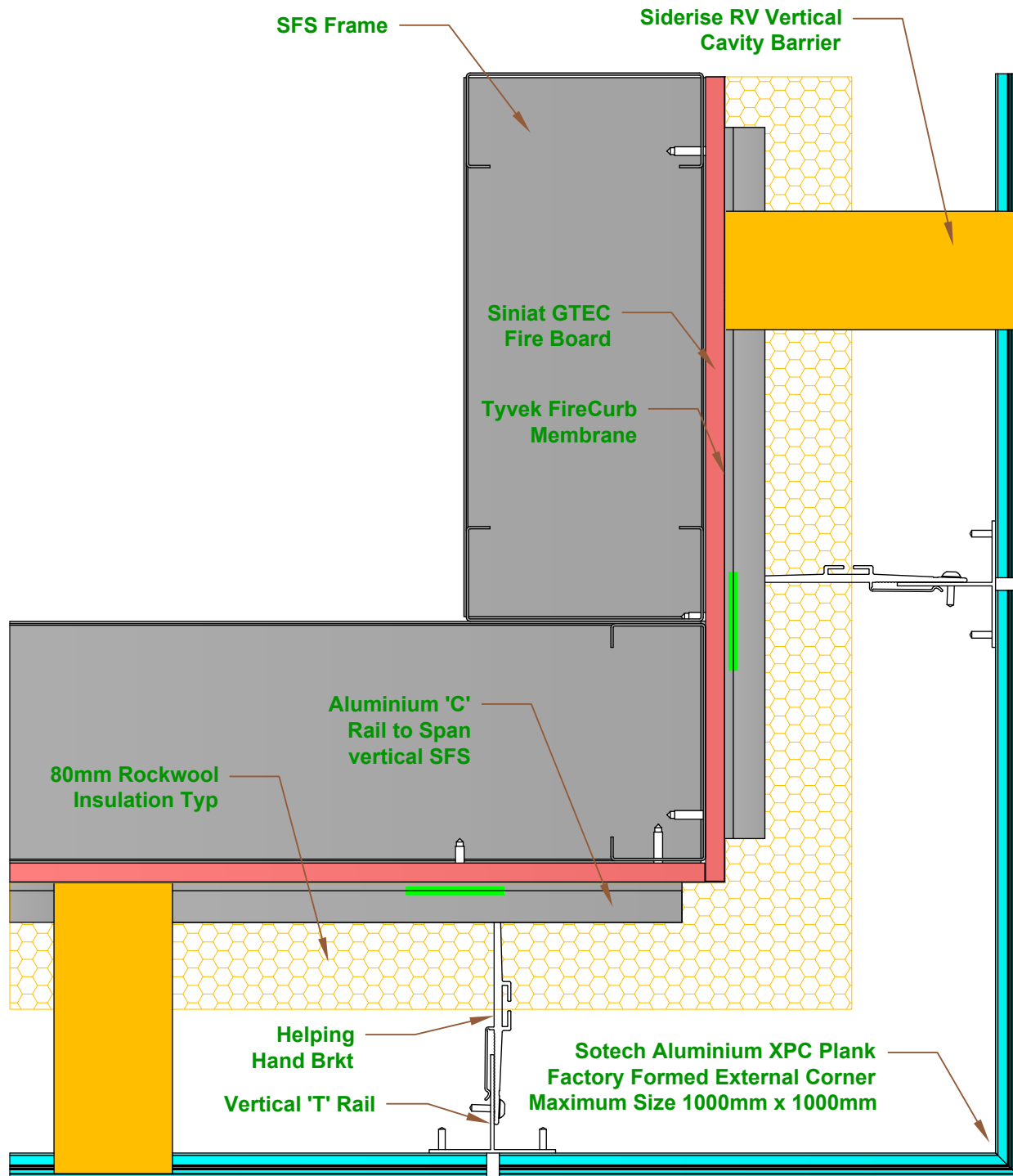
Title:

Window Cill

Date: 16-Oct-19	Drawn: TR	Scale: Do Not Scale	A4
---------------------------	---------------------	-------------------------------	-----------

Drawing No: XPC-HZ-WINDOW CILL	Rev: 0
--	------------------

THE INFORMATION DEPICTED IS CONFIDENTIAL AND REMAINS THE PROPERTY OF SOTECH LTD. IT MUST NOT BE COPIED BY ANY MEANS AND MUST NOT BE DIVULGED TO THIRD PARTIES WITHOUT EXPRESS WRITTEN PERMISSION FROM SOTECH LTD. © SOTECH-OPTIMA.



Notes:

Fireboards, Insulation, Membranes and Cavity Barriers as supplied to fire tests performed by Sotech and tested BS8414-2 and is compliant to BR135.

Sotech reserve the right to update details at any time



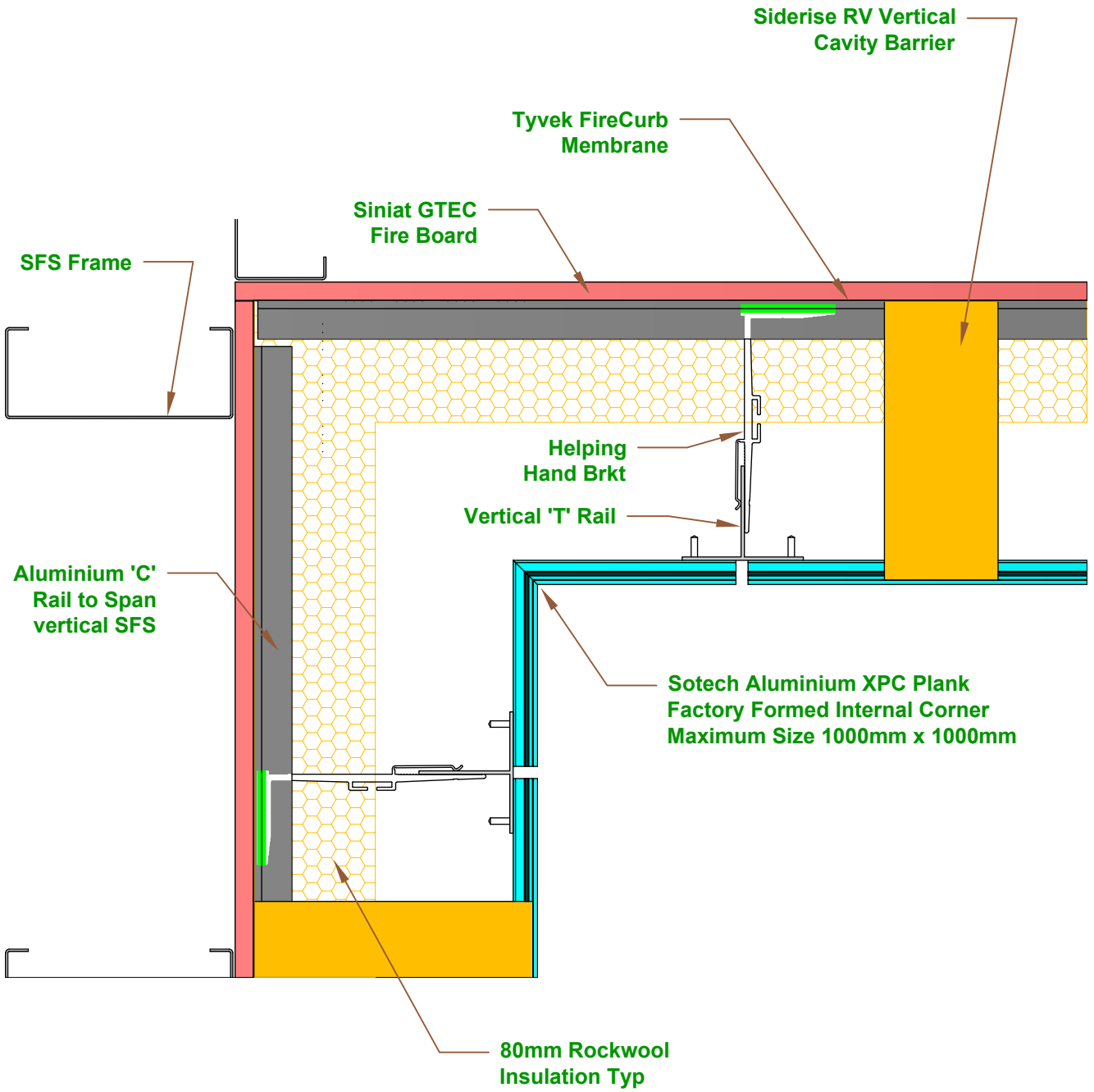
2 Traynor Way,
Whitehouse Business Park,
Peterlee, Co. Durham,
SR8 2RU

www.sotech-optima.co.uk
Email : technical@sotech-optima.co.uk

General Tel : 0191 5872287
Technical Tel : 0191 5879213

Title:			
External Corner			
Date:	Drawn:	Scale:	
16-Oct-19	TR	Do Not Scale	A4
Drawing No:			Rev:
XPC-HZ-EXT CORNER			0

THE INFORMATION DEPICTED IS CONFIDENTIAL AND REMAINS THE PROPERTY OF SOTECH LTD. IT MUST NOT BE COPIED BY ANY MEANS AND MUST NOT BE DIVULGED TO THIRD PARTIES WITHOUT EXPRESS WRITTEN PERMISSION FROM SOTECH LTD. © SOTECH-OPTIMA.



Notes:

Fireboards, Insulation, Membranes and Cavity Barriers as supplied to fire tests performed by Sotech and tested BS8414-2 and is compliant to BR135.

Sotech reserve the right to update details at any time



2 Traynor Way,
Whitehouse Business Park,
Peterlee, Co. Durham,
SR8 2RU

www.sotech-optima.co.uk

General Tel : 0191 5872287

Email : technical@sotech-optima.co.uk

Technical Tel : 0191 5879213

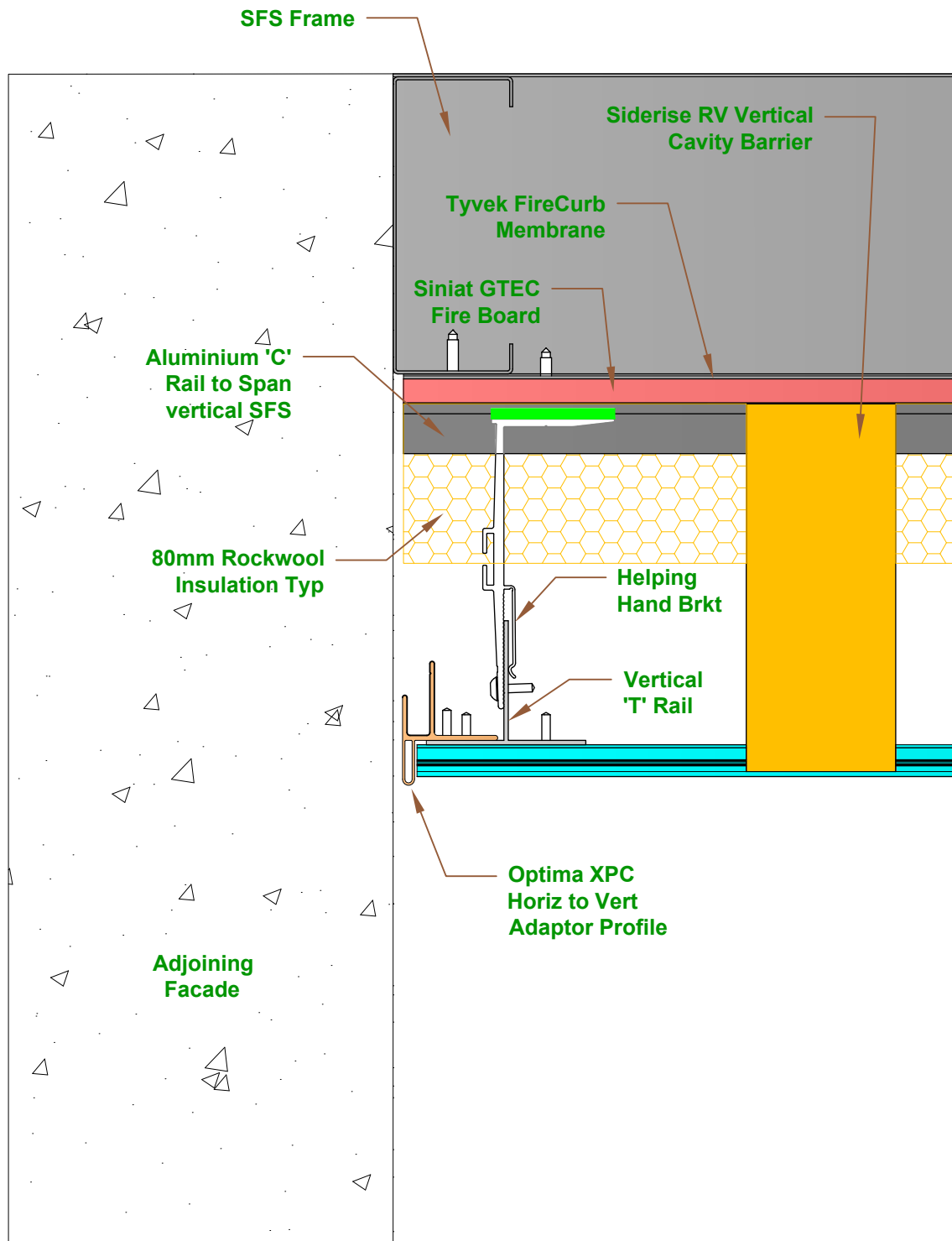
Title:

Internal Corner

Date: 16-Oct-19	Drawn: TR	Scale: Do Not Scale	A4
---------------------------	---------------------	-------------------------------	-----------

Drawing No: XPC-HZ-INT CORNER	Rev: 0
---	------------------

THE INFORMATION DEPICTED IS CONFIDENTIAL AND REMAINS THE PROPERTY OF SOTECH LTD. IT MUST NOT BE COPIED BY ANY MEANS AND MUST NOT BE DIVULGED TO THIRD PARTIES WITHOUT EXPRESS WRITTEN PERMISSION FROM SOTECH LTD. © SOTECH-OPTIMA.



Notes:

Fireboards, Insulation, Membranes and Cavity Barriers as supplied to fire tests performed by Sotech and tested BS8414-2 and is compliant to BR135.

Sotech reserve the right to update details at any time



2 Traynor Way,
Whitehouse Business Park,
Peterlee, Co. Durham,
SR8 2RU

www.sotech-optima.co.uk

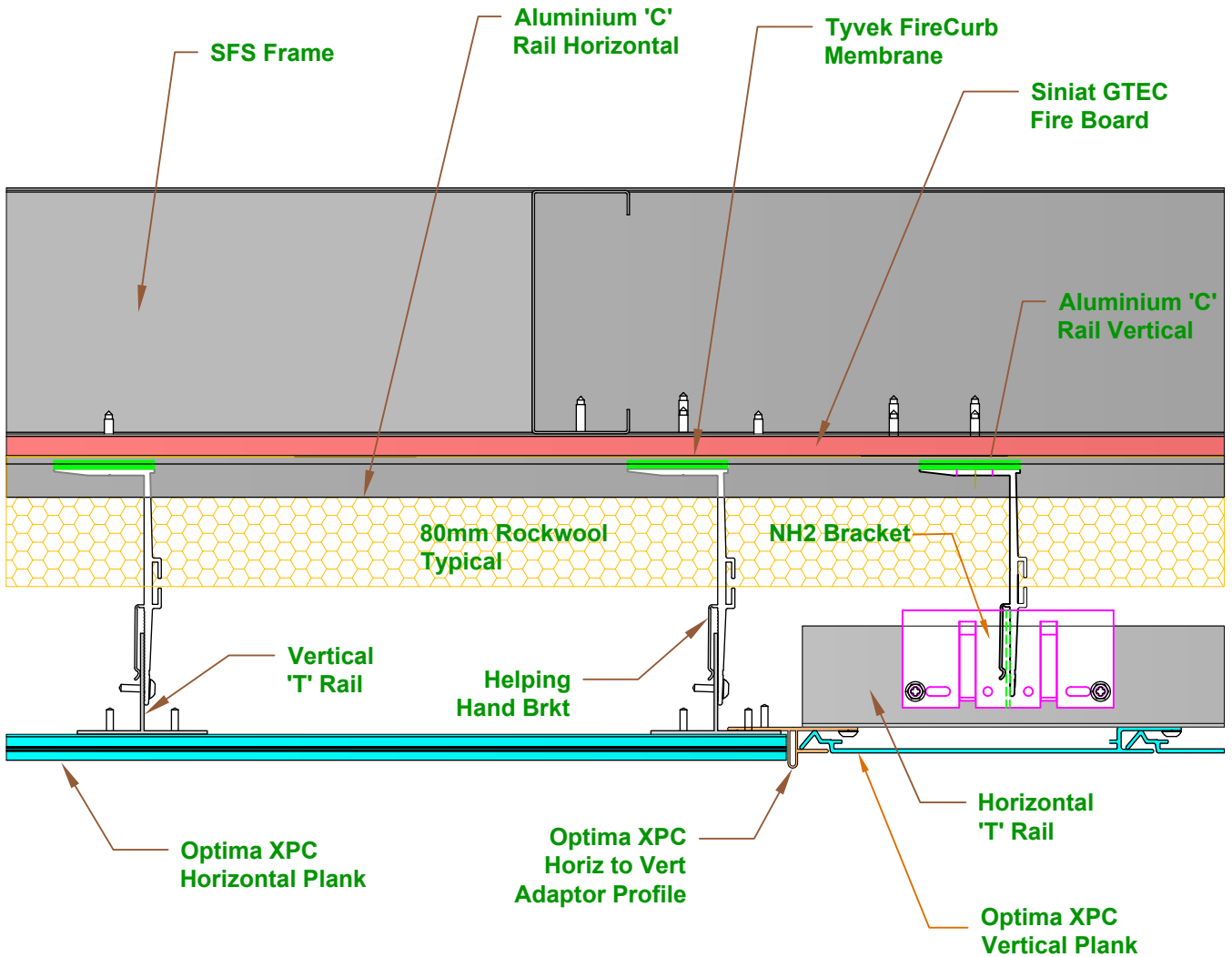
General Tel : 0191 5872287

Email : technical@sotech-optima.co.uk

Technical Tel : 0191 5879213

Title:			
Facade Abutment Detail			
Date:	Drawn:	Scale:	
16-Oct-19	TR	Do Not Scale	A4
Drawing No:			Rev:
XPC-HZ-FACADE-ABUT			0

THE INFORMATION DEPICTED IS CONFIDENTIAL AND REMAINS THE PROPERTY OF SOTECH LTD. IT MUST NOT BE COPIED BY ANY MEANS AND MUST NOT BE DIVULGED TO THIRD PARTIES WITHOUT EXPRESS WRITTEN PERMISSION FROM SOTECH LTD. © SOTECH-OPTIMA.



Notes:

Fireboards, Insulation, Membranes and Cavity Barriers as supplied to fire tests performed by Sotech and tested BS8414-2 and is compliant to BR135.

Sotech reserve the right to update details at any time



2 Traynor Way,
Whitehouse Business Park,
Peterlee, Co. Durham,
SR8 2RU

www.sotech-optima.co.uk

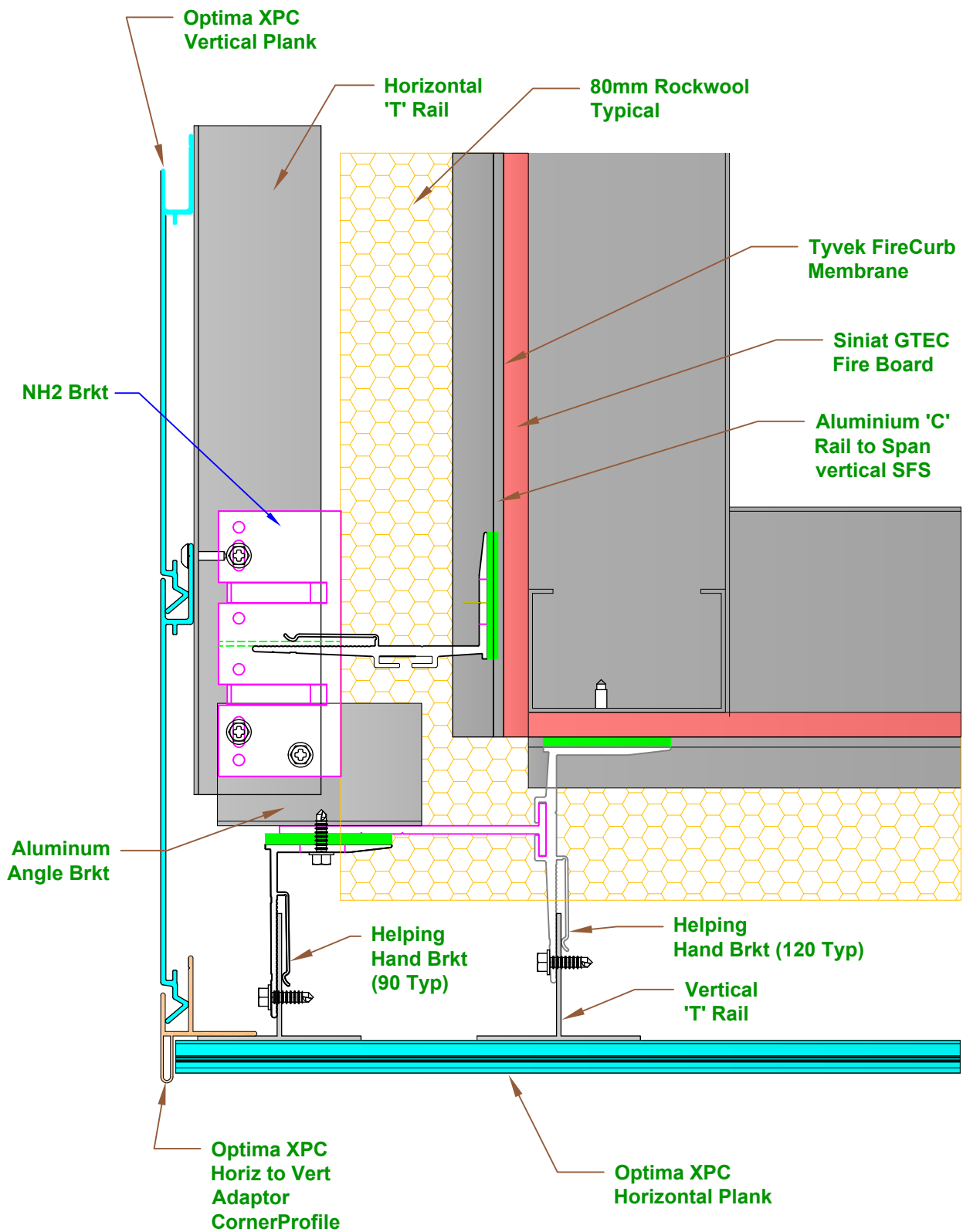
General Tel : 0191 5872287

Email : technical@sotech-optima.co.uk

Technical Tel : 0191 5879213

Title:				XPCC Horiz to Vert Detail	
Date:	Drawn:	Scale:			
16-Oct-19	TR	Do Not Scale	A4		
Drawing No:		XPCC-HZ-VT		Rev: 0	

THE INFORMATION DEPICTED IS CONFIDENTIAL AND REMAINS THE PROPERTY OF SOTECH LTD. IT MUST NOT BE COPIED BY ANY MEANS AND MUST NOT BE DIVULGED TO THIRD PARTIES WITHOUT EXPRESS WRITTEN PERMISSION FROM SOTECH LTD. © SOTECH-OPTIMA.



Notes:

Fireboards, Insulation, Membranes and Cavity Barriers as supplied to fire tests performed by Sotech and tested BS8414-2 and is compliant to BR135.

Sotech reserve the right to update details at any time



2 Traynor Way,
Whitehouse Business Park,
Peterlee, Co. Durham,
SR8 2RU

www.sotech-optima.co.uk

Email : technical@sotech-optima.co.uk

General Tel : 0191 5872287

Technical Tel : 0191 5879213

Title:			
XPC Horiz to Vert Corner Detail			
Date:	Drawn:	Scale:	A4
16-Oct-19	TR	Do Not Scale	
Drawing No:			Rev:
XPC-HZ-VT-CRNR			0

THE INFORMATION DEPICTED IS CONFIDENTIAL AND REMAINS THE PROPERTY OF SOTECH LTD. IT MUST NOT BE COPIED BY ANY MEANS AND MUST NOT BE DIVULGED TO THIRD PARTIES WITHOUT EXPRESS WRITTEN PERMISSION FROM SOTECH LTD. © SOTECH-OPTIMA.

2mm-10mm Typ

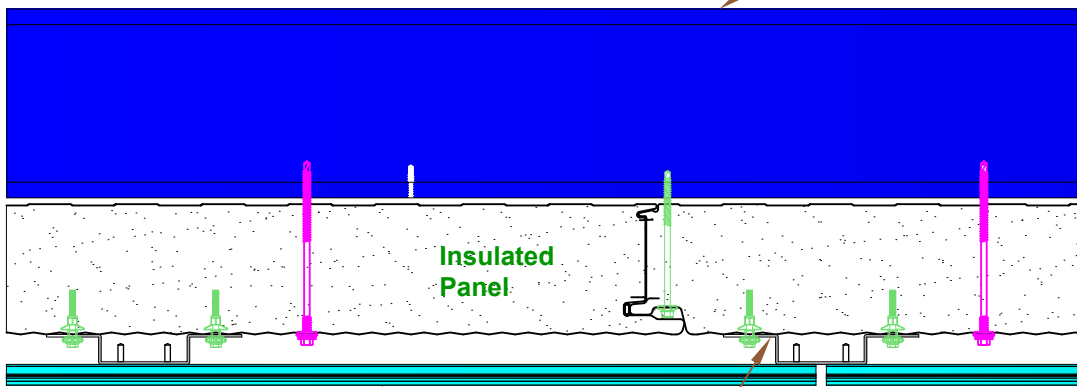
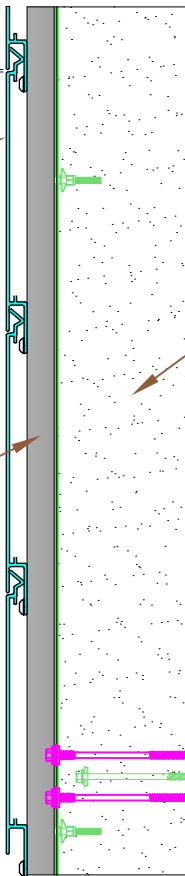
Optima XPC Horizontal Plank

Vertical Top Hat

Insulated Panel

Steel Purlin

Steel Purlin



Optima XPC Horizontal Plank

Vertical Top Hat

Exp Joint

Notes:

Fireboards, Insulation, Membranes and Cavity Barriers as supplied to fire tests performed by Sotech and tested BS8414-2 and is compliant to BR135.

Sotech reserve the right to update details at any time



2 Traynor Way,
Whitehouse Business Park,
Peterlee, Co. Durham,
SR8 2RU

www.sotech-optima.co.uk

General Tel : 0191 5872287

Email : technical@sotech-optima.co.uk

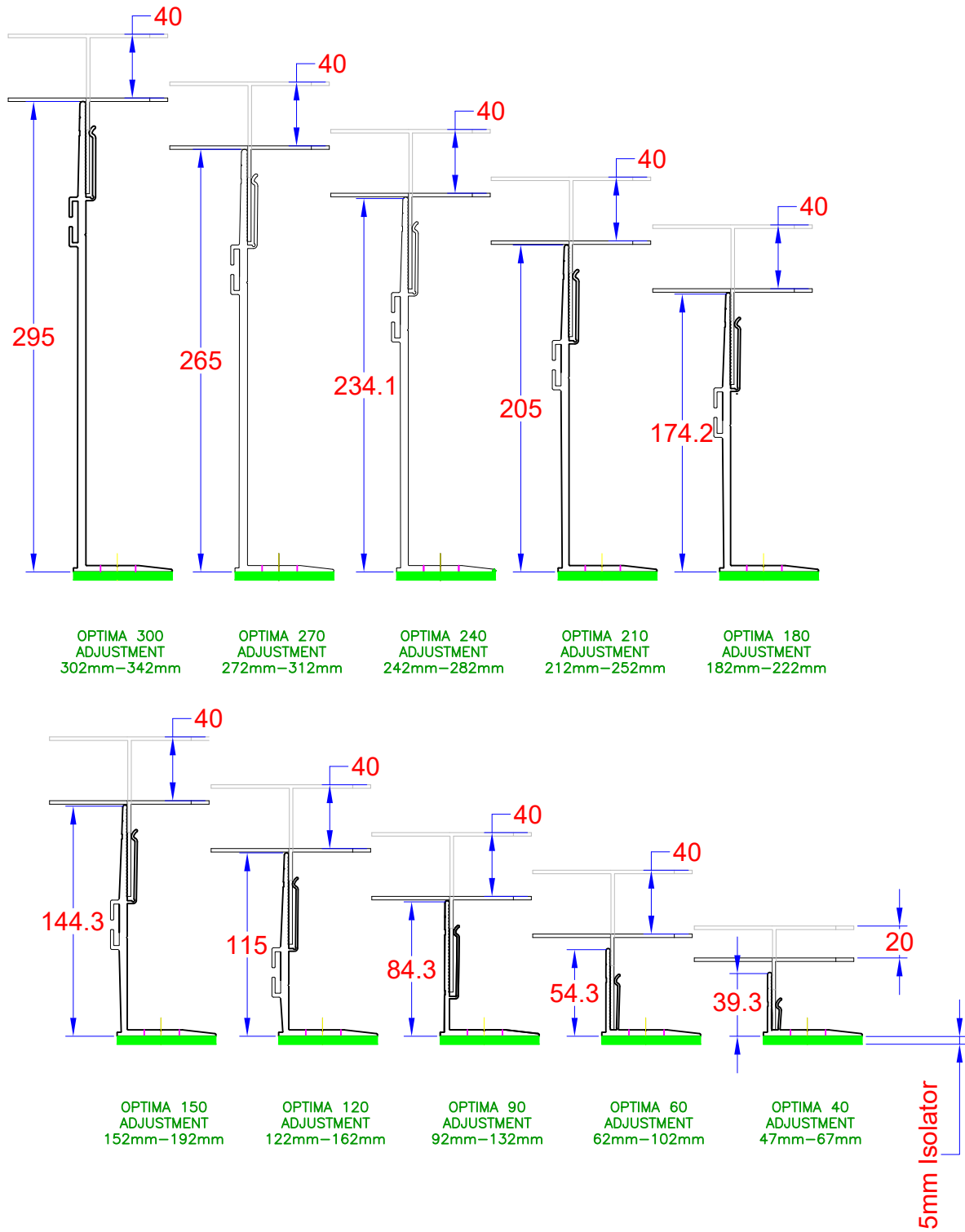
Technical Tel : 0191 5879213

Title: XPC Fixed back to Tophats and Insulated Panel Option

Date: 16-Oct-19	Drawn: TR	Scale: Do Not Scale	A4
--------------------	--------------	------------------------	----

Drawing No: XPC-HZ-TH-FIX	Rev: 0
-------------------------------------	------------------

THE INFORMATION DEPICTED IS CONFIDENTIAL AND REMAINS THE PROPERTY OF SOTECH LTD. IT MUST NOT BE COPIED BY ANY MEANS AND MUST NOT BE DIVULGED TO THIRD PARTIES WITHOUT EXPRESS WRITTEN PERMISSION FROM SOTECH LTD. © SOTECH-OPTIMA.



BRACKETS	Adjustment range for each bracket (mm)	
Optima 40	from 47	to 67
Optima 60	from 62	to 102
Optima 90	from 92	to 132
Optima 120	from 122	to 162
Optima 150	from 152	to 192
Optima 180	from 182	to 222
Optima 210	from 212	to 252
Optima 240	from 242	to 282
Optima 270	from 272	to 312
Optima 300	from 302	to 342

Sotech reserve the right to update details at any time



2 Traynor Way,
Whitehouse Business Park,
Peterlee, Co. Durham,
SR8 2RU

www.sotech-optima.co.uk

General Tel : 0191 5872287

Email : technical@sotech-optima.co.uk

Technical Tel : 0191 5879213

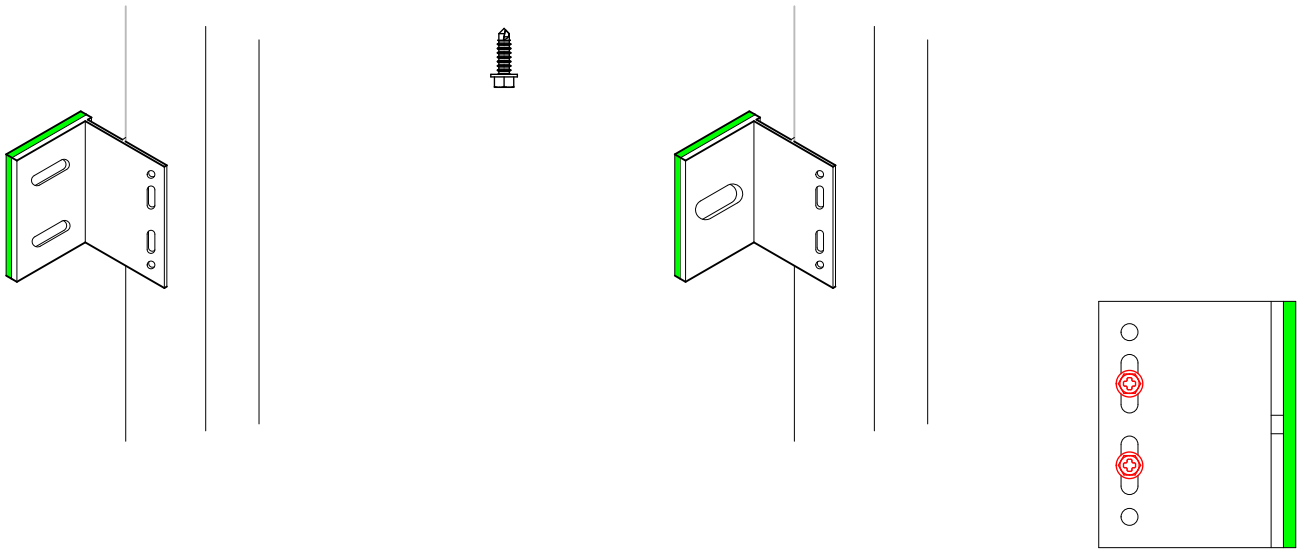
Title:

HORIZONTAL BRACKET ZONES

Date: 16-Oct-19	Drawn: TR	Scale: Do Not Scale	A4	Rev: 0
XPC-HZ-BRKT-ZONES				

THE INFORMATION DEPICTED IS CONFIDENTIAL AND REMAINS THE PROPERTY OF SOTECH LTD. IT MUST NOT BE COPIED BY ANY MEANS AND MUST NOT BE DIVULGED TO THIRD PARTIES WITHOUT EXPRESS WRITTEN PERMISSION FROM SOTECH LTD. © SOTECH-OPTIMA.

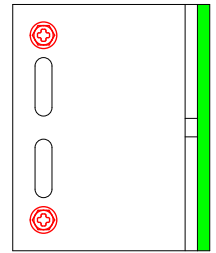
SFS SDA5 Stainless
Steel screws **must** be fitted
in either 2 holes fixed point
or 2 slots floating point into either "L" or "T" rail



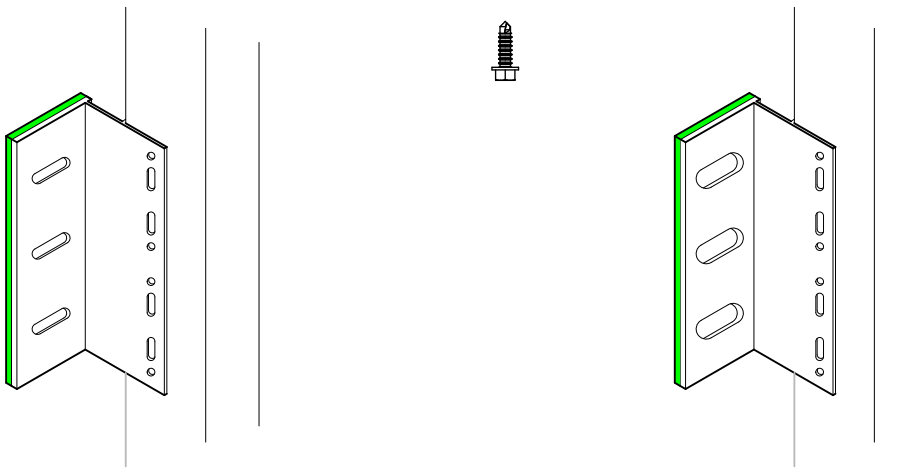
floating point

SFS SDA5 Stainless
Steel screws **must** be fitted
in either 4 holes fixed point
or 4 slots floating point into "L" or "T" rail

Refer to Static calculations
prepared for your project or to Structural
Engineers requirements



fixed point



6.5mm slots for steel / timber /SIPS substrate

11mm slots for concrete / blockwork substrate

Sotech reserve the right to update details at any time



2 Traynor Way,
Whitehouse Business Park,
Peterlee, Co. Durham,
SR8 2RU

www.sotech-optima.co.uk

General Tel : 0191 5872287

Email : technical@sotech-optima.co.uk

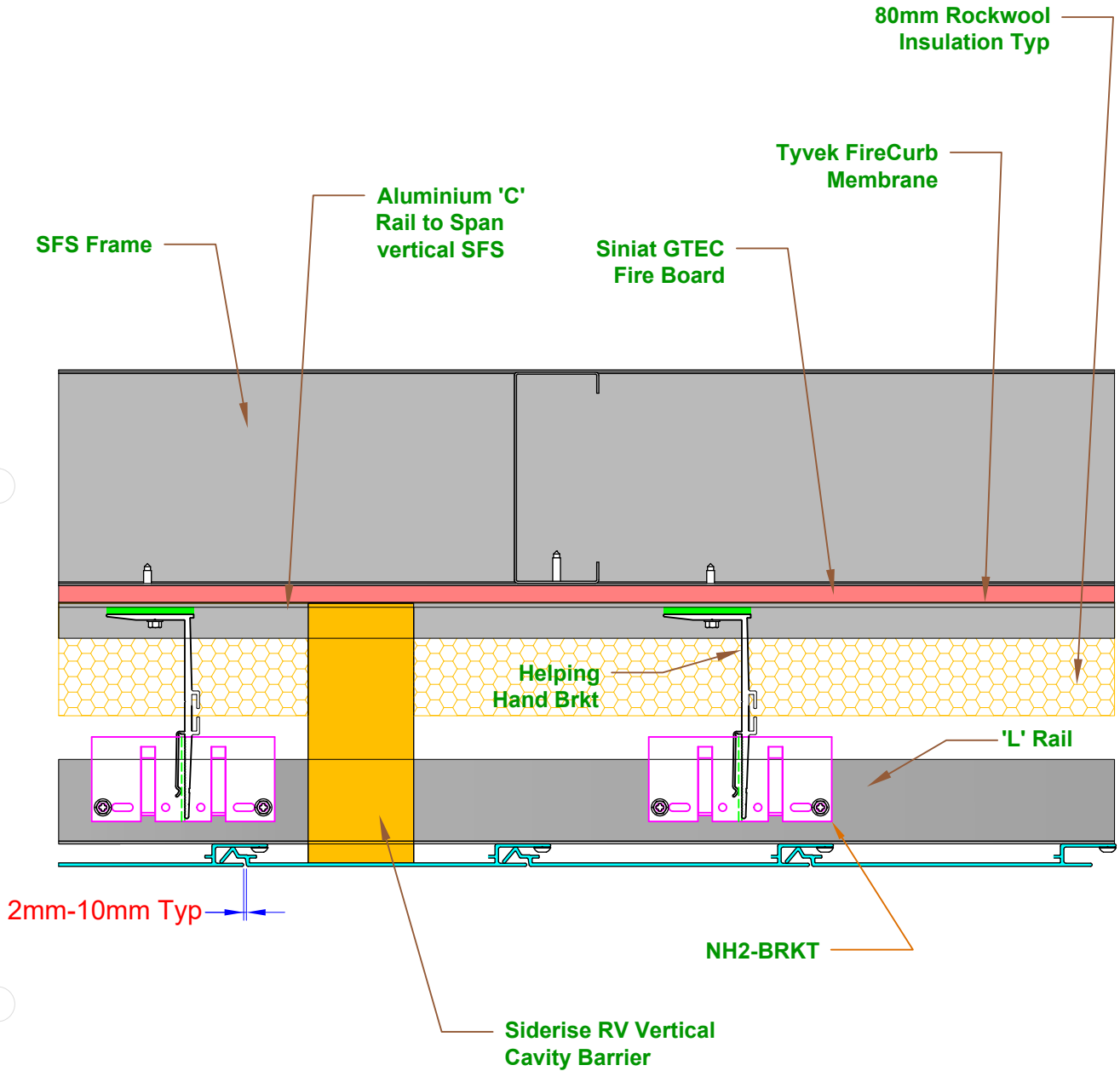
Technical Tel : 0191 5879213

Title: **Bracket to Vertical Rail Fixing Detail**

Date: 16-Oct-19	Drawn: TR	Scale: Do Not Scale	A4
---------------------------	---------------------	-------------------------------	-----------

Drawing No: **XPC-HZ-BRKT-FIX** Rev: **0**

THE INFORMATION DEPICTED IS CONFIDENTIAL AND REMAINS THE PROPERTY OF SOTECH LTD. IT MUST NOT BE COPIED BY ANY MEANS AND MUST NOT BE DIVULGED TO THIRD PARTIES WITHOUT EXPRESS WRITTEN PERMISSION FROM SOTECH LTD. © SOTECH-OPTIMA.



Notes:

Fireboards, Insulation, Membranes and Cavity Barriers as supplied to fire tests performed by Sotech and tested BS8414-2 and is compliant to BR135.

Sotech reserve the right to update details at any time



2 Traynor Way,
Whitehouse Business Park,
Peterlee, Co. Durham,
SR8 2RU

www.sotech-optima.co.uk

General Tel : 0191 5872287

Email : technical@sotech-optima.co.uk

Technical Tel : 0191 5879213

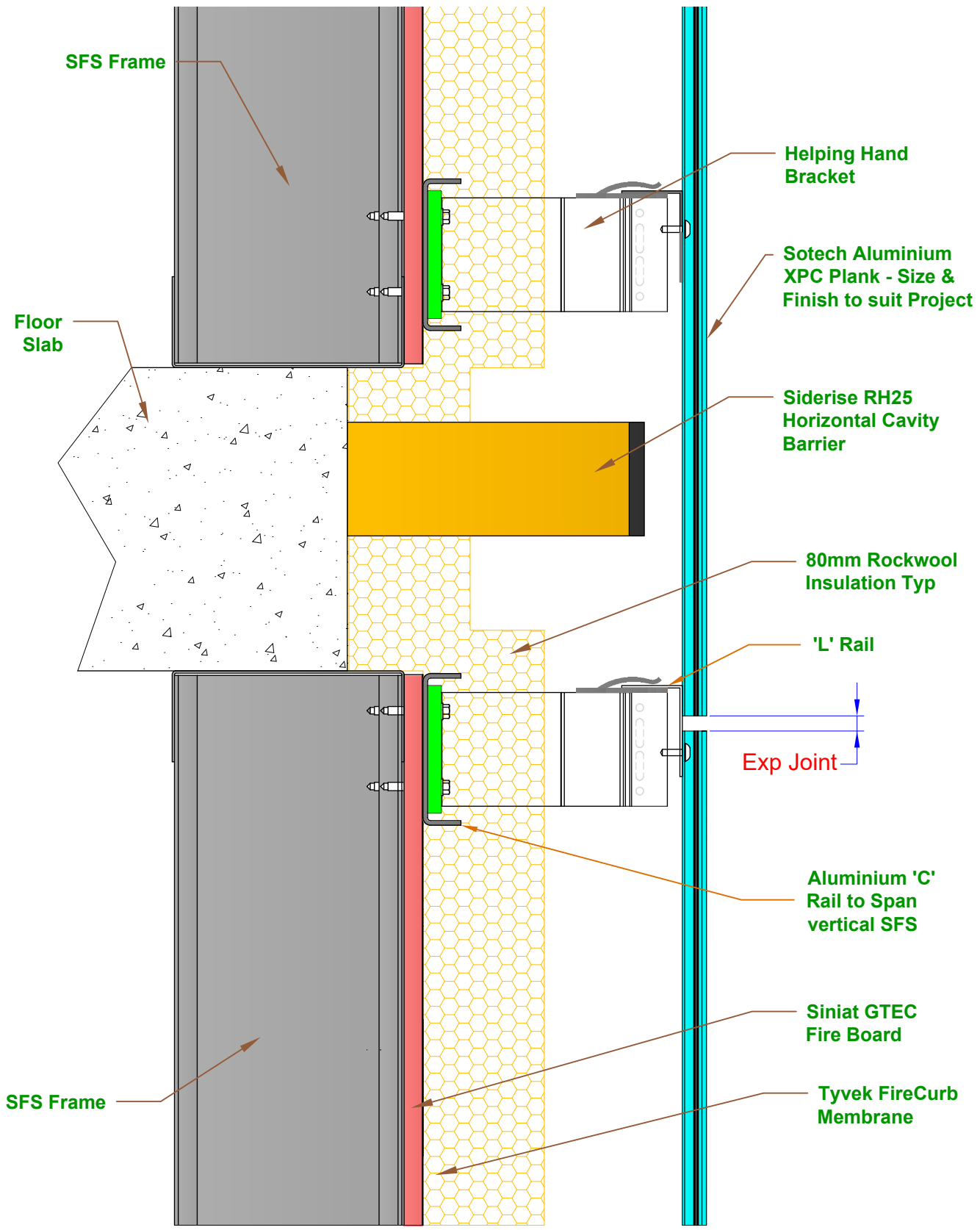
Title:

Standard Vertical Joints

Date: 20-Sep-19	Drawn: TR	Scale: Do Not Scale	A4
---------------------------	---------------------	-------------------------------	-----------

Drawing No: XPC-VT-STD JOINT	Rev: 0
--	------------------

THE INFORMATION DEPICTED IS CONFIDENTIAL AND REMAINS THE PROPERTY OF SOTECH LTD. IT MUST NOT BE COPIED BY ANY MEANS AND MUST NOT BE DIVULGED TO THIRD PARTIES WITHOUT EXPRESS WRITTEN PERMISSION FROM SOTECH LTD. © SOTECH-OPTIMA.



Notes:

Fireboards, Insulation, Membranes and Cavity Barriers as supplied to fire tests performed by Sotech and tested BS8414-2 and is compliant to BR135.

Sotech reserve the right to update details at any time



2 Traynor Way,
Whitehouse Business Park,
Peterlee, Co. Durham,
SR8 2RU

www.sotech-optima.co.uk
Email : technical@sotech-optima.co.uk

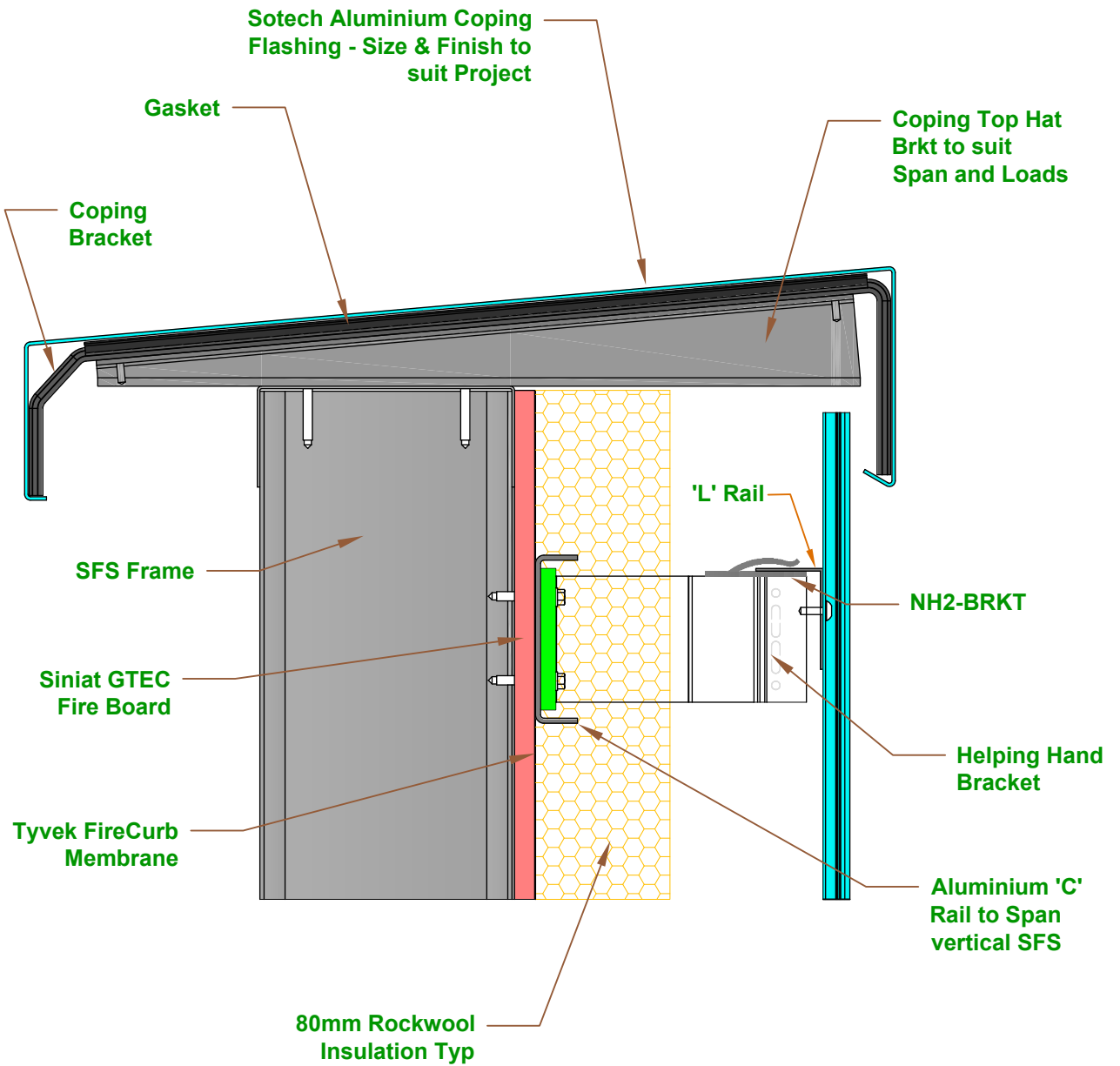
General Tel : 0191 5872287
Technical Tel : 0191 5879213

Title: **Horizontal & Intermediate Vertical Joint**

Date: 20-Sep-19	Drawn: TR	Scale: Do Not Scale	A4
---------------------------	---------------------	-------------------------------	-----------

Drawing No: XPC-VT-HORIZ JOINTS	Rev: 0
---	------------------

THE INFORMATION DEPICTED IS CONFIDENTIAL AND REMAINS THE PROPERTY OF SOTECH LTD. IT MUST NOT BE COPIED BY ANY MEANS AND MUST NOT BE DIVULGED TO THIRD PARTIES WITHOUT EXPRESS WRITTEN PERMISSION FROM SOTECH LTD. © SOTECH-OPTIMA.



Notes:

Fireboards, Insulation, Membranes and Cavity Barriers as supplied to fire tests performed by Sotech and tested BS8414-2 and is compliant to BR135.

Sotech reserve the right to update details at any time



2 Traynor Way,
Whitehouse Business Park,
Peterlee, Co. Durham,
SR8 2RU

www.sotech-optima.co.uk

General Tel : 0191 5872287

Email : technical@sotech-optima.co.uk

Technical Tel : 0191 5879213

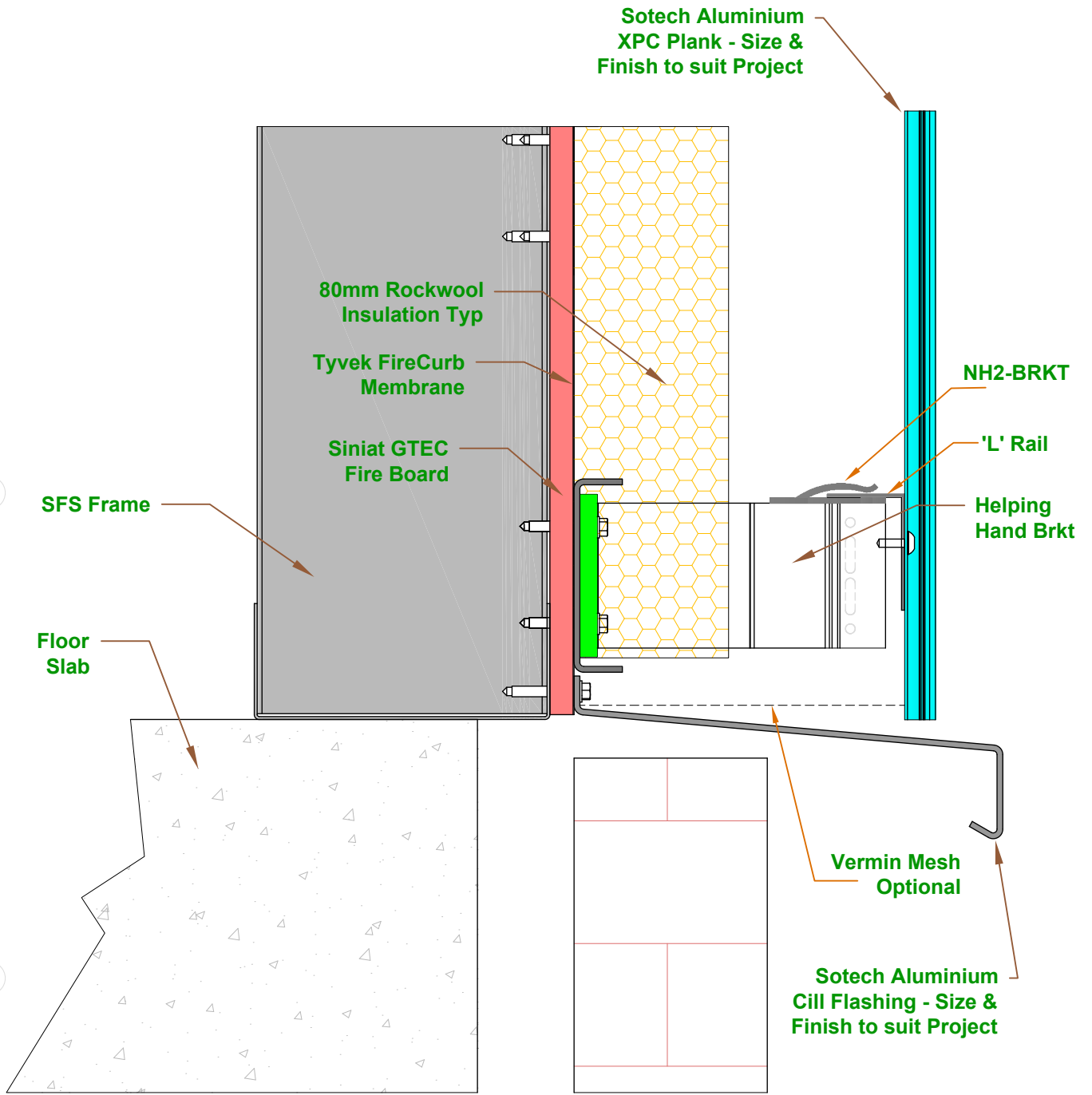
Title:

Coping Detail

Date: 20-Sep-19	Drawn: TR	Scale: Do Not Scale	A4
---------------------------	---------------------	-------------------------------	-----------

Drawing No: XPC-VT-COPING	Rev: 0
-------------------------------------	------------------

THE INFORMATION DEPICTED IS CONFIDENTIAL AND REMAINS THE PROPERTY OF SOTECH LTD. IT MUST NOT BE COPIED BY ANY MEANS AND MUST NOT BE DIVULGED TO THIRD PARTIES WITHOUT EXPRESS WRITTEN PERMISSION FROM SOTECH LTD. © SOTECH-OPTIMA.



Notes:

Fireboards, Insulation, Membranes and Cavity Barriers as supplied to fire tests performed by Sotech and tested BS8414-2 and is compliant to BR135.

Sotech reserve the right to update details at any time



2 Traynor Way,
Whitehouse Business Park,
Peterlee, Co. Durham,
SR8 2RU

www.sotech-optima.co.uk

General Tel : 0191 5872287

Email : technical@sotech-optima.co.uk

Technical Tel : 0191 5879213

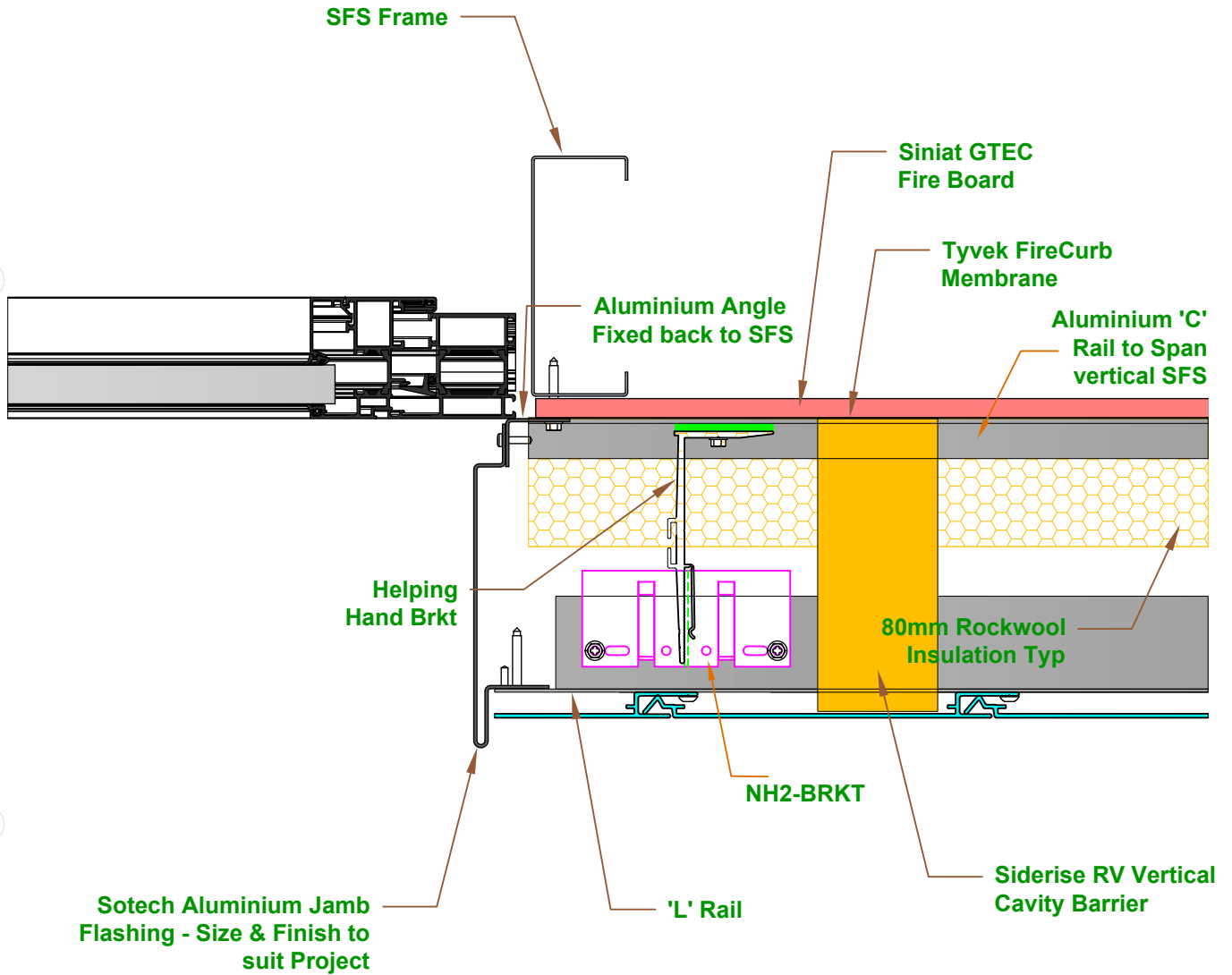
Title:

Drip/Cill Detail

Date: 16-Oct-19	Drawn: TR	Scale: Do Not Scale	A4
---------------------------	---------------------	-------------------------------	-----------

Drawing No: XPC-VT-DRIP/CILL	Rev: 0
--	------------------

THE INFORMATION DEPICTED IS CONFIDENTIAL AND REMAINS THE PROPERTY OF SOTECH LTD. IT MUST NOT BE COPIED BY ANY MEANS AND MUST NOT BE DIVULGED TO THIRD PARTIES WITHOUT EXPRESS WRITTEN PERMISSION FROM SOTECH LTD. © SOTECH-OPTIMA.



Notes:

Fireboards, Insulation, Membranes and Cavity Barriers as supplied to fire tests performed by Sotech and tested BS8414-2 and is compliant to BR135.

Sotech reserve the right to update details at any time



2 Traynor Way,
Whitehouse Business Park,
Peterlee, Co. Durham,
SR8 2RU

www.sotech-optima.co.uk

General Tel : 0191 5872287

Email : technical@sotech-optima.co.uk

Technical Tel : 0191 5879213

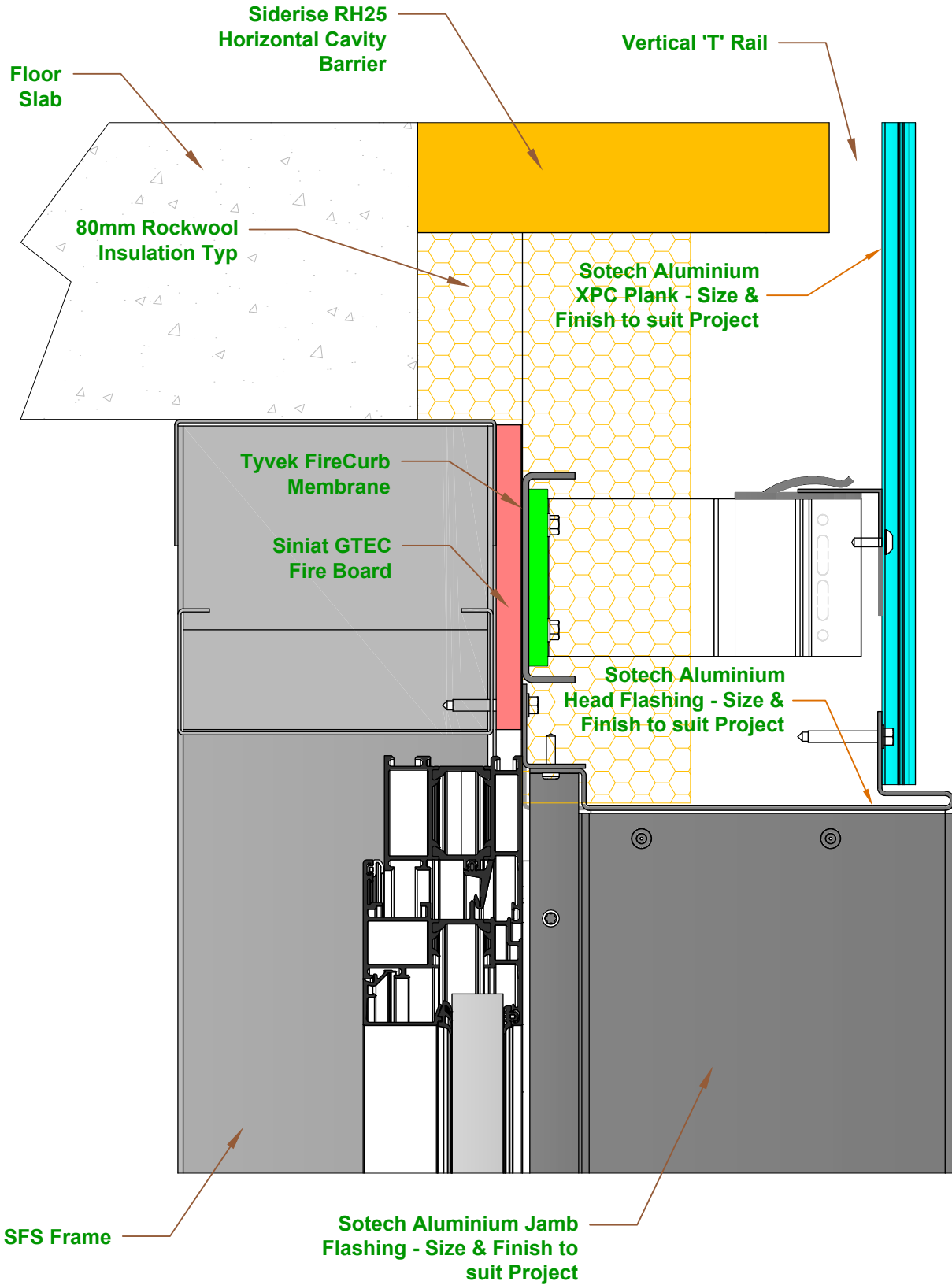
Title:

Window Jamb

Date: 16-Oct-19	Drawn: TR	Scale: Do Not Scale	A4
---------------------------	---------------------	-------------------------------	-----------

Drawing No: XPC-VT-WINDOW JAMB	Rev: 0
--	------------------

THE INFORMATION DEPICTED IS CONFIDENTIAL AND REMAINS THE PROPERTY OF SOTECH LTD. IT MUST NOT BE COPIED BY ANY MEANS AND MUST NOT BE DIVULGED TO THIRD PARTIES WITHOUT EXPRESS WRITTEN PERMISSION FROM SOTECH LTD. © SOTECH-OPTIMA.



Notes:

Fireboards, Insulation, Membranes and Cavity Barriers as supplied to fire tests performed by Sotech and tested BS8414-2 and is compliant to BR135.

Sotech reserve the right to update details at any time



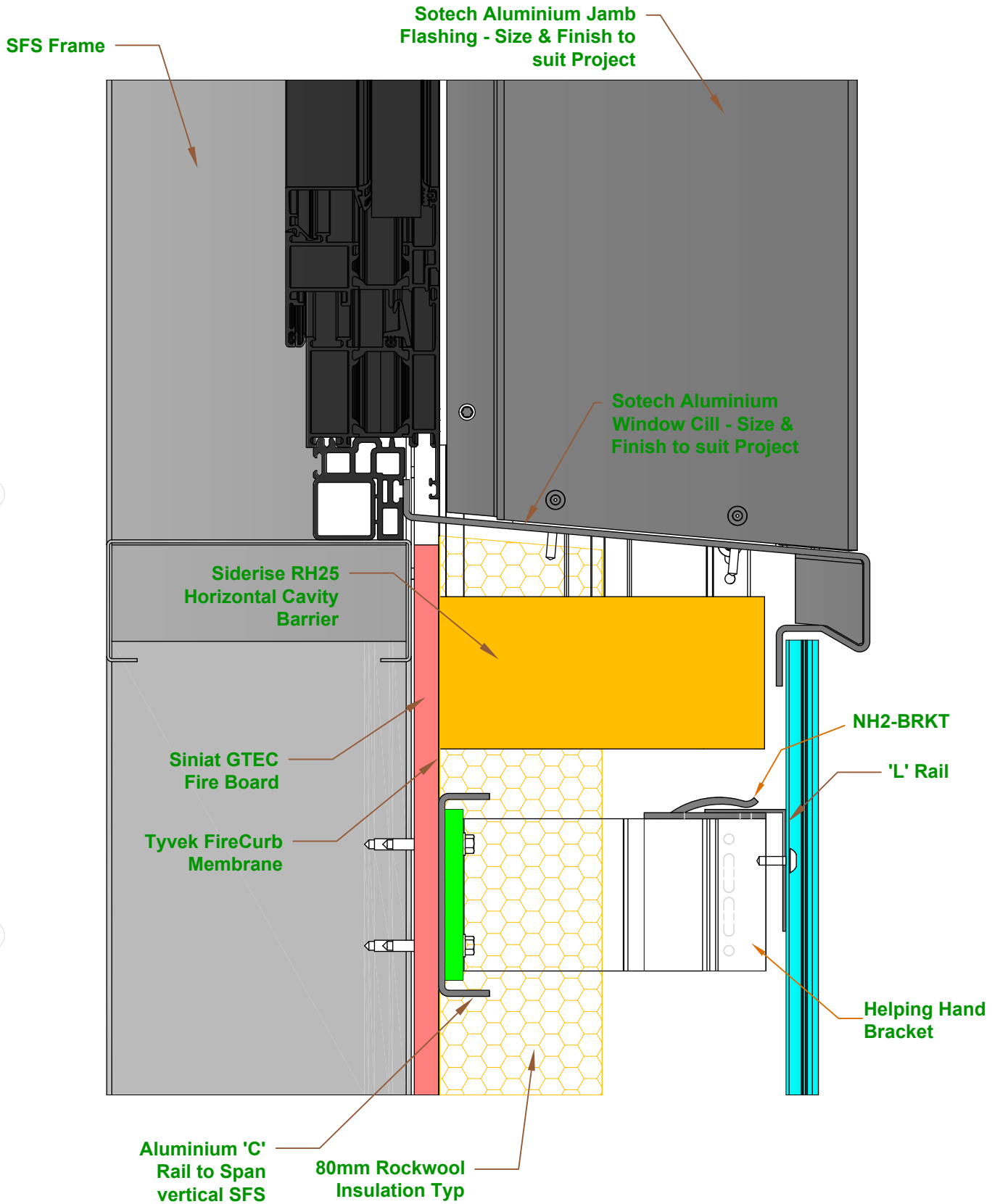
2 Traynor Way,
Whitehouse Business Park,
Peterlee, Co. Durham,
SR8 2RU

www.sotech-optima.co.uk
Email : technical@sotech-optima.co.uk

General Tel : 0191 5872287
Technical Tel : 0191 5879213

Title:				Window Head	
Date:	Drawn:	Scale:			
16-Oct-19	TR	Do Not Scale	A4		
Drawing No:					Rev:
XPC-VT-WINDOW HEAD					0

THE INFORMATION DEPICTED IS CONFIDENTIAL AND REMAINS THE PROPERTY OF SOTECH LTD. IT MUST NOT BE COPIED BY ANY MEANS AND MUST NOT BE DIVULGED TO THIRD PARTIES WITHOUT EXPRESS WRITTEN PERMISSION FROM SOTECH LTD. © SOTECH-OPTIMA.



Notes:

Fireboards, Insulation, Membranes and Cavity Barriers as supplied to fire tests performed by Sotech and tested BS8414-2 and is compliant to BR135.

Sotech reserve the right to update details at any time



2 Traynor Way,
Whitehouse Business Park,
Peterlee, Co. Durham,
SR8 2RU

www.sotech-optima.co.uk

General Tel : 0191 5872287

Email : technical@sotech-optima.co.uk

Technical Tel : 0191 5879213

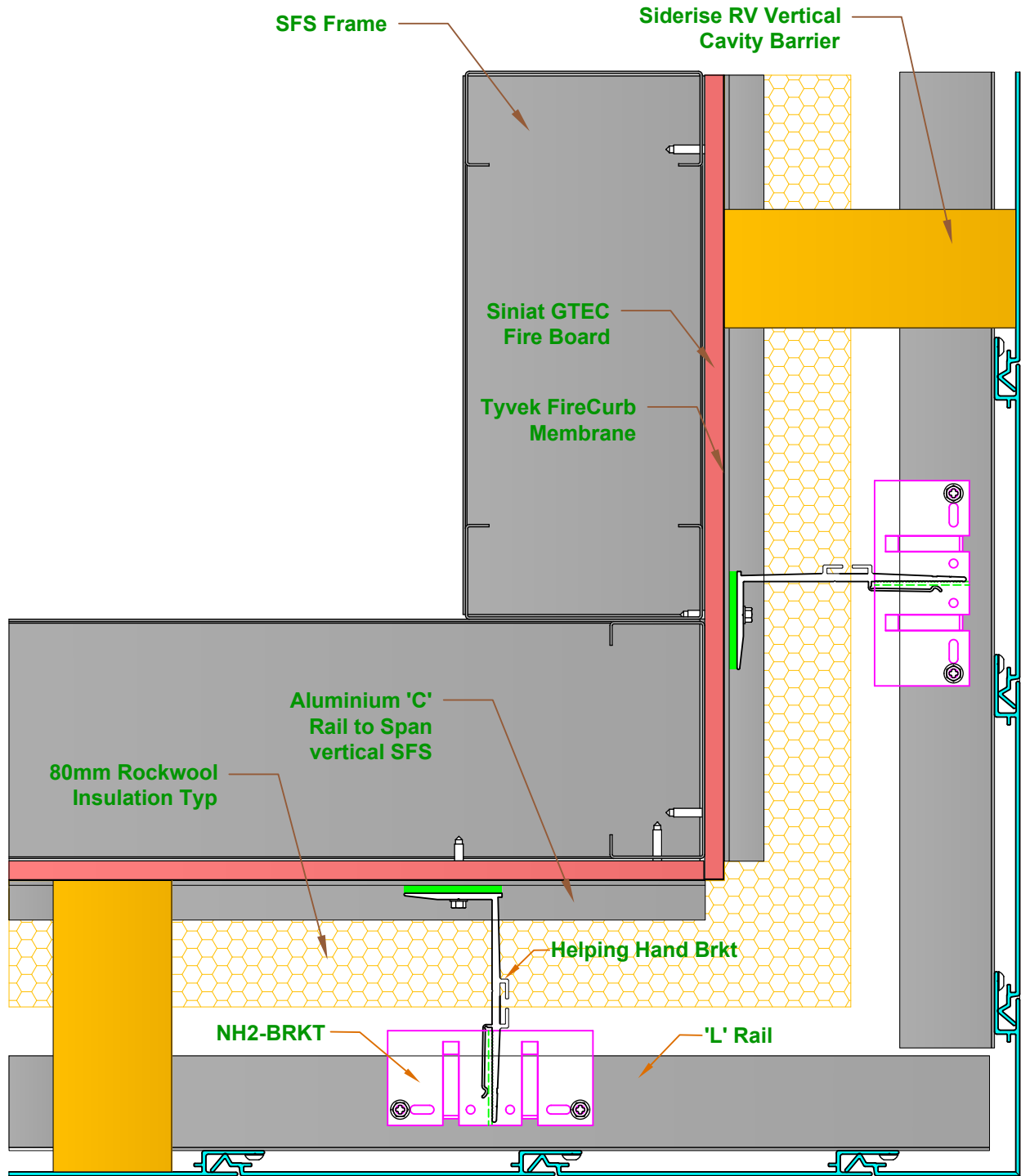
Title:

Window Cill

Date: 16-Oct-19	Drawn: TR	Scale: Do Not Scale	A4
---------------------------	---------------------	-------------------------------	-----------

Drawing No: XPC-VT-WINDOW CILL	Rev: 0
--	------------------

THE INFORMATION DEPICTED IS CONFIDENTIAL AND REMAINS THE PROPERTY OF SOTECH LTD. IT MUST NOT BE COPIED BY ANY MEANS AND MUST NOT BE DIVULGED TO THIRD PARTIES WITHOUT EXPRESS WRITTEN PERMISSION FROM SOTECH LTD. © SOTECH-OPTIMA.



Notes:

Fireboards, Insulation, Membranes and Cavity Barriers as supplied to fire tests performed by Sotech and tested BS8414-2 and is compliant to BR135.

Sotech reserve the right to update details at any time



2 Traynor Way,
Whitehouse Business Park,
Peterlee, Co. Durham,
SR8 2RU

www.sotech-optima.co.uk

General Tel : 0191 5872287

Email : technical@sotech-optima.co.uk

Technical Tel : 0191 5879213

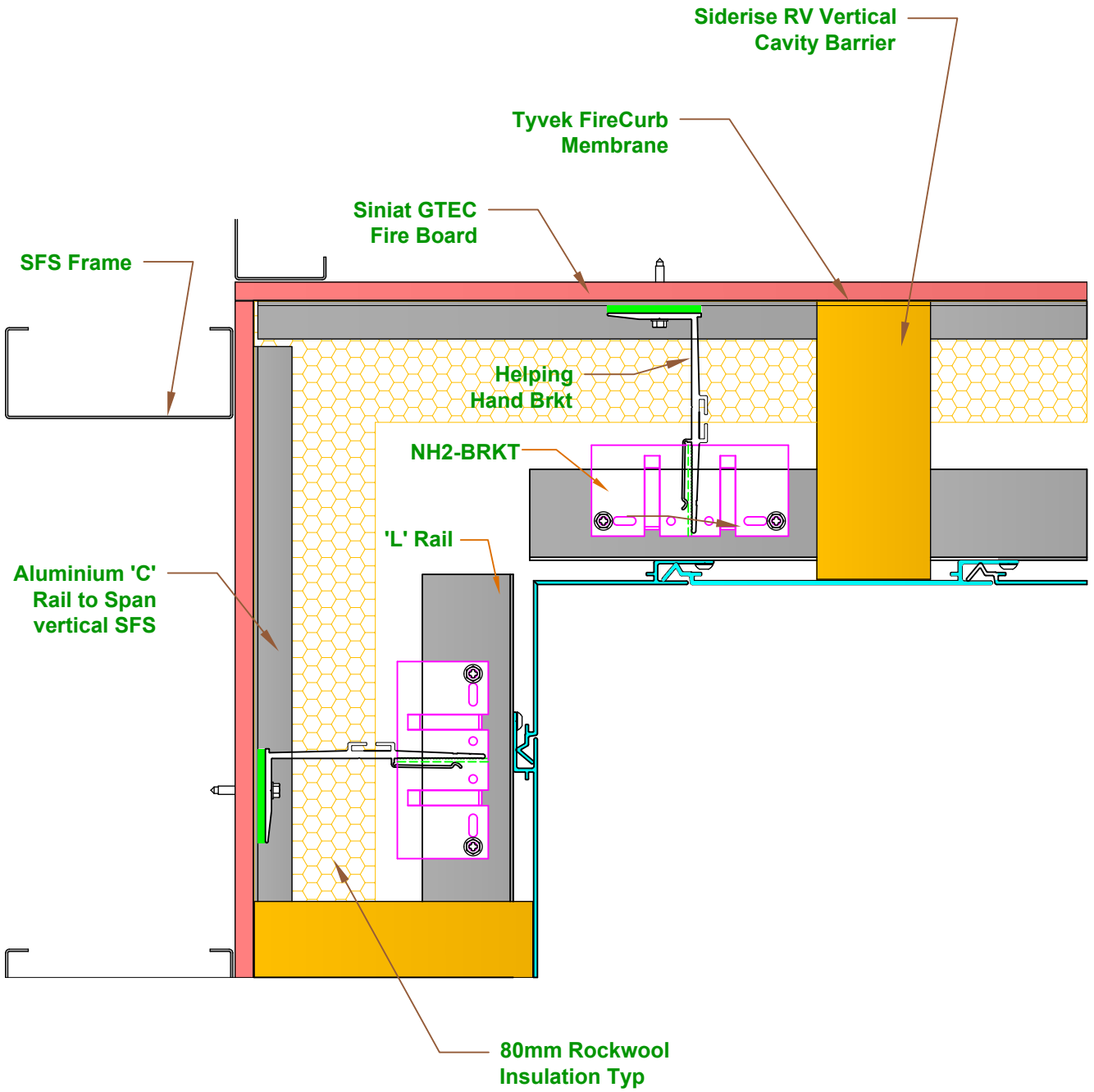
Title:

External Corner

Date: 16-Oct-19	Drawn: TR	Scale: Do Not Scale	A4
--------------------	--------------	------------------------	----

Drawing No: XPC-VT-EXT CORNER	Rev: 0
---	------------------

THE INFORMATION DEPICTED IS CONFIDENTIAL AND REMAINS THE PROPERTY OF SOTECH LTD. IT MUST NOT BE COPIED BY ANY MEANS AND MUST NOT BE DIVULGED TO THIRD PARTIES WITHOUT EXPRESS WRITTEN PERMISSION FROM SOTECH LTD. © SOTECH-OPTIMA.



Notes:

Fireboards, Insulation, Membranes and Cavity Barriers as supplied to fire tests performed by Sotech and tested BS8414-2 and is compliant to BR135.

Sotech reserve the right to update details at any time



2 Traynor Way,
Whitehouse Business Park,
Peterlee, Co. Durham,
SR8 2RU

www.sotech-optima.co.uk

General Tel : 0191 5872287

Email : technical@sotech-optima.co.uk

Technical Tel : 0191 5879213

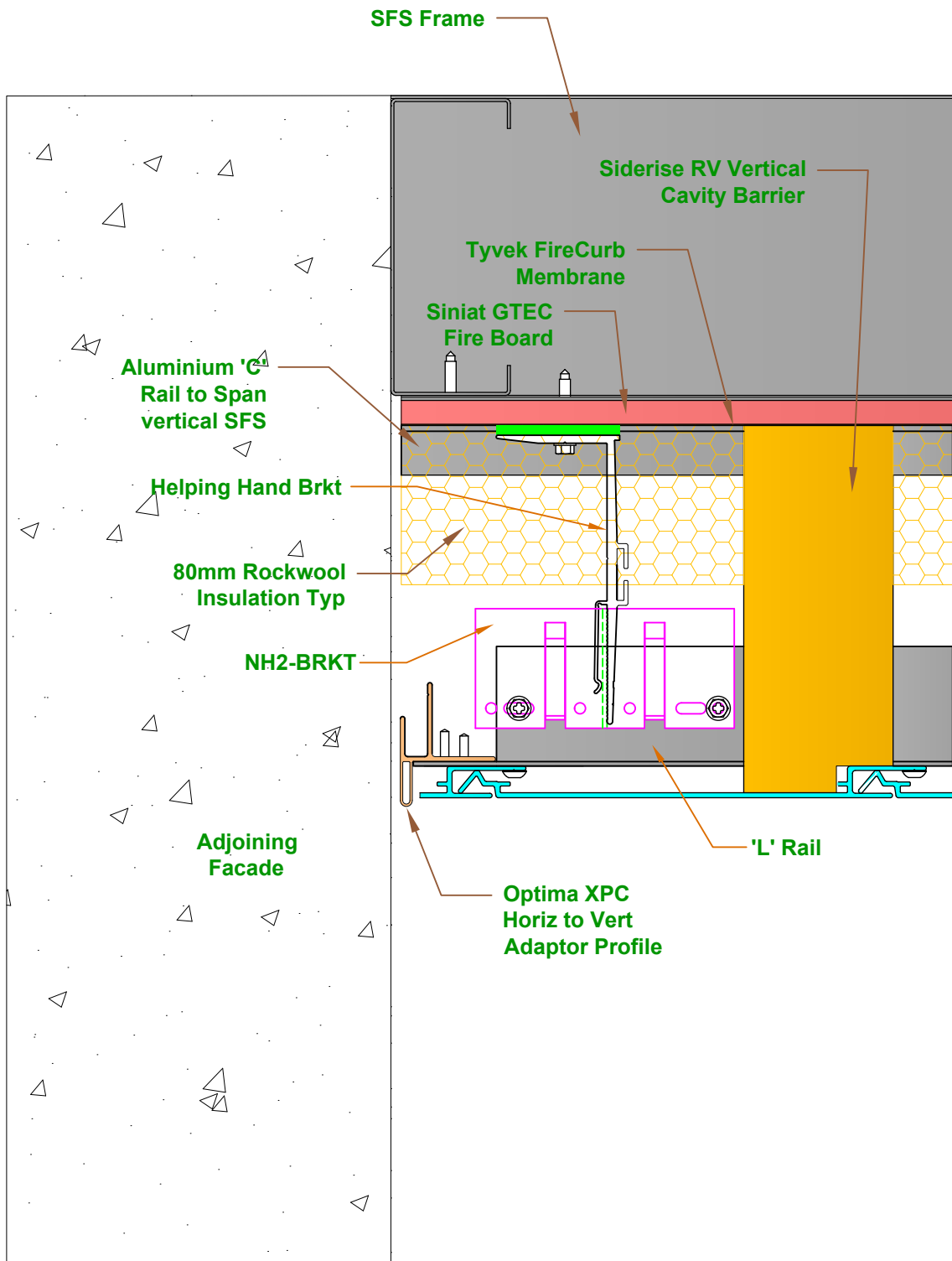
Title:

Internal Corner

Date: 16-Oct-19	Drawn: TR	Scale: Do Not Scale	A4
---------------------------	---------------------	-------------------------------	-----------

Drawing No: XPC-VT-INT CORNER	Rev: 0
---	------------------

THE INFORMATION DEPICTED IS CONFIDENTIAL AND REMAINS THE PROPERTY OF SOTECH LTD. IT MUST NOT BE COPIED BY ANY MEANS AND MUST NOT BE DIVULGED TO THIRD PARTIES WITHOUT EXPRESS WRITTEN PERMISSION FROM SOTECH LTD. © SOTECH-OPTIMA.



Notes:

Fireboards, Insulation, Membranes and Cavity Barriers as supplied to fire tests performed by Sotech and tested BS8414-2 and is compliant to BR135.

Sotech reserve the right to update details at any time



2 Traynor Way,
Whitehouse Business Park,
Peterlee, Co. Durham,
SR8 2RU

www.sotech-optima.co.uk

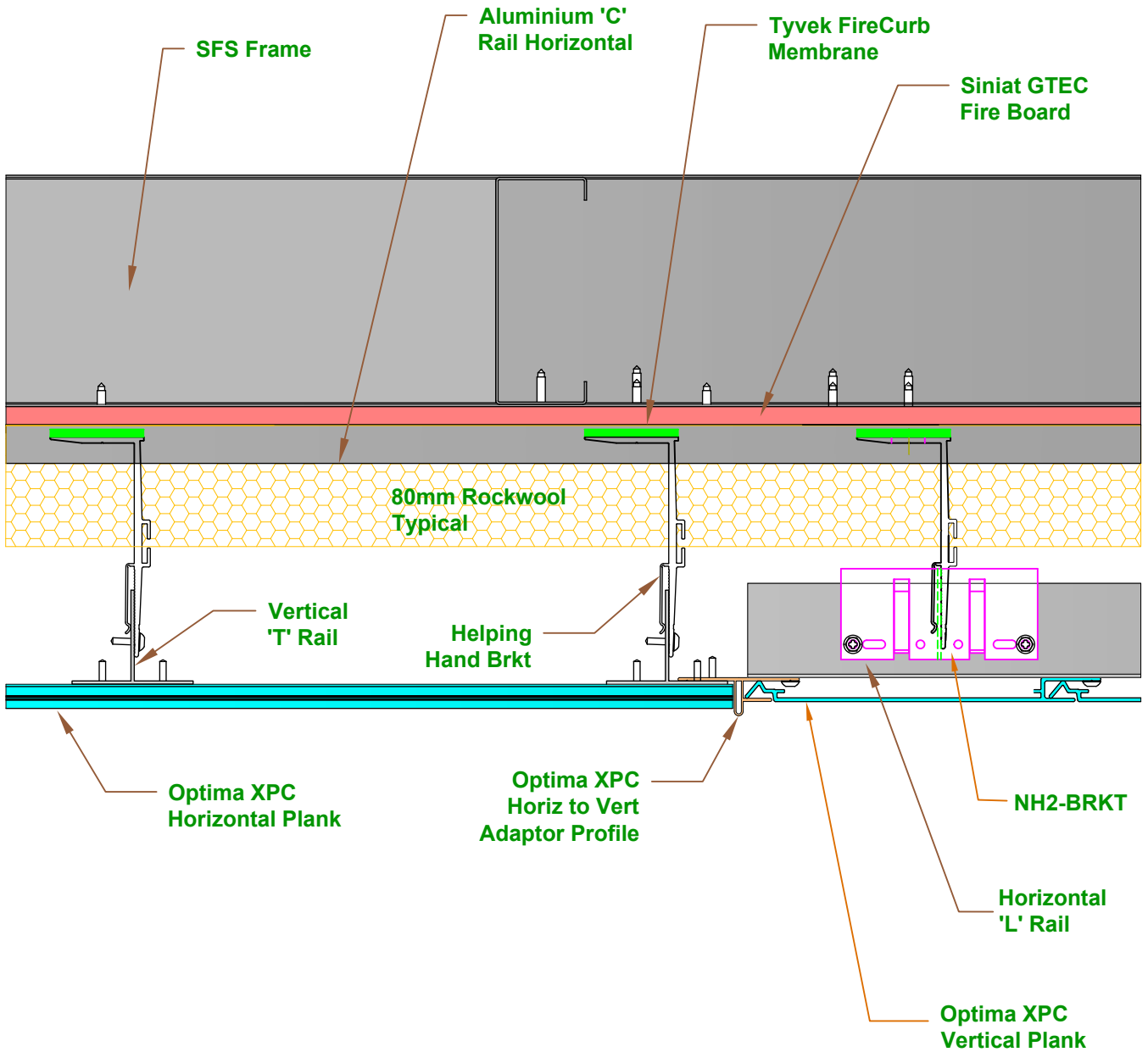
General Tel : 0191 5872287

Email : technical@sotech-optima.co.uk

Technical Tel : 0191 5879213

Title:				Facade Abutment Detail	
Date:	Drawn:	Scale:			
16-Oct-19	TR	Do Not Scale	A4		
Drawing No:					Rev:
XPC-VT-FACADE-ABUT					0

THE INFORMATION DEPICTED IS CONFIDENTIAL AND REMAINS THE PROPERTY OF SOTECH LTD. IT MUST NOT BE COPIED BY ANY MEANS AND MUST NOT BE DIVULGED TO THIRD PARTIES WITHOUT EXPRESS WRITTEN PERMISSION FROM SOTECH LTD. © SOTECH-OPTIMA.



Notes:

Fireboards, Insulation, Membranes and Cavity Barriers as supplied to fire tests performed by Sotech and tested BS8414-2 and is compliant to BR135.

Sotech reserve the right to update details at any time



2 Traynor Way,
Whitehouse Business Park,
Peterlee, Co. Durham,
SR8 2RU

www.sotech-optima.co.uk

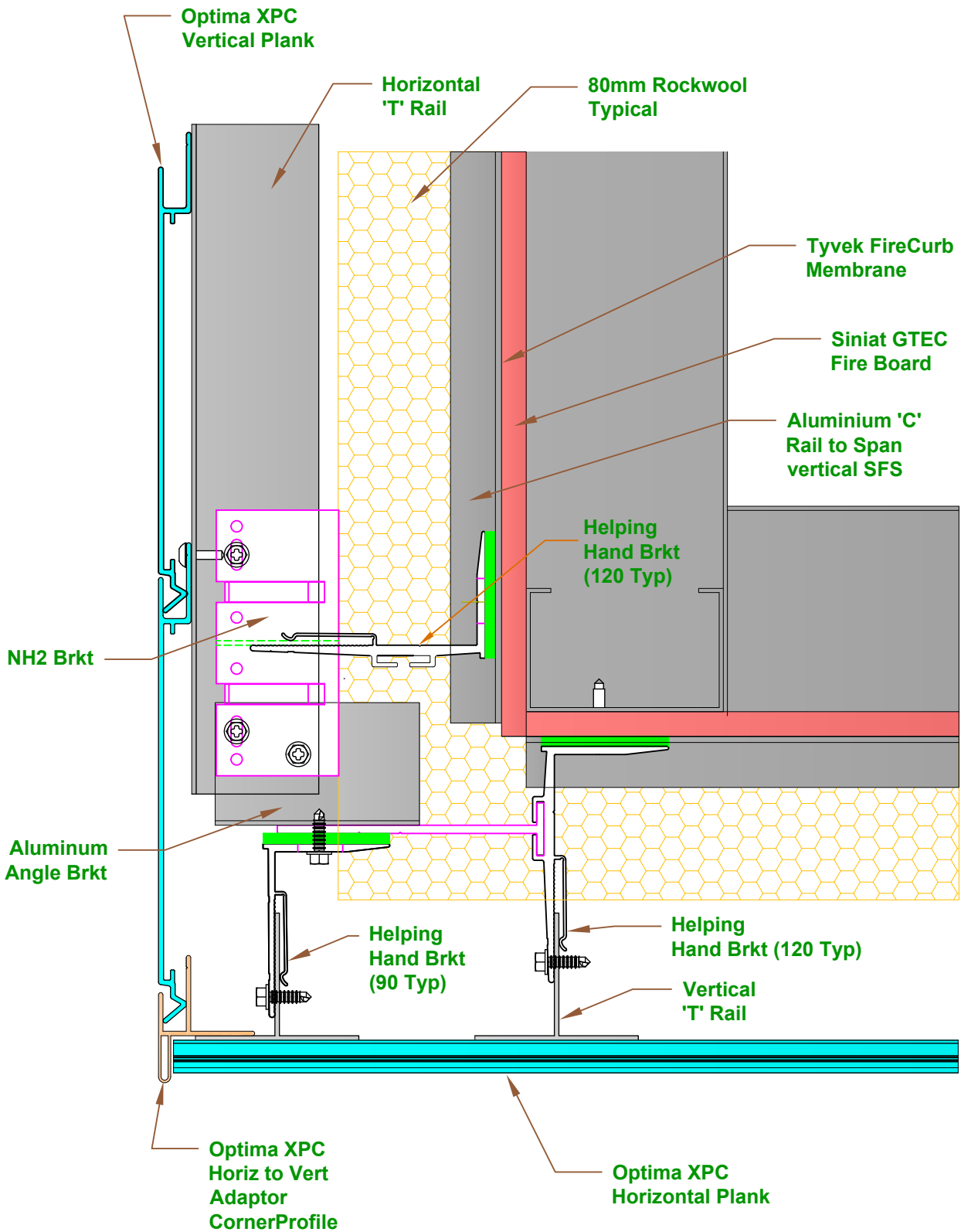
General Tel : 0191 5872287

Email : technical@sotech-optima.co.uk

Technical Tel : 0191 5879213

Title:			
XPCHoriz to Vert Detail			
Date:	Drawn:	Scale:	A4
16-Oct-19	TR	Do Not Scale	
Drawing No:			Rev:
XPCHZ-VT			0

THE INFORMATION DEPICTED IS CONFIDENTIAL AND REMAINS THE PROPERTY OF SOTECH LTD. IT MUST NOT BE COPIED BY ANY MEANS AND MUST NOT BE DIVULGED TO THIRD PARTIES WITHOUT EXPRESS WRITTEN PERMISSION FROM SOTECH LTD. © SOTECH-OPTIMA.



Notes:

Fireboards, Insulation, Membranes and Cavity Barriers as supplied to fire tests performed by Sotech and tested BS8414-2 and is compliant to BR135.

Sotech reserve the right to update details at any time



2 Traynor Way,
Whitehouse Business Park,
Peterlee, Co. Durham,
SR8 2RU

www.sotech-optima.co.uk

General Tel : 0191 5872287

Email : technical@sotech-optima.co.uk

Technical Tel : 0191 5879213

Title:

XPCC Vert to Horiz Corner Detail

Date:

16-Oct-19

Drawn:

TR

Scale:

Do Not Scale

A4

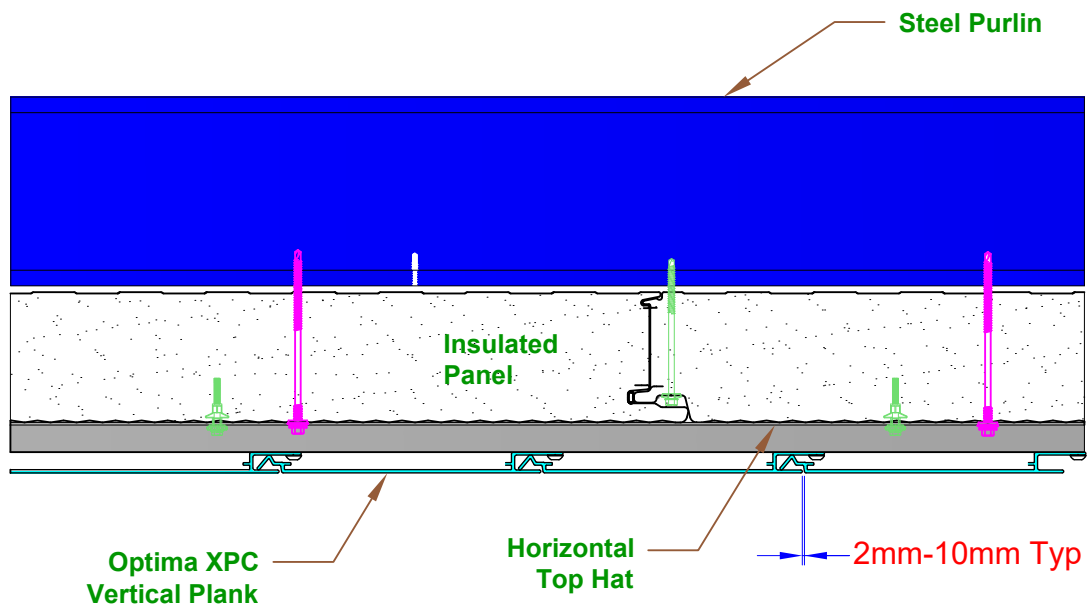
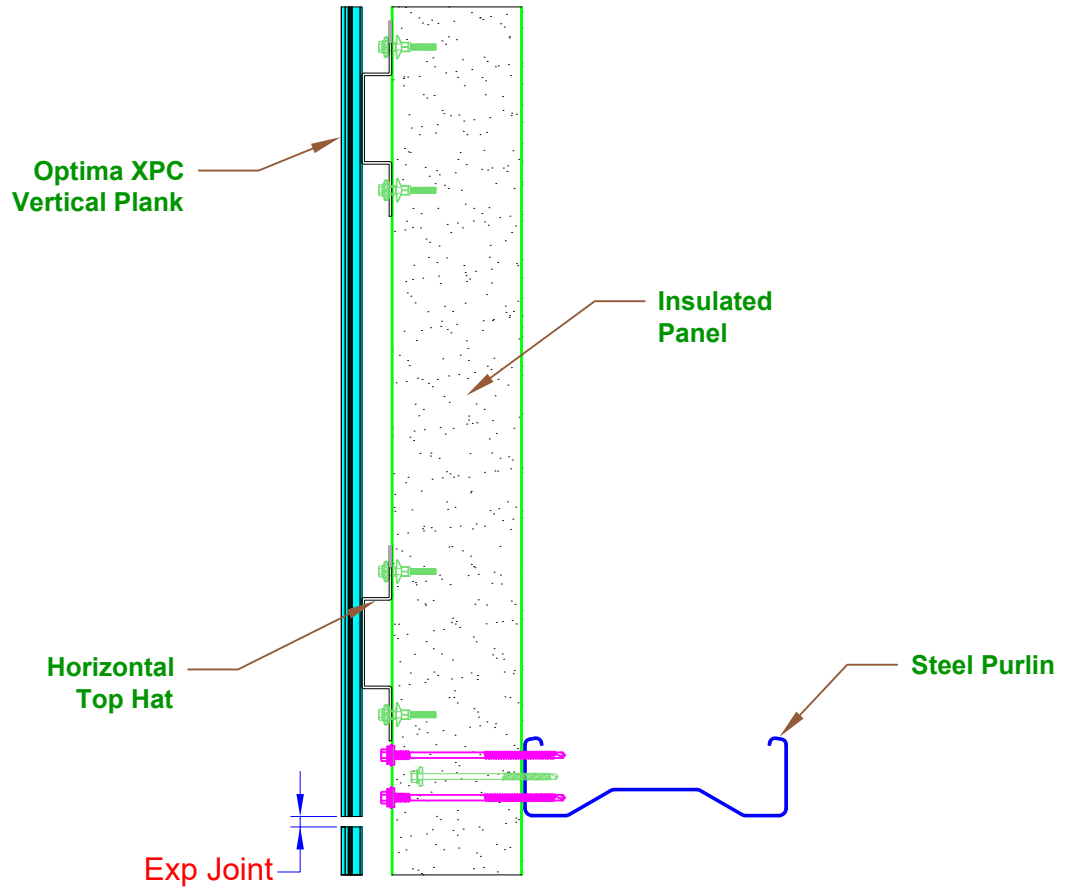
Drawing No:

XPCC-VT-HZ-CRNR

Rev:

0

THE INFORMATION DEPICTED IS CONFIDENTIAL AND REMAINS THE PROPERTY OF SOTTECH LTD. IT MUST NOT BE COPIED BY ANY MEANS AND MUST NOT BE DIVULGED TO THIRD PARTIES WITHOUT EXPRESS WRITTEN PERMISSION FROM SOTTECH LTD. © SOTTECH-OPTIMA.



Notes:

Fireboards, Insulation, Membranes and Cavity Barriers as supplied to fire tests performed by Sotech and tested BS8414-2 and is compliant to BR135.

Sotech reserve the right to update details at any time



2 Traynor Way,
Whitehouse Business Park,
Peterlee, Co. Durham,
SR8 2RU

www.sotech-optima.co.uk

General Tel : 0191 5872287

Email : technical@sotech-optima.co.uk

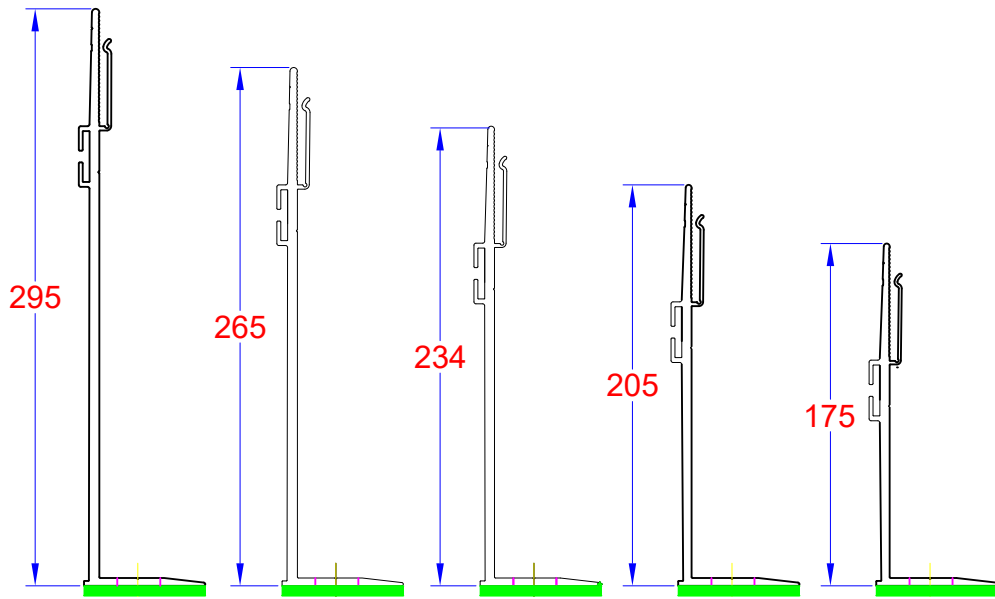
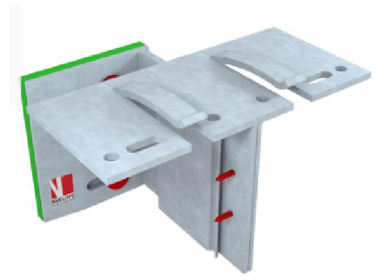
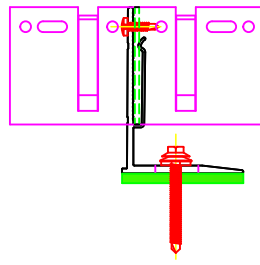
Technical Tel : 0191 5879213

Title: XPC Fixed back to Tophats and Insulated Panel Option

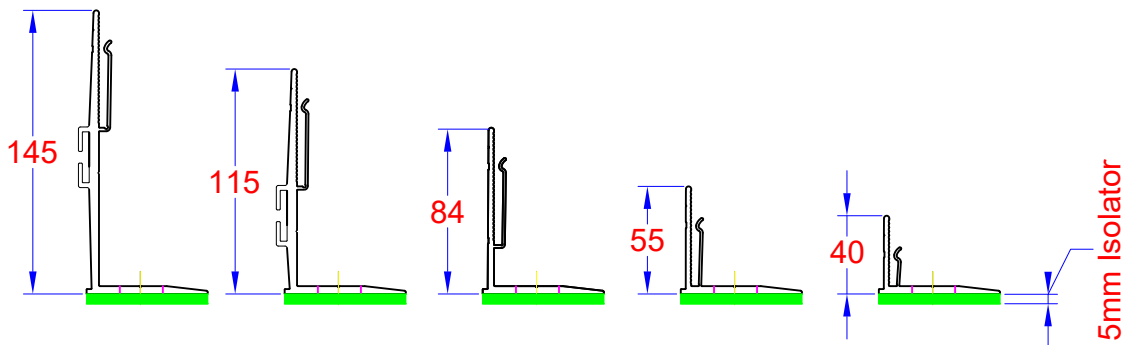
Date: 16-Oct-19	Drawn: TR	Scale: Do Not Scale	A4
--------------------	--------------	------------------------	----

Drawing No: **XPC-VT-TH-FIX** Rev: **0**

THE INFORMATION DEPICTED IS CONFIDENTIAL AND REMAINS THE PROPERTY OF SOTECH LTD. IT MUST NOT BE COPIED BY ANY MEANS AND MUST NOT BE DIVULGED TO THIRD PARTIES WITHOUT EXPRESS WRITTEN PERMISSION FROM SOTECH LTD. © SOTECH-OPTIMA.



OPTIMA 300 ADJUSTMENT 302mm–342mm
 OPTIMA 270 ADJUSTMENT 272mm–312mm
 OPTIMA 240 ADJUSTMENT 242mm–282mm
 OPTIMA 210 ADJUSTMENT 212mm–252mm
 OPTIMA 180 ADJUSTMENT 182mm–222mm



OPTIMA 150 ADJUSTMENT 152mm–192mm
 OPTIMA 120 ADJUSTMENT 122mm–162mm
 OPTIMA 90 ADJUSTMENT 92mm–132mm
 OPTIMA 60 ADJUSTMENT 62mm–102mm
 OPTIMA 40 ADJUSTMENT 47mm–67mm

**HORIZONTAL SECTIONS
 TOLERANCES FOR ADJUSTMENT**

BRACKETS	Adjustment range for each bracket (mm)	
Optima 40	from 47	to 67
Optima 60	from 62	to 102
Optima 90	from 92	to 132
Optima 120	from 122	to 162
Optima 150	from 152	to 192
Optima 180	from 182	to 222
Optima 210	from 212	to 252
Optima 240	from 242	to 282
Optima 270	from 272	to 312
Optima 300	from 302	to 342

Sotech reserve the right to update details at any time



2 Traynor Way,
 Whitehouse Business Park,
 Peterlee, Co. Durham,
 SR8 2RU

www.sotech-optima.co.uk

General Tel : 0191 5872287

Email : technical@sotech-optima.co.uk

Technical Tel : 0191 5879213

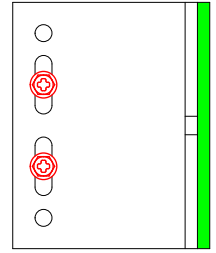
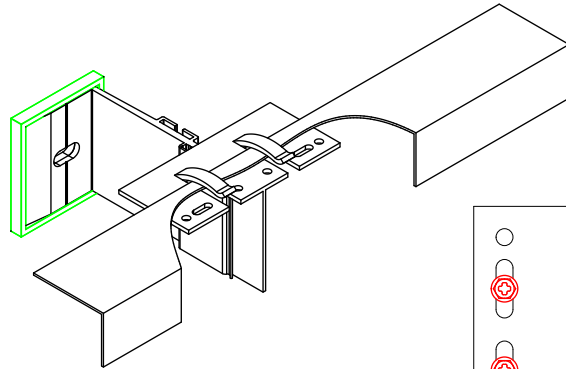
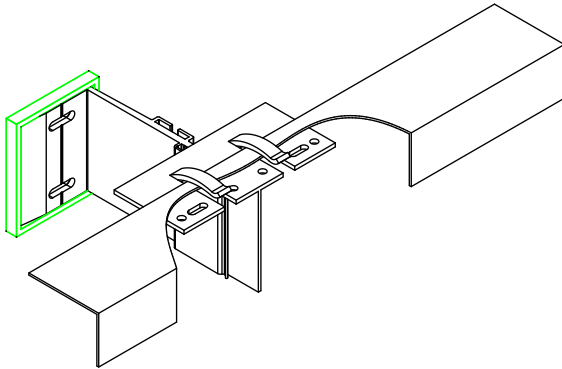
Title: **VERTICAL BRACKET ZONES**

Date: **16-Oct-19** Drawn: **TR** Scale: **Do Not Scale** **A4**

Drawing No: **XPC-VT-BRKT-ZONES** Rev: **0**

THE INFORMATION DEPICTED IS CONFIDENTIAL AND REMAINS THE PROPERTY OF SOTECH LTD. IT MUST NOT BE COPIED BY ANY MEANS AND MUST NOT BE DIVULGED TO THIRD PARTIES WITHOUT EXPRESS WRITTEN PERMISSION FROM SOTECH LTD. © SOTECH-OPTIMA.

SFS_SDA5 Stainless
Steel screws **must** be fitted
in either 2 holes fixed point
or 2 slots floating point into either "L" or "T" rail

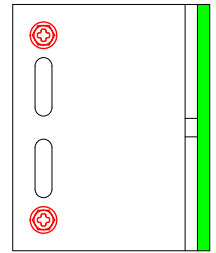


floating point

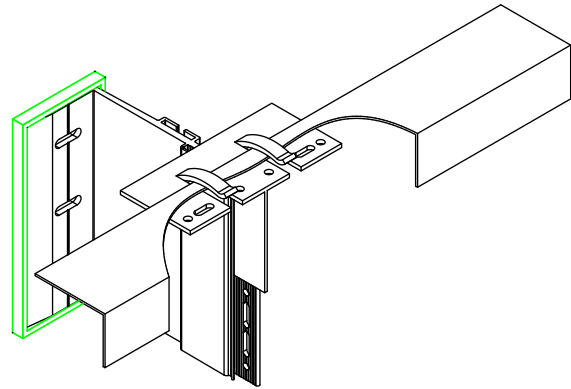
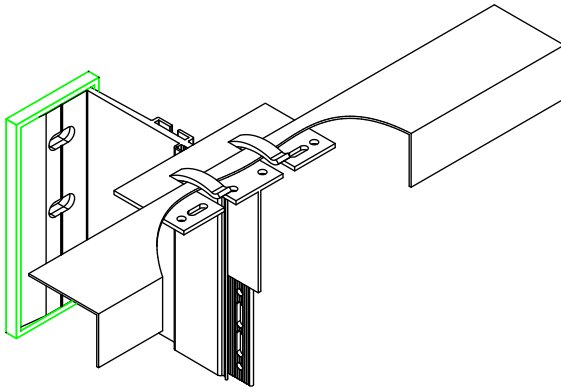
SFS_SDA5 Stainless
Steel screws **must** be fitted
in either 4 holes fixed point
or 4 slots floating point into "L" or "T" rail



Refer to Static calculations
prepared for your project or to Structural
Engineers requirements



fixed point



6.5mm slots for steel / timber
/SIPS substrate

11mm slots for concrete / blockwork
substrate

Sotech reserve the right to update details at any time



2 Traynor Way,
Whitehouse Business Park,
Peterlee, Co. Durham,
SR8 2RU

www.sotech-optima.co.uk
Email : technical@sotech-optima.co.uk

General Tel : 0191 5872287
Technical Tel : 0191 5879213

Title: **Bracket to Horizontal Rail Fixing Detail**

Date: 16-Oct-19	Drawn: TR	Scale: Do Not Scale	A4
---------------------------	---------------------	-------------------------------	-----------

Drawing No: XPC-VT-BRKT-FIX	Rev: 0
---------------------------------------	------------------