



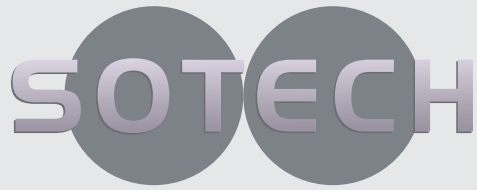
**SOTECH**

**SOTECH OPTIMA TFC+**  
SYSTEM DETAILS

Hook on through fix cassette rainscreen.

Mechanical fixing methods and no use of glue, providing true A1 and A2 cladding systems.

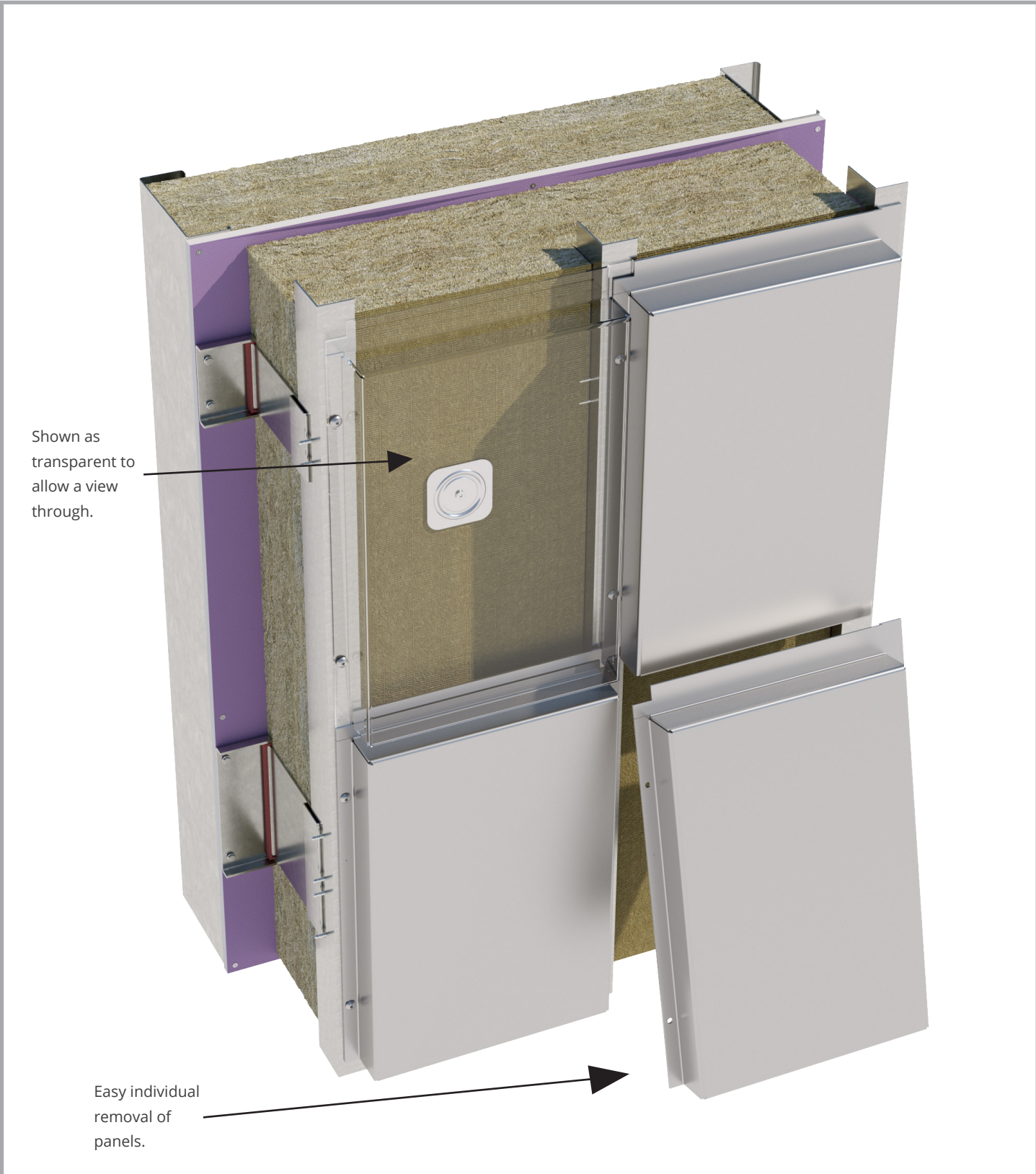
**OPTIMA**<sup>®</sup>  
TFC+



# CONTENTS

## Sotech Optima TFC+

1. Optima TFC+ Through Fix Cassette Rainscreen Facade
  2. Vertical Joint Detail (TFC+\_VERT\_JOINT)
  3. Horizontal Joint Detail (TFC+\_HORIZ\_JOINT)
    4. Coping Detail (TFC+\_Coping)
    5. Cill Detail (TFC+\_Cill)
6. Additional Carrier Support Vertical Detail (TFC+\_ADD\_SUPPORT\_VERT)
7. Additional Support Bracket Horizontal Detail (TFC+\_ADD\_SUPPORT\_HORIZ)
  8. External Corner Detail (TFC+\_EXT\_CNR)
9. External Corner Detail (Bolted Option) (TFC+\_EXT\_CNR\_BTD)
  10. Internal Corner Detail (TFC+\_INT\_CNR)
11. Facade Abutment Detail (TFC+\_ABUT\_DETAIL)
12. Window Jamb Detail (TFC+\_WIN\_JAMB)
13. Window Head/Cill Detail (TFC+\_WIN\_HEAD\_CILL)
14. Vertical Cavity Barrier Detail (TFC+\_VERT\_CAVITY)
15. Horizontal Cavity Barrier Detail (TFC+\_HORIZ\_CAVITY)
  16. Bracket-Clad Zones (TFC+\_BRK\_ZONES)



NOTES:

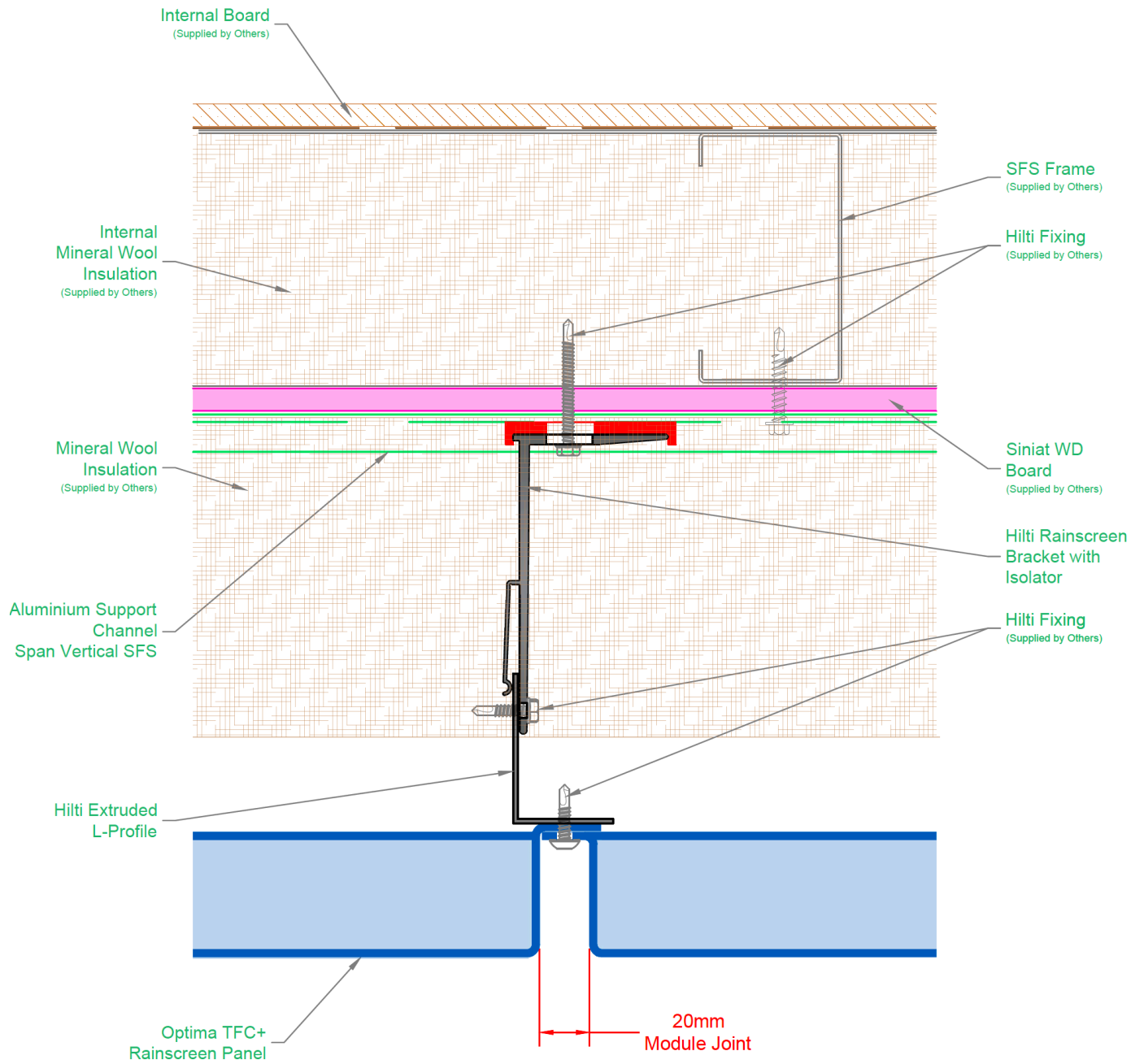
TITLE:	Optima TFC+ Through Fix Cassette Rainscreen Facade					
DATE:	20-07-20	DRAWN:	LG	SCALE:	Do Not Scale	A4
DRAWING NO:				REV:		0

Sotech reserve the right to update details at any time

THE INFORMATION DEPICTED IS CONFIDENTIAL AND REMAINS THE PROPERTY OF SOTECH LTD. IT MUST NOT BE COPIED BY ANY MEANS AND MUST NOT BE DIVULGED TO THIRD PARTIES WITHOUT EXPRESS WRITTEN PERMISSION FROM SOTECH LTD. © SOTECH-OPTIMA.



TECHNICAL ENQUIRIES : 44 (0) 191 587 9213 | GENERAL ENQUIRIES: +44 (0) 191 587 2287  
 technical@sotech-optima.co.uk | www.sotech-optima.co.uk  
 SOTECH, 2 Traynor Way, Whitehouse Business Park, Peterlee, Co. Durham. SR8 2RU



NOTES:

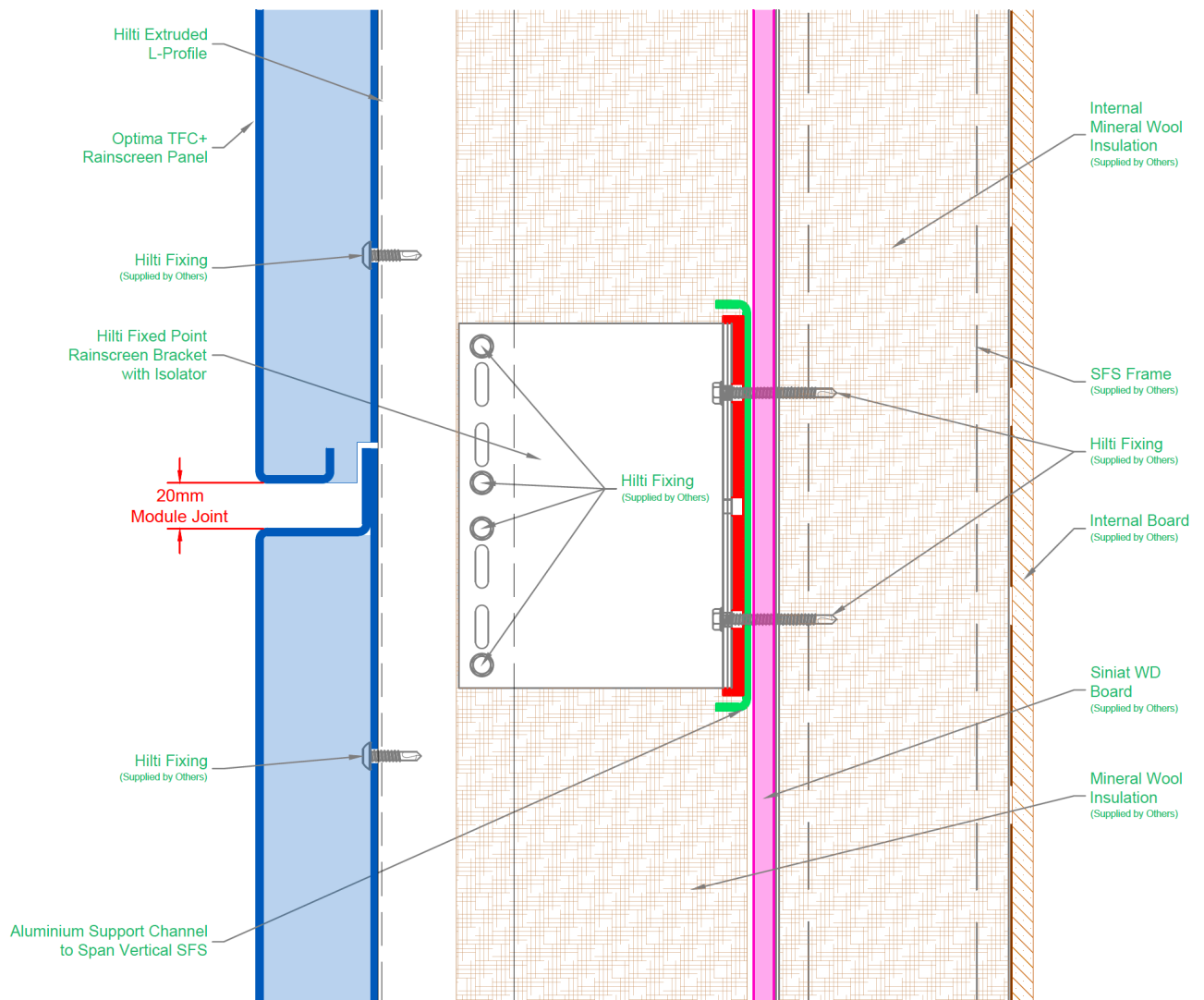
TITLE:	Optima TFC+ Vertical Joint Detail					
DATE:	20-07-20	DRAWN:	LG	SCALE:	Do Not Scale	A4
DRAWING NO:	(TFC+_VERT_JOINT)			REV:	0	

Sotech reserve the right to update details at any time

THE INFORMATION DEPICTED IS CONFIDENTIAL AND REMAINS THE PROPERTY OF SOTECH LTD. IT MUST NOT BE COPIED BY ANY MEANS AND MUST NOT BE DIVULGED TO THIRD PARTIES WITHOUT EXPRESS WRITTEN PERMISSION FROM SOTECH LTD. © SOTECH-OPTIMA.



TECHNICAL ENQUIRIES : 44 (0) 191 587 9213 | GENERAL ENQUIRIES: +44 (0) 191 587 2287  
 technical@sotech-optima.co.uk | www.sotech-optima.co.uk  
 SOTECH, 2 Traynor Way, Whitehouse Business Park, Peterlee, Co. Durham. SR8 2RU



NOTES:

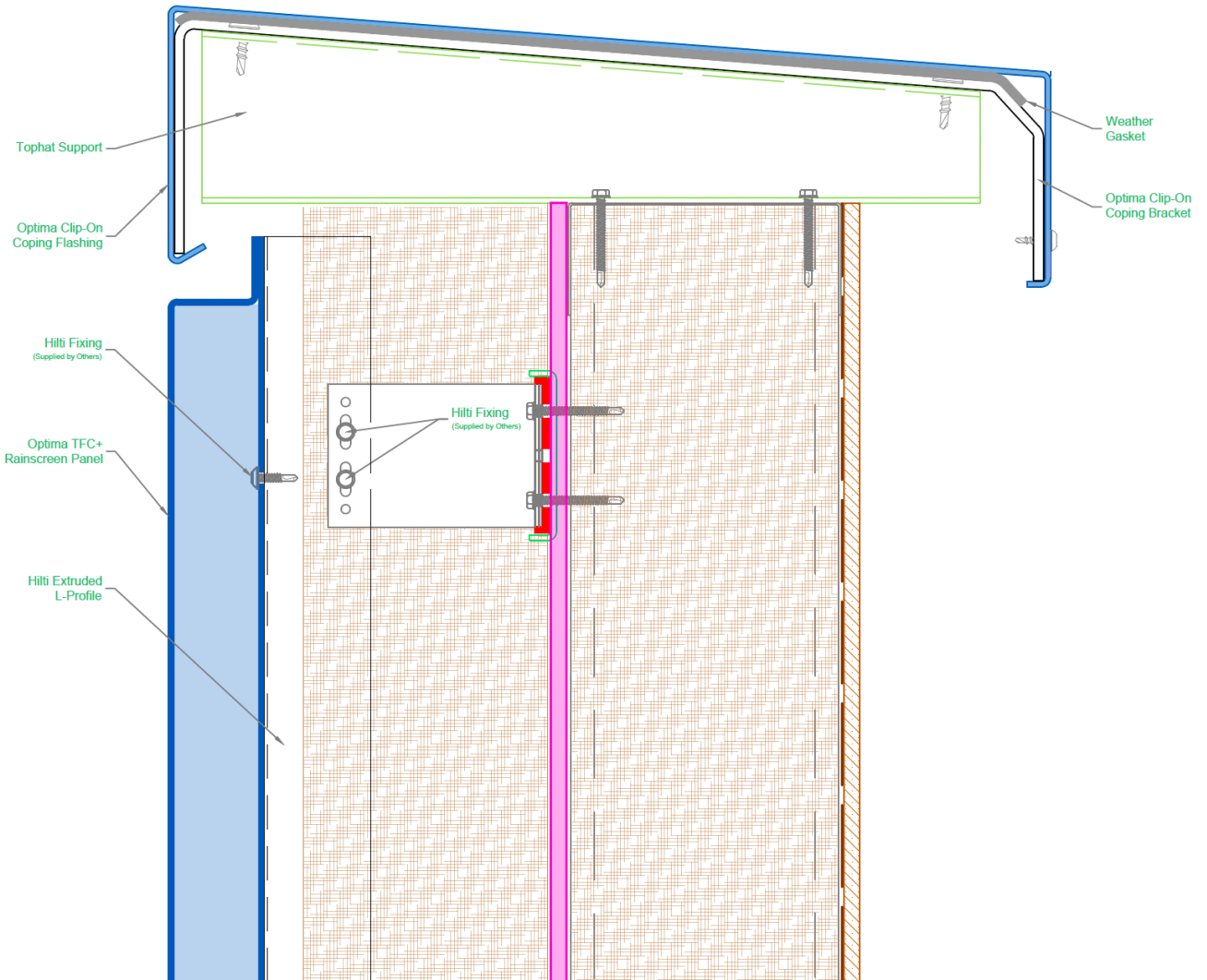
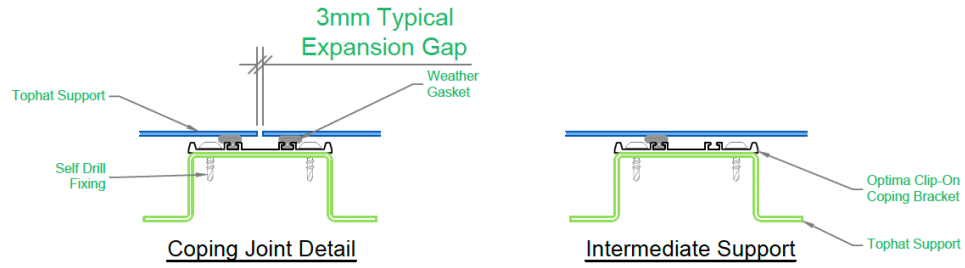
TITLE:	Optima TFC+ Horizontal Joint Detail					
DATE:	20-07-20	DRAWN:	LG	SCALE:	Do Not Scale	A4
DRAWING NO:	(TFC+_HORIZ_JOINT)			REV:	0	

Sotech reserve the right to update details at any time

THE INFORMATION DEPICTED IS CONFIDENTIAL AND REMAINS THE PROPERTY OF SOTECH LTD. IT MUST NOT BE COPIED BY ANY MEANS AND MUST NOT BE DIVULGED TO THIRD PARTIES WITHOUT EXPRESS WRITTEN PERMISSION FROM SOTECH LTD. © SOTECH-OPTIMA.



TECHNICAL ENQUIRIES : 44 (0) 191 587 9213 | GENERAL ENQUIRIES: +44 (0) 191 587 2287  
 technical@sotech-optima.co.uk | www.sotech-optima.co.uk  
 SOTECH, 2 Traynor Way, Whitehouse Business Park, Peterlee, Co. Durham. SR8 2RU



NOTES:

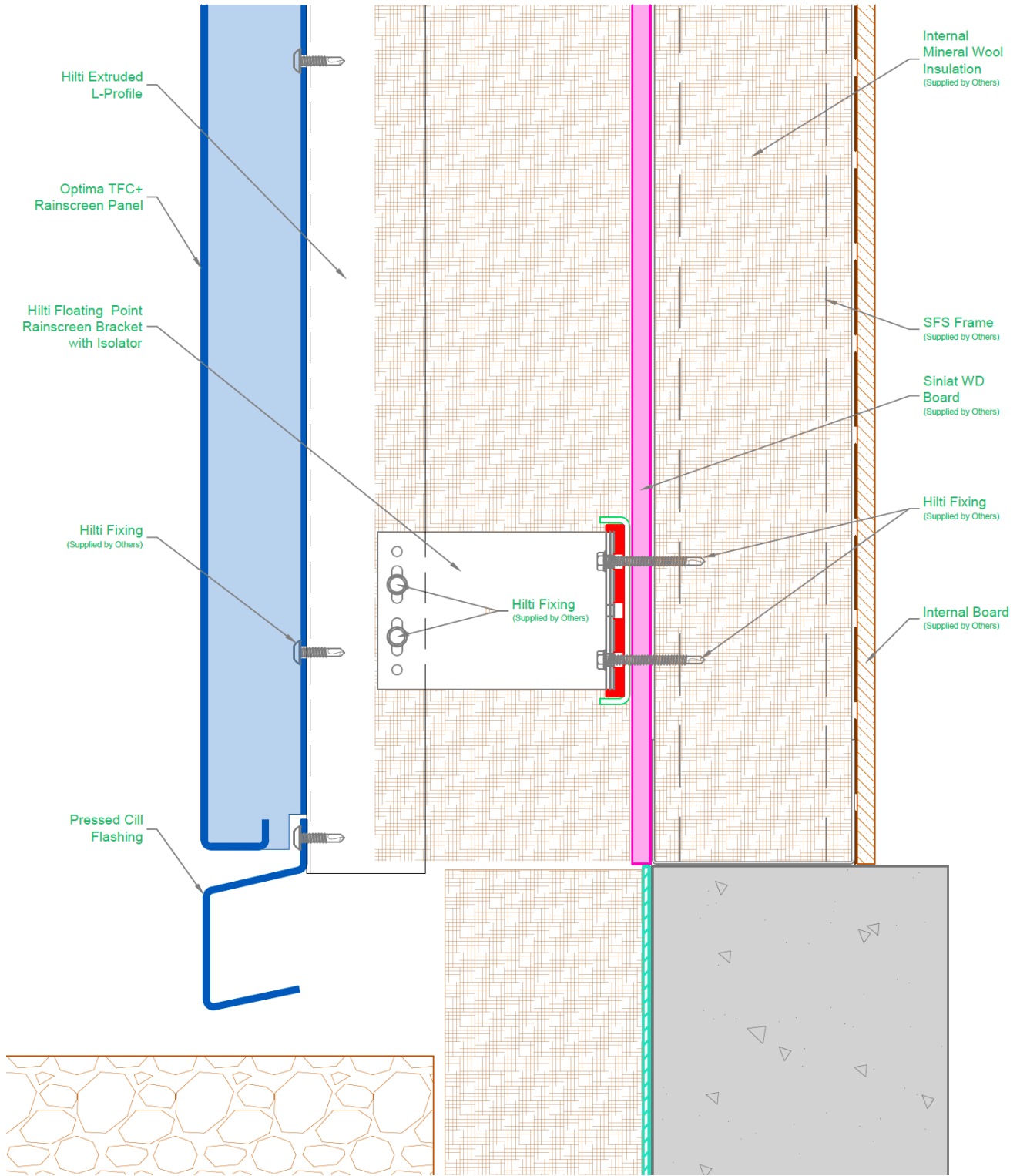
TITLE:	Optima TFC+ Coping Detail					
DATE:	20-07-20	DRAWN:	LG	SCALE:	Do Not Scale	A4
DRAWING NO:	(TFC+_Coping)			REV:	0	

Sotech reserve the right to update details at any time

THE INFORMATION DEPICTED IS CONFIDENTIAL AND REMAINS THE PROPERTY OF SOTECH LTD. IT MUST NOT BE COPIED BY ANY MEANS AND MUST NOT BE DIVULGED TO THIRD PARTIES WITHOUT EXPRESS WRITTEN PERMISSION FROM SOTECH LTD. © SOTECH-OPTIMA.



TECHNICAL ENQUIRIES : 44 (0) 191 587 9213 | GENERAL ENQUIRIES: +44 (0) 191 587 2287  
 technical@sotech-optima.co.uk | www.sotech-optima.co.uk  
 SOTECH, 2 Traynor Way, Whitehouse Business Park, Peterlee, Co. Durham. SR8 2RU



NOTES:

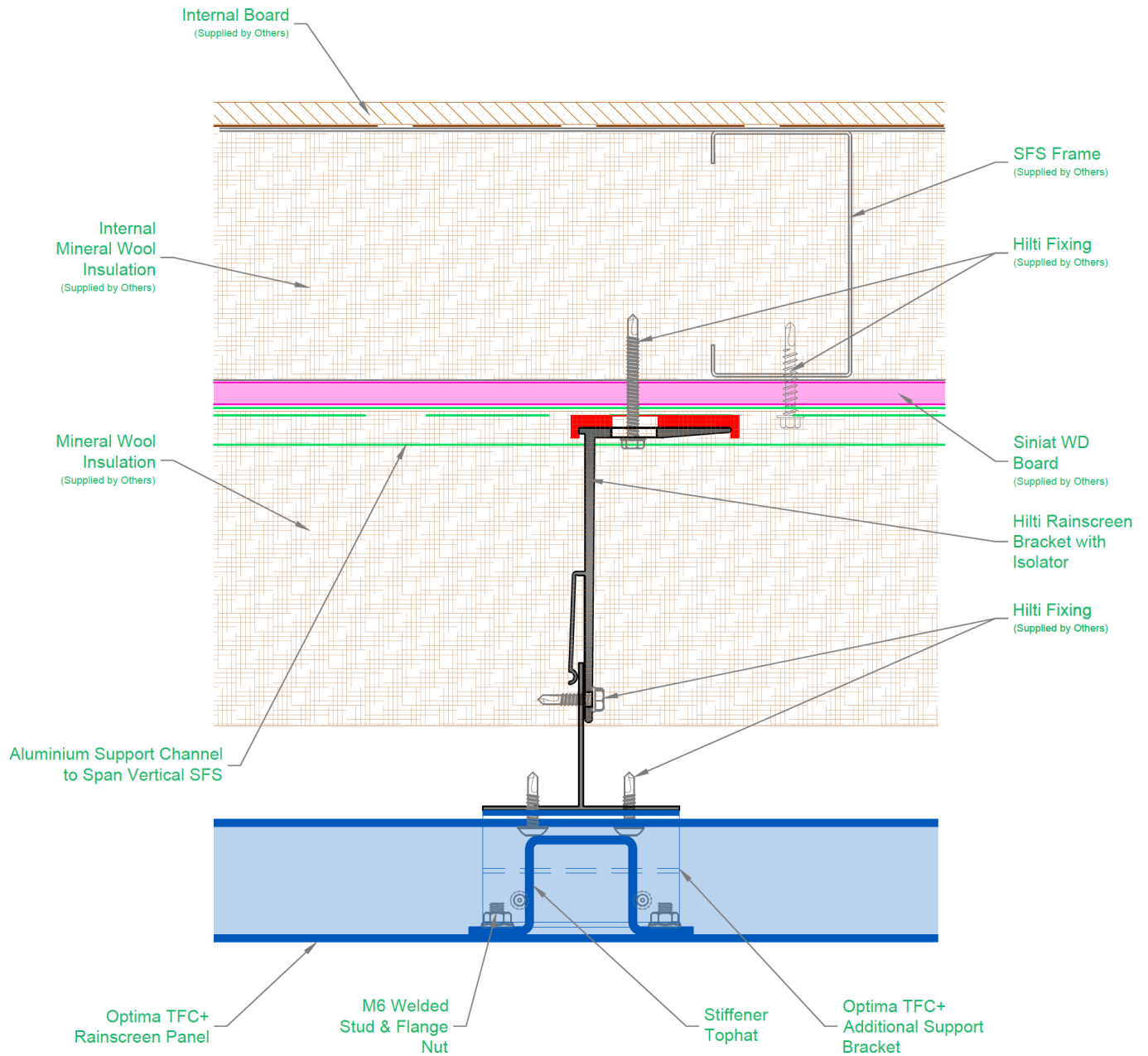
TITLE:	Optima TFC+ Cill Detail					
DATE:	20-07-20	DRAWN:	LG	SCALE:	Do Not Scale	A4
DRAWING NO:	(TFC+_Cill)			REV:	0	

Sotech reserve the right to update details at any time

THE INFORMATION DEPICTED IS CONFIDENTIAL AND REMAINS THE PROPERTY OF SOTECH LTD. IT MUST NOT BE COPIED BY ANY MEANS AND MUST NOT BE DIVULGED TO THIRD PARTIES WITHOUT EXPRESS WRITTEN PERMISSION FROM SOTECH LTD. © SOTECH-OPTIMA.



TECHNICAL ENQUIRIES : 44 (0) 191 587 9213 | GENERAL ENQUIRIES: +44 (0) 191 587 2287  
 technical@sotech-optima.co.uk | www.sotech-optima.co.uk  
 SOTECH, 2 Traynor Way, Whitehouse Business Park, Peterlee, Co. Durham. SR8 2RU



NOTES:

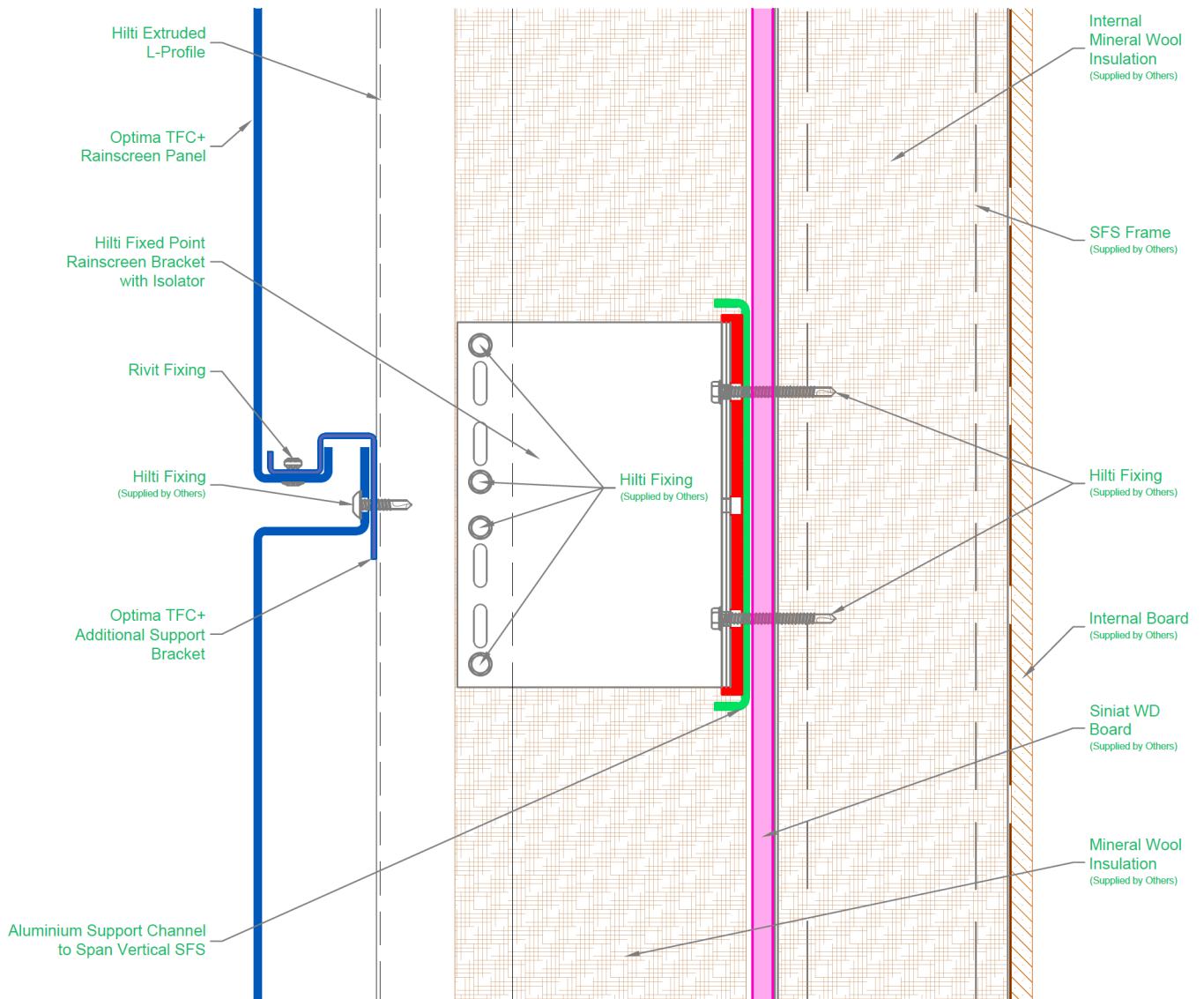
TITLE:	Optima TFC+ Additional Carrier Support Vertical Detail					
DATE:	20-07-20	DRAWN:	LG	SCALE:	Do Not Scale	A4
DRAWING NO:	(TFC+_ADD_SUPPORT_VERT)			REV:	0	

Sotech reserve the right to update details at any time

THE INFORMATION DEPICTED IS CONFIDENTIAL AND REMAINS THE PROPERTY OF SOTECH LTD. IT MUST NOT BE COPIED BY ANY MEANS AND MUST NOT BE DIVULGED TO THIRD PARTIES WITHOUT EXPRESS WRITTEN PERMISSION FROM SOTECH LTD. © SOTECH-OPTIMA.



TECHNICAL ENQUIRIES : 44 (0) 191 587 9213 | GENERAL ENQUIRIES: +44 (0) 191 587 2287  
 technical@sotech-optima.co.uk | www.sotech-optima.co.uk  
 SOTECH, 2 Traynor Way, Whitehouse Business Park, Peterlee, Co. Durham. SR8 2RU



NOTES:

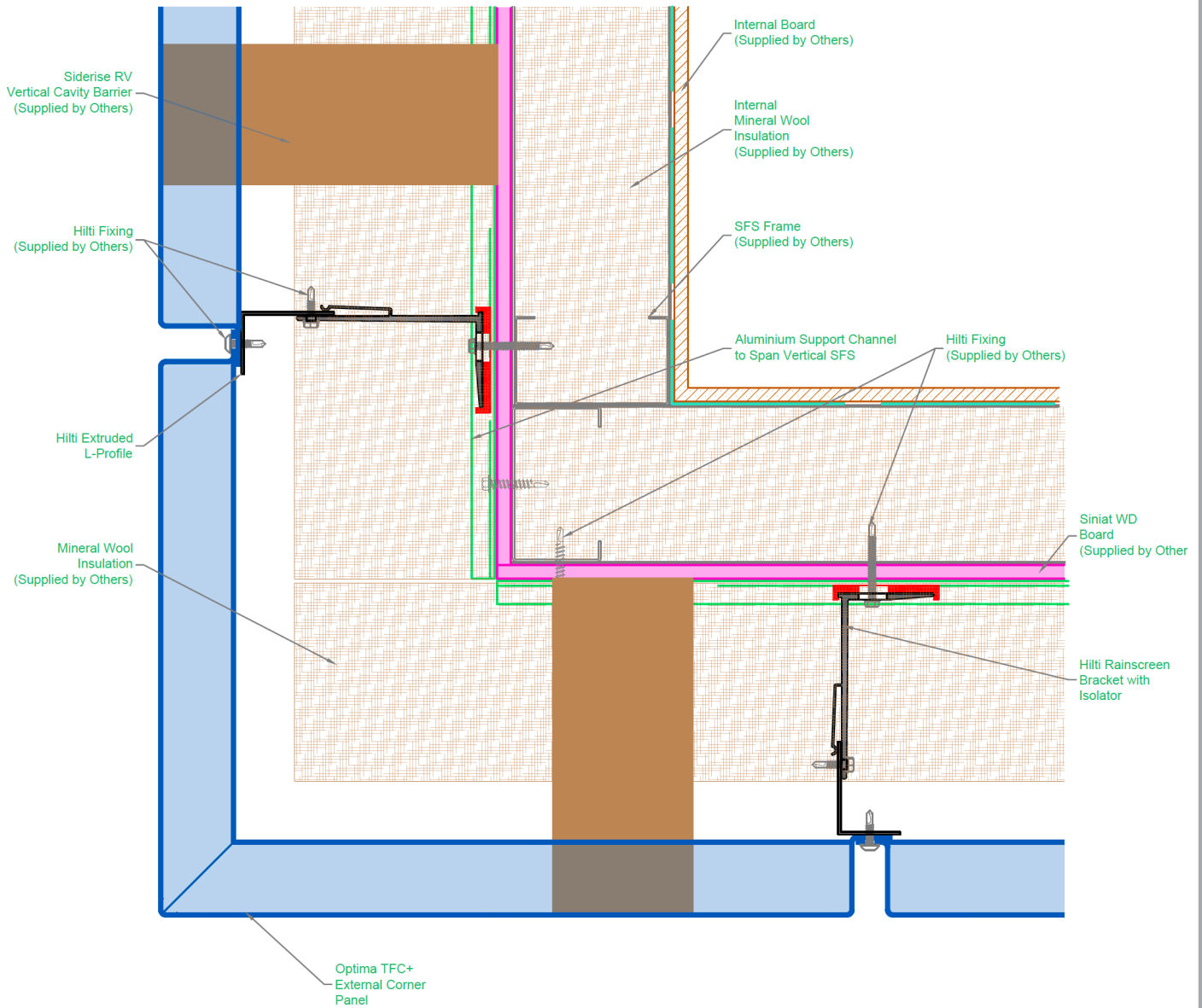
TITLE:	Optima TFC+ Additional Support Bracket Horizontal Detail					
DATE:	20-07-20	DRAWN:	LG	SCALE:	Do Not Scale	A4
DRAWING NO:	(TFC+_ADD_SUPPORT_HORIZ)			REV:	0	

Sotech reserve the right to update details at any time

THE INFORMATION DEPICTED IS CONFIDENTIAL AND REMAINS THE PROPERTY OF SOTECH LTD. IT MUST NOT BE COPIED BY ANY MEANS AND MUST NOT BE DIVULGED TO THIRD PARTIES WITHOUT EXPRESS WRITTEN PERMISSION FROM SOTECH LTD. © SOTECH-OPTIMA.



TECHNICAL ENQUIRIES : 44 (0) 191 587 9213 | GENERAL ENQUIRIES: +44 (0) 191 587 2287  
 technical@sotech-optima.co.uk | www.sotech-optima.co.uk  
 SOTECH, 2 Traynor Way, Whitehouse Business Park, Peterlee, Co. Durham. SR8 2RU



NOTES:

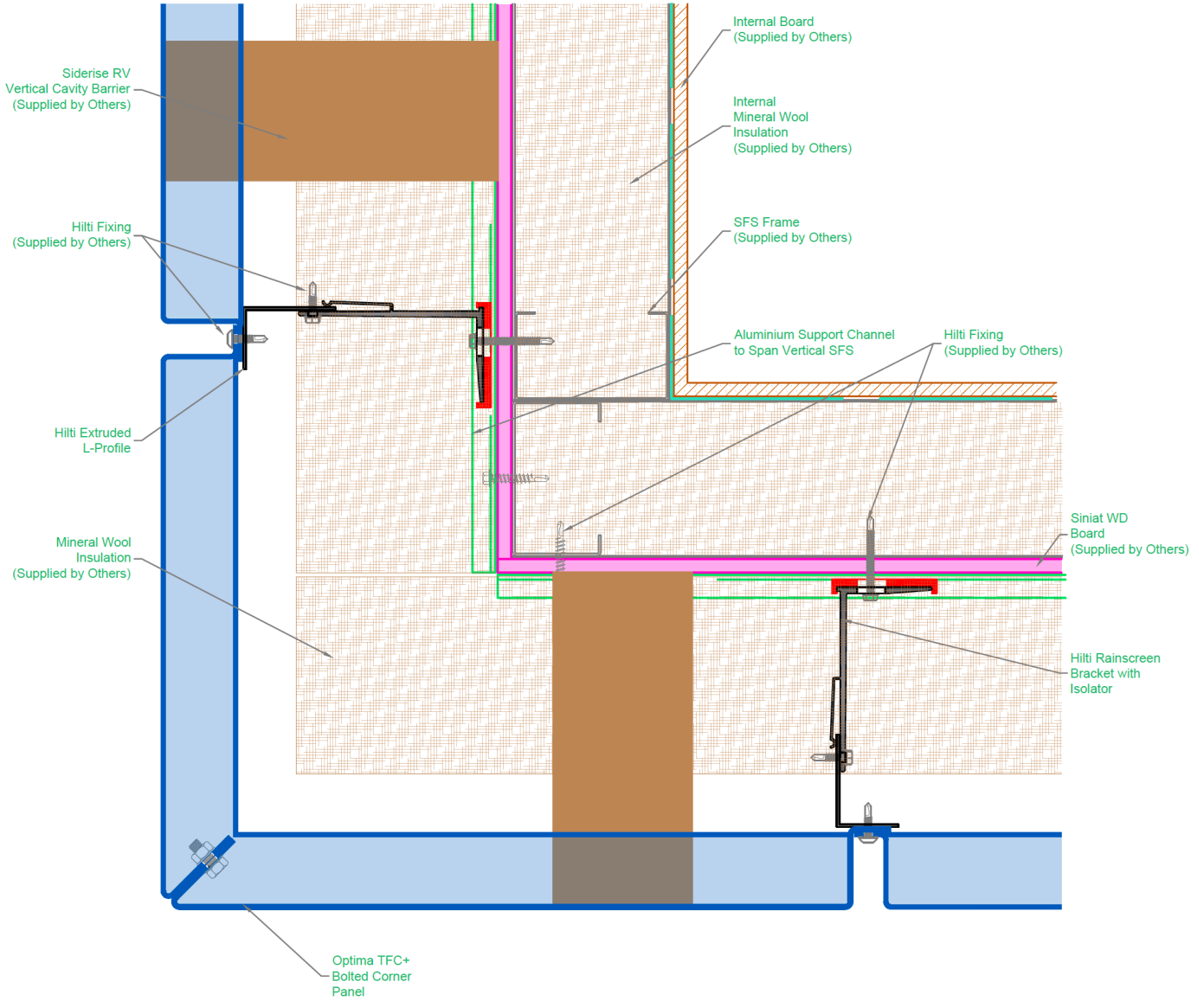
TITLE:	Optima TFC+ External Corner Detail					
DATE:	20-07-20	DRAWN:	LG	SCALE:	Do Not Scale	A4
DRAWING NO:	(TFC+_EXT_CNR)			REV:	0	

Sotech reserve the right to update details at any time

THE INFORMATION DEPICTED IS CONFIDENTIAL AND REMAINS THE PROPERTY OF SOTECH LTD. IT MUST NOT BE COPIED BY ANY MEANS AND MUST NOT BE DIVULGED TO THIRD PARTIES WITHOUT EXPRESS WRITTEN PERMISSION FROM SOTECH LTD. © SOTECH-OPTIMA.



TECHNICAL ENQUIRIES : 44 (0) 191 587 9213 | GENERAL ENQUIRIES: +44 (0) 191 587 2287  
 technical@sotech-optima.co.uk | www.sotech-optima.co.uk  
 SOTECH, 2 Traynor Way, Whitehouse Business Park, Peterlee, Co. Durham. SR8 2RU



NOTES:

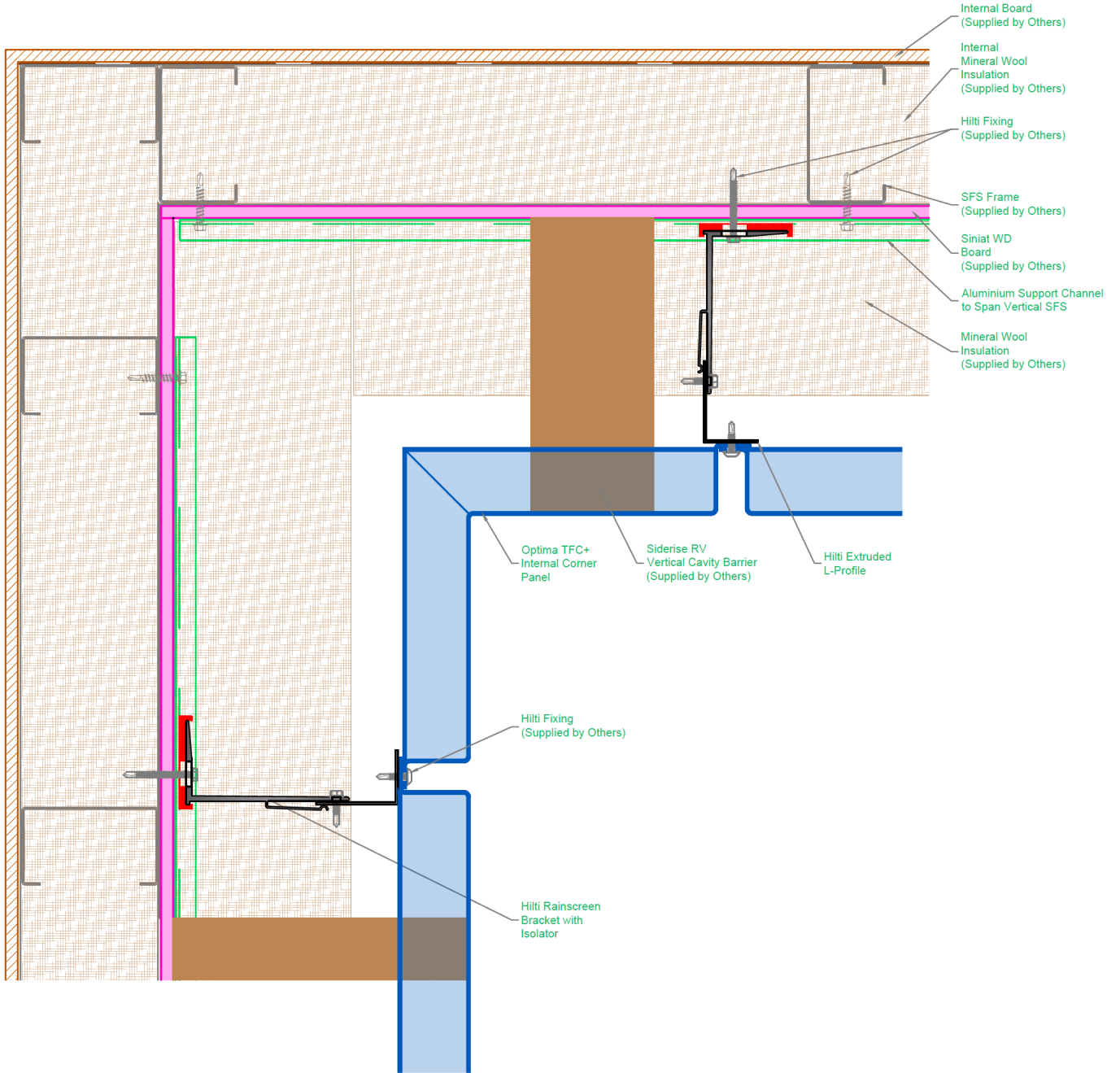
TITLE:	Optima TFC+ External Corner Detail (Bolted Option)					
DATE:	20-07-20	DRAWN:	LG	SCALE:	Do Not Scale	A4
DRAWING NO:	(TFC+_EXT_CNR_BTD)			REV:	0	

Sotech reserve the right to update details at any time

THE INFORMATION DEPICTED IS CONFIDENTIAL AND REMAINS THE PROPERTY OF SOTECH LTD. IT MUST NOT BE COPIED BY ANY MEANS AND MUST NOT BE DIVULGED TO THIRD PARTIES WITHOUT EXPRESS WRITTEN PERMISSION FROM SOTECH LTD. © SOTECH-OPTIMA.



TECHNICAL ENQUIRIES : 44 (0) 191 587 9213 | GENERAL ENQUIRIES: +44 (0) 191 587 2287  
 technical@sotech-optima.co.uk | www.sotech-optima.co.uk  
 SOTECH, 2 Traynor Way, Whitehouse Business Park, Peterlee, Co. Durham. SR8 2RU



NOTES:

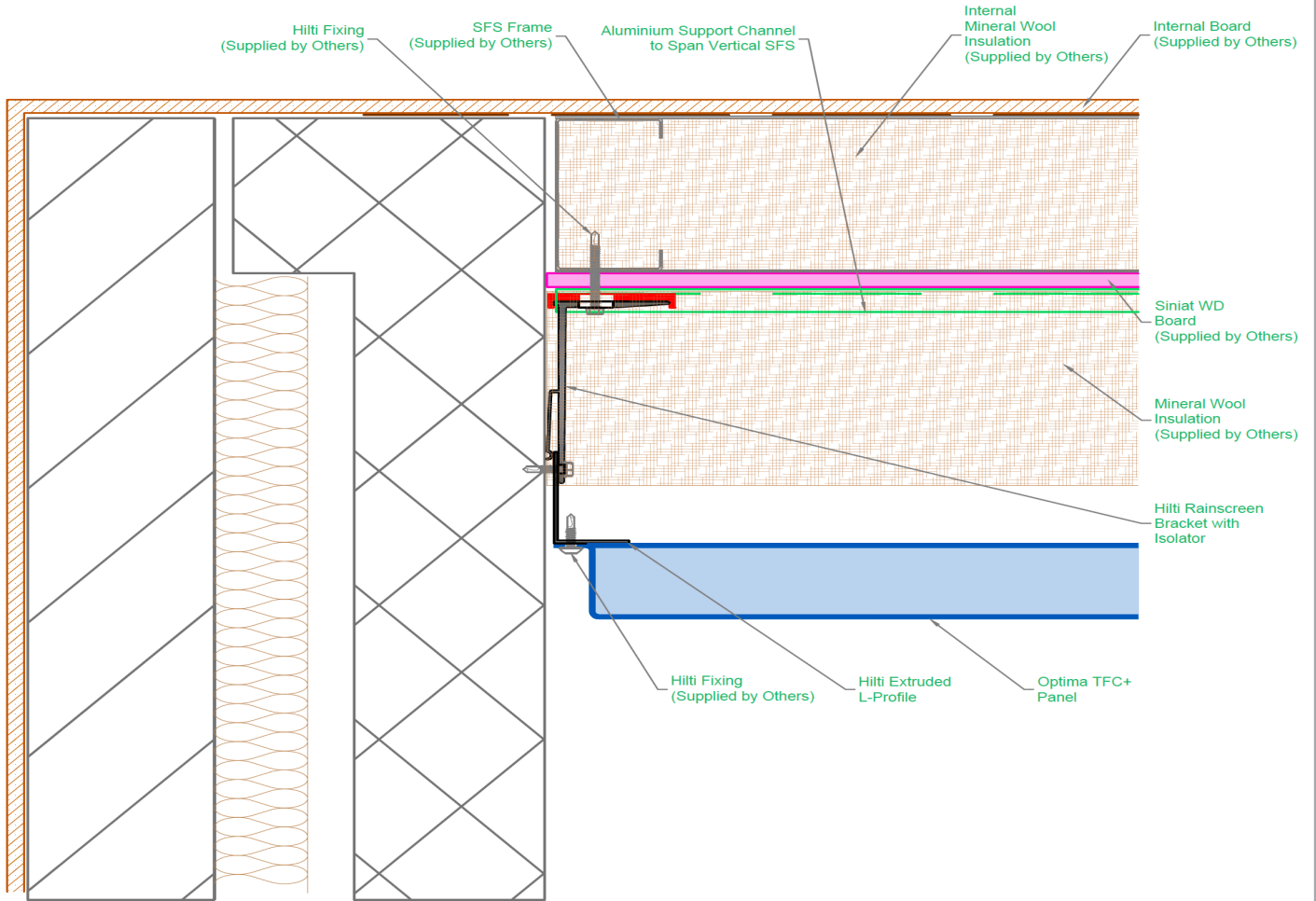
TITLE:	Optima TFC+ Internal Corner Detail					
DATE:	20-07-20	DRAWN:	LG	SCALE:	Do Not Scale	A4
DRAWING NO:	(TFC+_INT_CNR)			REV:	0	

Sotech reserve the right to update details at any time

THE INFORMATION DEPICTED IS CONFIDENTIAL AND REMAINS THE PROPERTY OF SOTECH LTD. IT MUST NOT BE COPIED BY ANY MEANS AND MUST NOT BE DIVULGED TO THIRD PARTIES WITHOUT EXPRESS WRITTEN PERMISSION FROM SOTECH LTD. © SOTECH-OPTIMA.



TECHNICAL ENQUIRIES : 44 (0) 191 587 9213 | GENERAL ENQUIRIES: +44 (0) 191 587 2287  
 technical@sotech-optima.co.uk | www.sotech-optima.co.uk  
 SOTECH, 2 Traynor Way, Whitehouse Business Park, Peterlee, Co. Durham. SR8 2RU



NOTES:

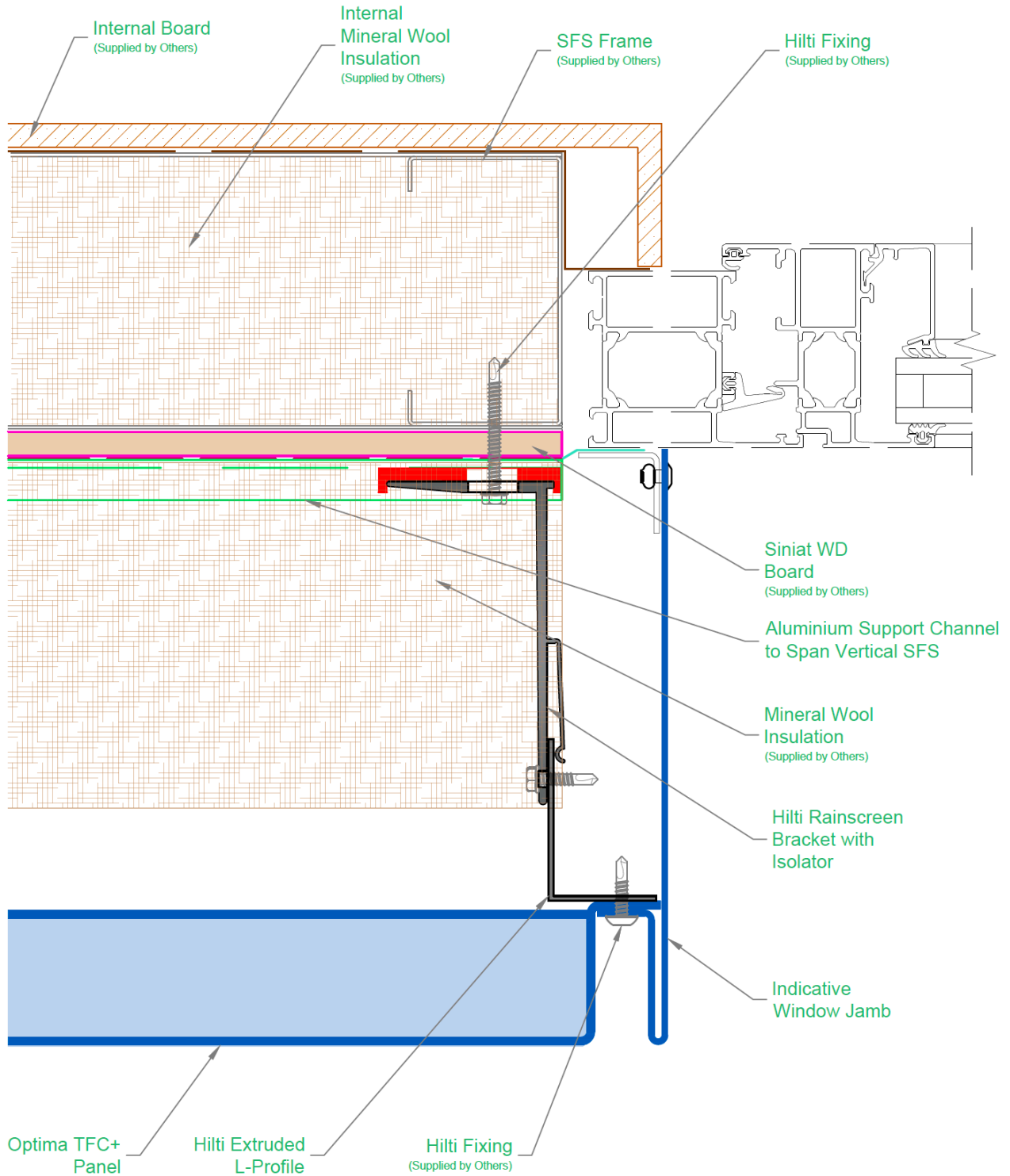
TITLE:	Optima TFC+ Facade Abutment Detail					
DATE:	20-07-20	DRAWN:	LG	SCALE:	Do Not Scale	A4
DRAWING NO:	(TFC+_ABUT_DETAIL)			REV:	0	

Sotech reserve the right to update details at any time

THE INFORMATION DEPICTED IS CONFIDENTIAL AND REMAINS THE PROPERTY OF SOTECH LTD. IT MUST NOT BE COPIED BY ANY MEANS AND MUST NOT BE DIVULGED TO THIRD PARTIES WITHOUT EXPRESS WRITTEN PERMISSION FROM SOTECH LTD. © SOTECH-OPTIMA.



TECHNICAL ENQUIRIES : 44 (0) 191 587 9213 | GENERAL ENQUIRIES: +44 (0) 191 587 2287  
 technical@sotech-optima.co.uk | www.sotech-optima.co.uk  
 SOTECH, 2 Traynor Way, Whitehouse Business Park, Peterlee, Co. Durham. SR8 2RU



NOTES:

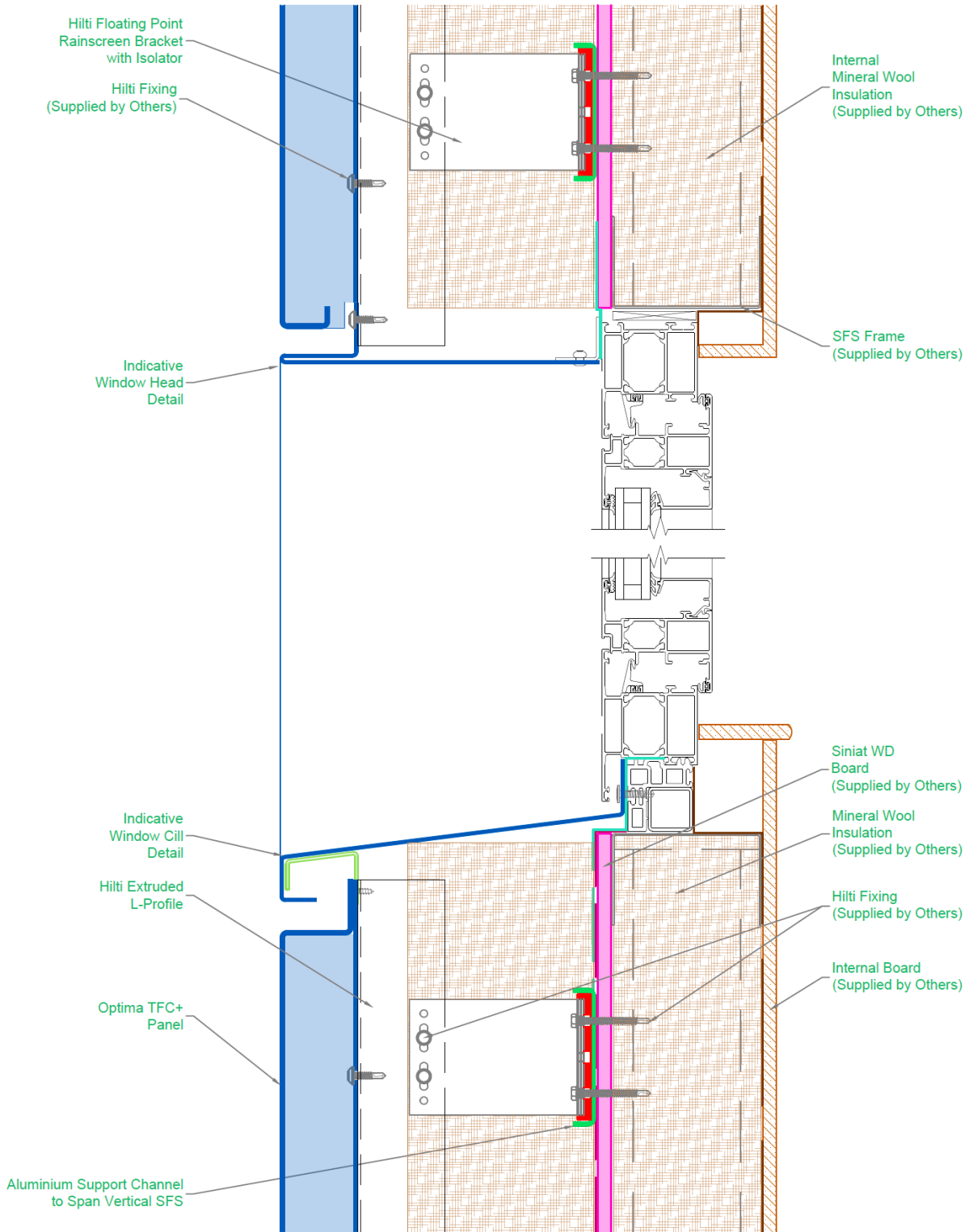
TITLE:	Optima TFC+ Window Jamb Detail					
DATE:	20-07-20	DRAWN:	LG	SCALE:	Do Not Scale	A4
DRAWING NO:	(TFC+_WIN_JAMB)			REV:	0	

Sotech reserve the right to update details at any time

THE INFORMATION DEPICTED IS CONFIDENTIAL AND REMAINS THE PROPERTY OF SOTECH LTD. IT MUST NOT BE COPIED BY ANY MEANS AND MUST NOT BE DIVULGED TO THIRD PARTIES WITHOUT EXPRESS WRITTEN PERMISSION FROM SOTECH LTD. © SOTECH-OPTIMA.



TECHNICAL ENQUIRIES : 44 (0) 191 587 9213 | GENERAL ENQUIRIES: +44 (0) 191 587 2287  
 technical@sotech-optima.co.uk | www.sotech-optima.co.uk  
 SOTECH, 2 Traynor Way, Whitehouse Business Park, Peterlee, Co. Durham. SR8 2RU



NOTES:

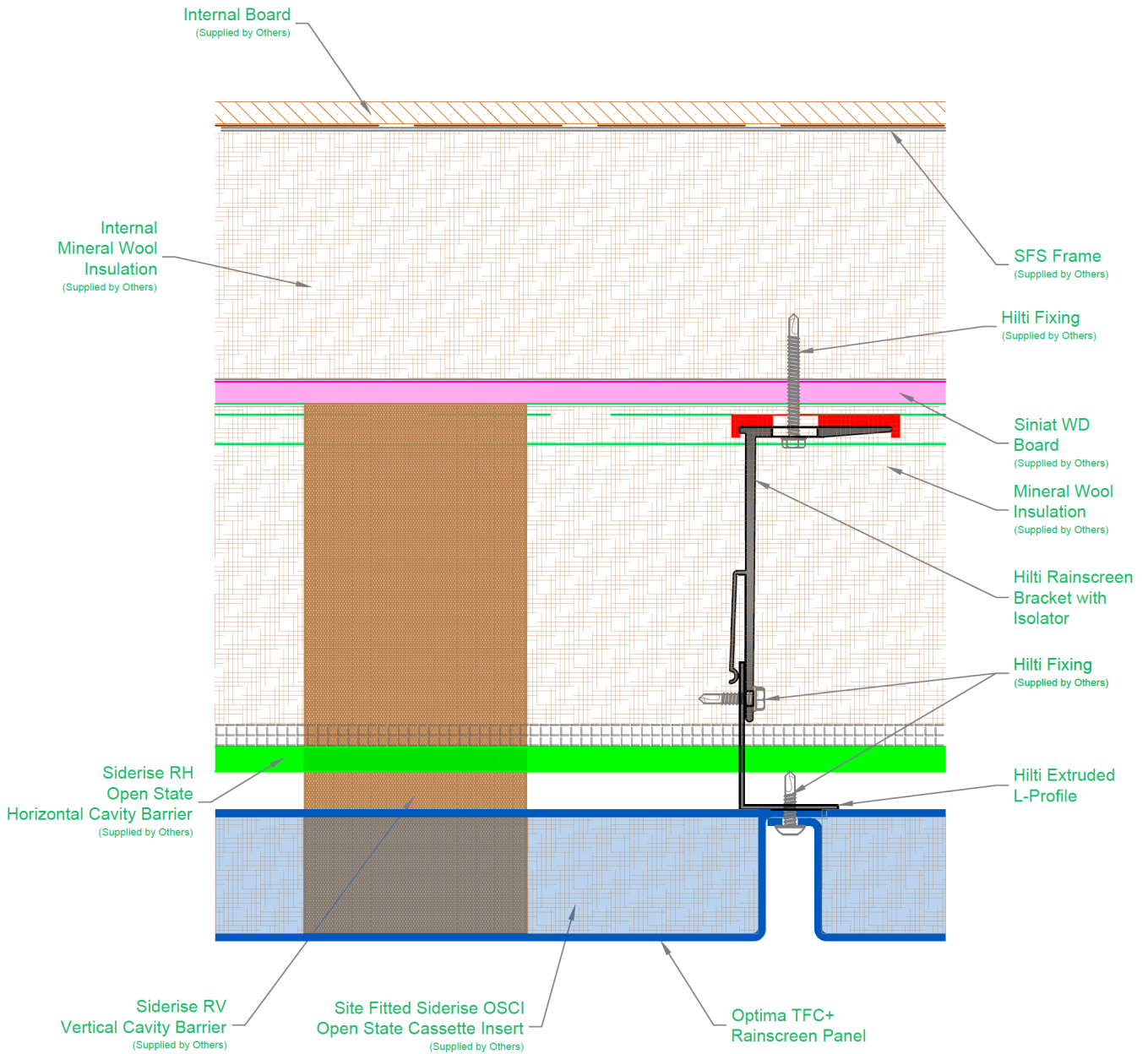
TITLE:	Optima TFC+ Window Head/Cill Detail					
DATE:	20-07-20	DRAWN:	LG	SCALE:	Do Not Scale	A4
DRAWING NO:	(TFC+_WIN_HEAD_CILL)			REV:	0	

Sotech reserve the right to update details at any time

THE INFORMATION DEPICTED IS CONFIDENTIAL AND REMAINS THE PROPERTY OF SOTECH LTD. IT MUST NOT BE COPIED BY ANY MEANS AND MUST NOT BE DIVULGED TO THIRD PARTIES WITHOUT EXPRESS WRITTEN PERMISSION FROM SOTECH LTD. © SOTECH-OPTIMA.



TECHNICAL ENQUIRIES : 44 (0) 191 587 9213 | GENERAL ENQUIRIES: +44 (0) 191 587 2287  
 technical@sotech-optima.co.uk | www.sotech-optima.co.uk  
 SOTECH, 2 Traynor Way, Whitehouse Business Park, Peterlee, Co. Durham. SR8 2RU



NOTES:

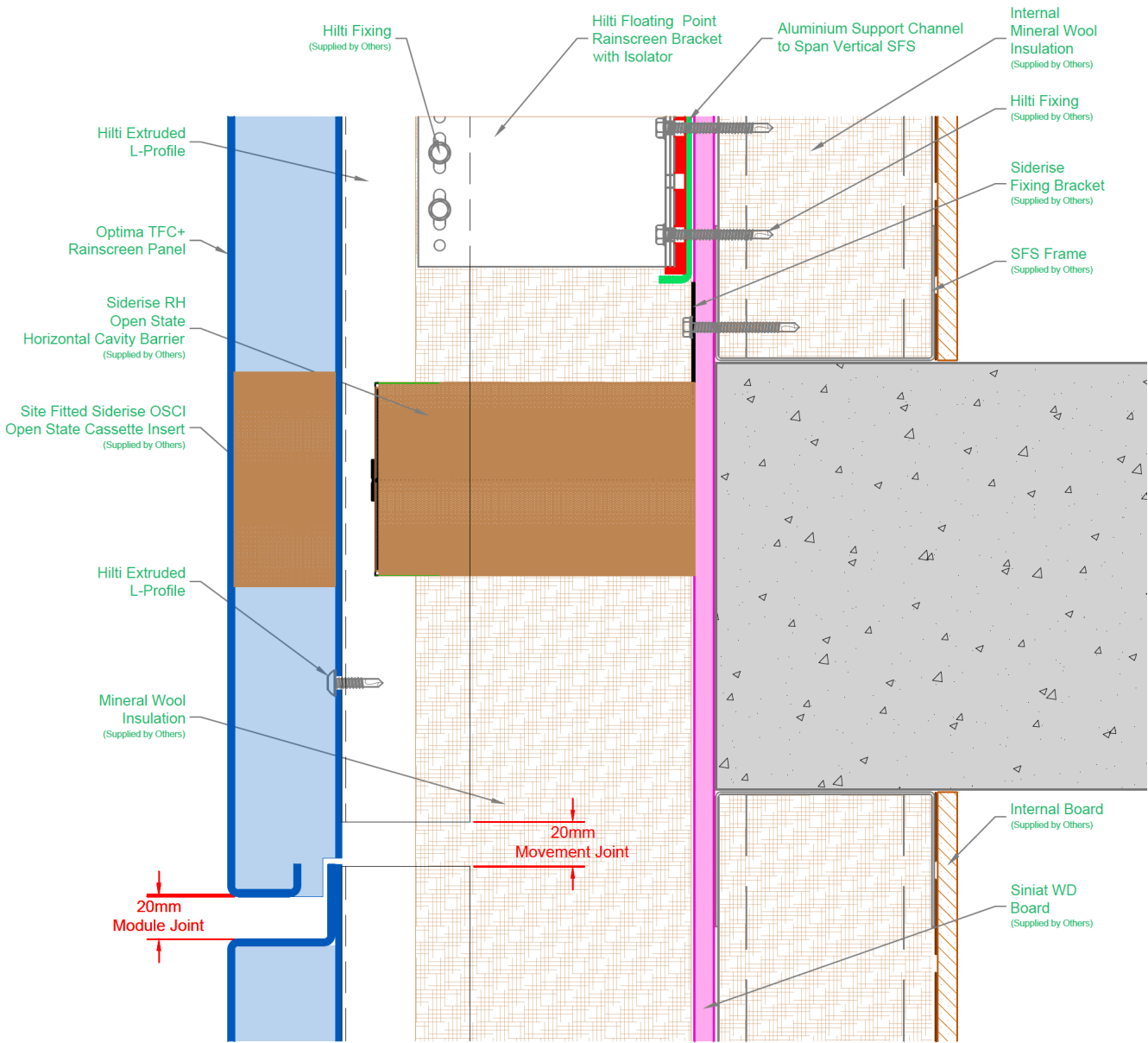
TITLE:	Optima TFC+ Vertical Cavity Barrier Detail					
DATE:	20-07-20	DRAWN:	LG	SCALE:	Do Not Scale	A4
DRAWING NO:	(TFC+_VERT_CAVITY)			REV:	0	

Sotech reserve the right to update details at any time

THE INFORMATION DEPICTED IS CONFIDENTIAL AND REMAINS THE PROPERTY OF SOTECH LTD. IT MUST NOT BE COPIED BY ANY MEANS AND MUST NOT BE DIVULGED TO THIRD PARTIES WITHOUT EXPRESS WRITTEN PERMISSION FROM SOTECH LTD. © SOTECH-OPTIMA.



TECHNICAL ENQUIRIES : 44 (0) 191 587 9213 | GENERAL ENQUIRIES: +44 (0) 191 587 2287  
 technical@sotech-optima.co.uk | www.sotech-optima.co.uk  
 SOTECH, 2 Traynor Way, Whitehouse Business Park, Peterlee, Co. Durham. SR8 2RU



NOTES:

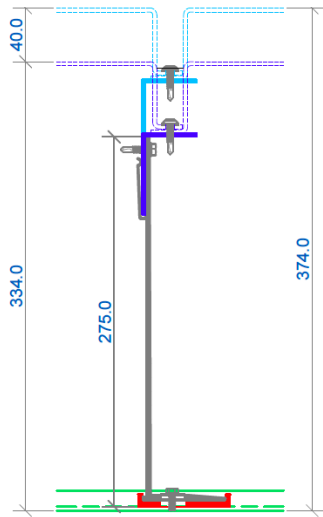
TITLE:	Optima TFC+ Horizontal Cavity Barrier Detail					
DATE:	20-07-20	DRAWN:	LG	SCALE:	Do Not Scale	A4
DRAWING NO:	(TFC+_HORIZ_CAVITY)			REV:	0	

Sotech reserve the right to update details at any time

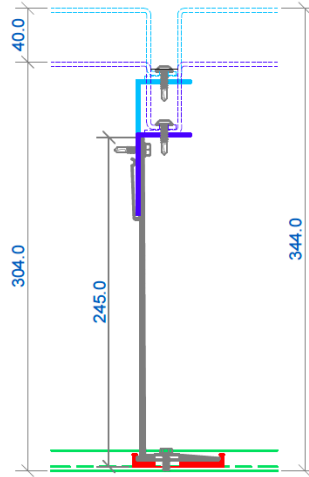
THE INFORMATION DEPICTED IS CONFIDENTIAL AND REMAINS THE PROPERTY OF SOTECH LTD. IT MUST NOT BE COPIED BY ANY MEANS AND MUST NOT BE DIVULGED TO THIRD PARTIES WITHOUT EXPRESS WRITTEN PERMISSION FROM SOTECH LTD. © SOTECH-OPTIMA.



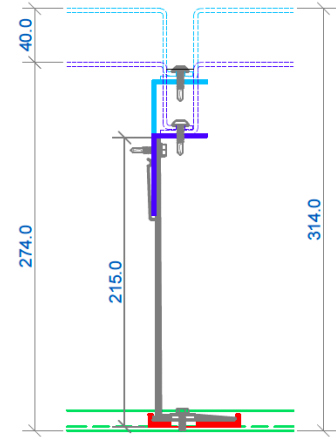
TECHNICAL ENQUIRIES : 44 (0) 191 587 9213 | GENERAL ENQUIRIES: +44 (0) 191 587 2287  
 technical@sotech-optima.co.uk | www.sotech-optima.co.uk  
 SOTECH, 2 Traynor Way, Whitehouse Business Park, Peterlee, Co. Durham. SR8 2RU



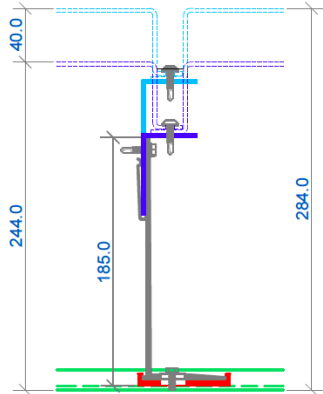
**275 Bracket**  
 ADJUSTMENT= +/- 40mm  
 Clad Zone= 344mm to 374mm



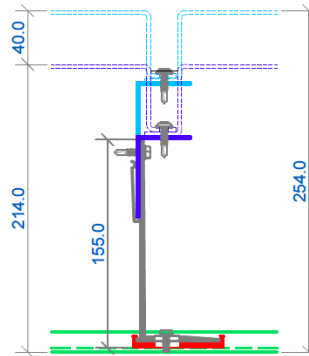
**245 Bracket**  
 ADJUSTMENT= +/- 40mm  
 Clad Zone= 304mm to 344mm



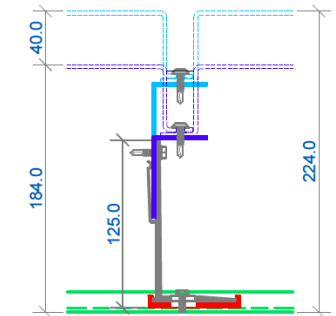
**215 Bracket**  
 ADJUSTMENT= +/- 40mm  
 Clad Zone= 274mm to 314mm



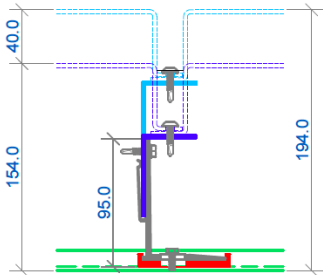
**185 Bracket**  
 ADJUSTMENT= +/- 40mm  
 Clad Zone= 244mm to 284mm



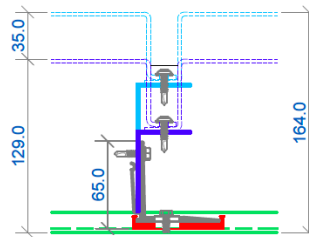
**155 Bracket**  
 ADJUSTMENT= +/- 40mm  
 Clad Zone= 214mm to 254mm



**125 Bracket**  
 ADJUSTMENT= +/- 40mm  
 Clad Zone= 184mm to 224mm



**95 Bracket**  
 ADJUSTMENT= +/- 40mm  
 Clad Zone= 154mm to 194mm



**65 Bracket**  
 ADJUSTMENT= +/- 40mm  
 Clad Zone= 129mm to 164mm

NOTES:

TITLE:	Optima TFC+ Bracket-Clad Zones				
DATE:	20-07-20	DRAWN:	LG	SCALE:	Do Not Scale
DRAWING NO:	(TFC+_BRK_ZONES)			REV:	0

Sotech reserve the right to update details at any time

THE INFORMATION DEPICTED IS CONFIDENTIAL AND REMAINS THE PROPERTY OF SOTECH LTD. IT MUST NOT BE COPIED BY ANY MEANS AND MUST NOT BE DIVULGED TO THIRD PARTIES WITHOUT EXPRESS WRITTEN PERMISSION FROM SOTECH LTD. © SOTECH-OPTIMA.



TECHNICAL ENQUIRIES : 44 (0) 191 587 9213 | GENERAL ENQUIRIES: +44 (0) 191 587 2287  
 technical@sotech-optima.co.uk | www.sotech-optima.co.uk  
 SOTECH, 2 Traynor Way, Whitehouse Business Park, Peterlee, Co. Durham. SR8 2RU