



Features & Benefits

- 0-10Vdc output
- Flush mounted
- 24Vac/dc powered
- Energy saving by dimming light ballast

Technical Overview

The LL-C-V is a light level transmitter designed for use in the active control of artificial lighting, both to optimise light levels and to achieve maximum energy efficiency.

Using a photo-diode cell to detect light levels the LL-C-V provides a 10-2000 lux range, with a linear 0-10Vdc output signal.

Product Codes

LL-C-V Internal Ceiling Mounted Light Level Sensor

Specification

Sensor reference	Photo-diode
Accuracy	±5% across range
Field of view	360°
Coverage	6 metres max.
Light range	10 - 2000 Lux
Supply Voltage	24Vac/dc
Ambient	
Temperature	-10 to +40°C
Humidity	90%RH non-condensing
Material	Flame retardant ABS, polypropylene
Protection	IP30
Country of Origin	UK

WEEE Directive:



At the end of the products useful life please dispose as per the local regulations.
Do not dispose of with normal household waste.
Do not burn.



The products referred to in this data sheet meet the requirements of EU Directive 2014/30/EU

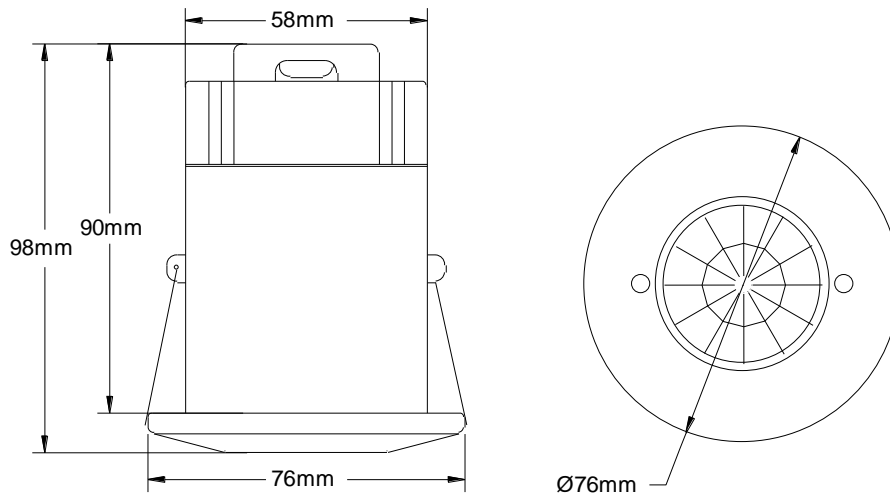
Installation & Connections

- Avoid direct sunlight entering the sensor.
 - Do not site within 1m of forced air heating or ventilation.
 - Do not site within 1m of any lighting.
 - Do not fix to a vibrating surface.
1. Ensure that the ceiling tile is of suitable material to support the weight of the unit and that there is sufficient clearance above the ceiling and cut a 68mm hole in the ceiling tile.
 2. Remove the protective cover from the top of the detector to expose the wiring terminals.
 3. Unscrew the cable relief fitting and pass the wiring cables through the protective cover. Wire at the terminals provided as required and replace the protective cover and tighten the cable strain relief.
 4. Hold the main body and carefully press the outer ends of the spring clips in towards the body. Push the unit through the mounting hole until the front bezel is flat against the ceiling.

- V Supply voltage 24Vac/dc
- 0V Supply 0V
- 0V Output 0V
- OP 0-10Vdc output



Dimensions



Whilst every effort has been made to ensure the accuracy of this specification, Sontay cannot accept responsibility for damage, injury, loss or expense from errors or omissions. In the interest of technical improvement, this specification may be altered without notice.

Tel: +44 (0)1732 861200 - E-mail: sales@sontay.com - Web: www.sontay.com

© 2017 Sontay Limited. All rights reserved