



Features & Benefits

- Combined light level & occupancy detection
- Flush mounted
- 6 meter coverage
- Energy saving
- Easy adjustment of light level and delay time

Technical Overview

The LL-C-M is designed to give savings over uncontrolled lighting whilst retaining an ease of installation and configuration.

A Passive Infra-Red detector monitors occupancy through moving body heat and a photo-sensitive device monitors light level. This will ensure that lighting is only switched on when the area covered is occupied and the light level is too low for normal working use. In this way lighting remains off until required.

Product Codes

LL-C-M 240Vac Ceiling mounted lighting controller

Specification

Occupancy Sensor	Passive Infra-Red Detector
Field of view	360°
Coverage	6 metres(19.7ft) max.
Light range	10 - 2000 Lux
Type	Class 2I
Off Delay Timer	10 seconds to 30 minutes
Supply Voltage	230Vac @ 50Hz
Switching Capacity	8A incandescent, 6A fluorescent
Electrical Connections	Live, Neutral & Switched Live
Ambient	
Temperature	-10 to +40°C
Humidity	90%RH non-condensing
Material	Flame retardant ABS, polypropylene
Protection	IP30
Country of Origin	UK

WEEE Directive:



At the end of the products useful life please dispose as per the local regulations.
Do not dispose of with normal household waste.
Do not burn.

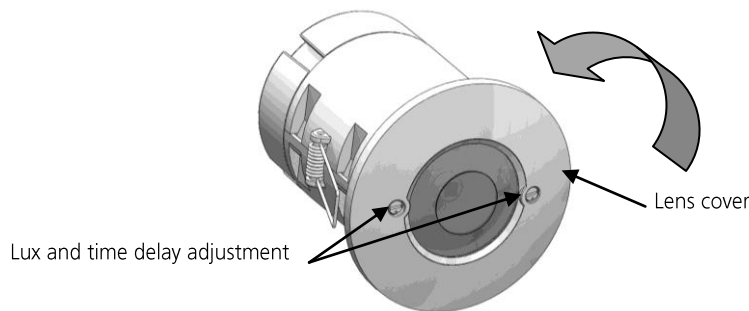


The products referred to in this data sheet meet the requirements of EU 2014/30/EU and 2014/35/EU

Installation

The detector should be sited so that the occupants of the room fall inside the detection pattern shown overleaf, at a recommended ceiling height of 2.8m. Note that the lower the sensor is installed the smaller the detection range will be, subject to the parameters shown on the diagram.

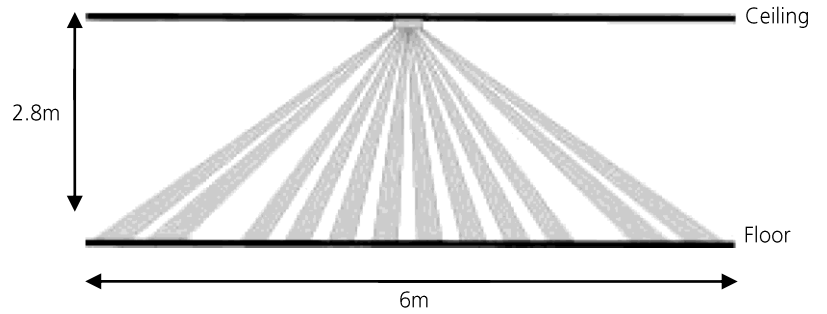
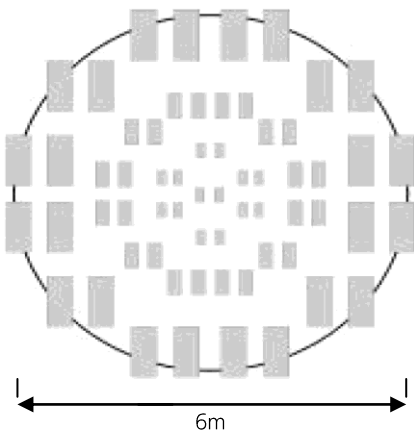
- Avoid direct sunlight entering the sensor.
 - Do not site within 1m of forced air heating or ventilation.
 - Do not site within 1m of any lighting.
 - Do not fix to a vibrating surface.
 - To switch from more than one position simply wire two or more units in parallel.
1. Ensure that the ceiling tile is of suitable material to support the weight of the unit and that there is sufficient clearance above the ceiling and cut a 68mm hole in the ceiling tile.
 2. Remove the protective cover from the top of the detector to expose the wiring terminals.
 3. Unscrew the cable relief fitting and pass the wiring cables through the protective cover. Wire at the terminals provided as required and replace the protective cover and tighten the cable strain relief.
 4. Hold the main body and carefully press the outer ends of the spring clips in towards the body. Push the unit through the mounting hole until the front bezel is flat against the ceiling.
 5. Gently rotate the lens bezel anticlockwise to expose the concealed adjustment potentiometers. Set the LUX level (grey) to maximum fully clockwise) and the time (white) to minimum (fully anticlockwise).



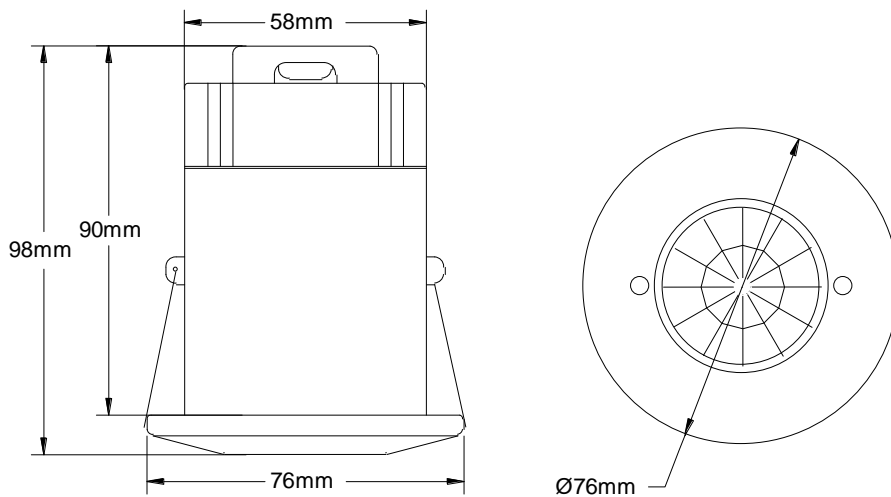
6. Care should be taken while turning the potentiometer screws so that you do not force them beyond the free range of travel.
7. Power the unit up, the load should come on immediately.
8. Vacate the room or remain very still and wait for the load to switch off.
9. Check that the load switches on when movement is detected.
10. To set the final LUX level wait until the level of natural daylight is just enough that lighting is required. Starting with the LUX control fully clockwise (at minimum), very slowly turn the control anti-clockwise until the lights come on.
Note, when the LUX control is at maximum the lights will always come on with occupancy.
11. Set the time delay required.
 - 10 seconds fully anticlockwise
 - 30 minutes fully clockwise
12. Rotate the lens bezel clockwise to conceal the adjustment potentiometers.

Connections & Detector Patten

- N Neutral (in)
- REL Switched live (load)
- L Live (in)



Dimensions



Whilst every effort has been made to ensure the accuracy of this specification, Sontay cannot accept responsibility for damage, injury, loss or expense from errors or omissions. In the interest of technical improvement, this specification may be altered without notice.

Tel: +44 (0)1732 861200 - E-mail: sales@sontay.com - Web: www.sontay.com

© 2017 Sontay Limited. All rights reserved