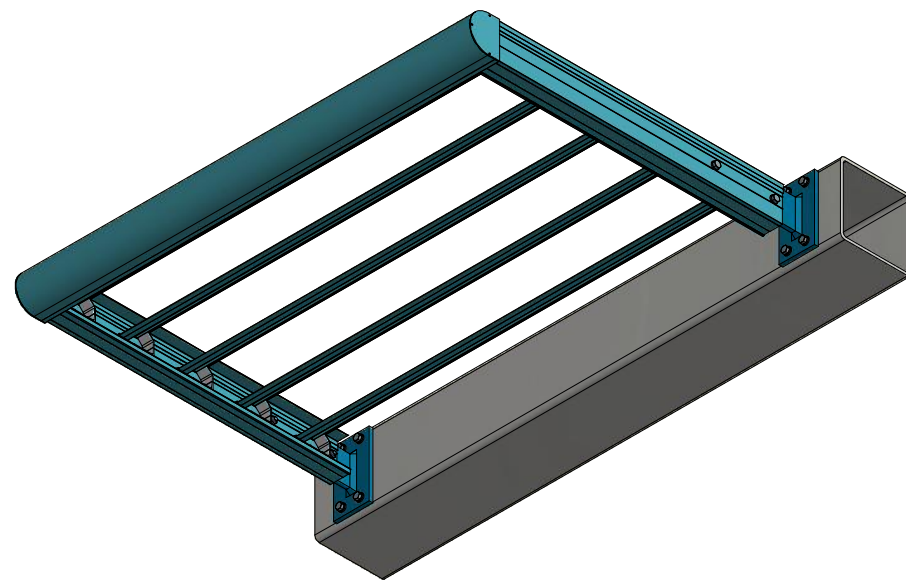
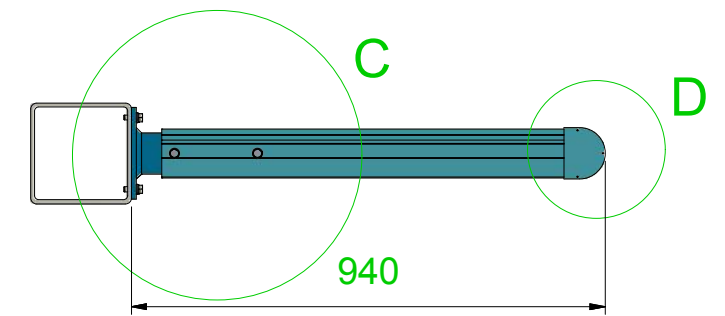
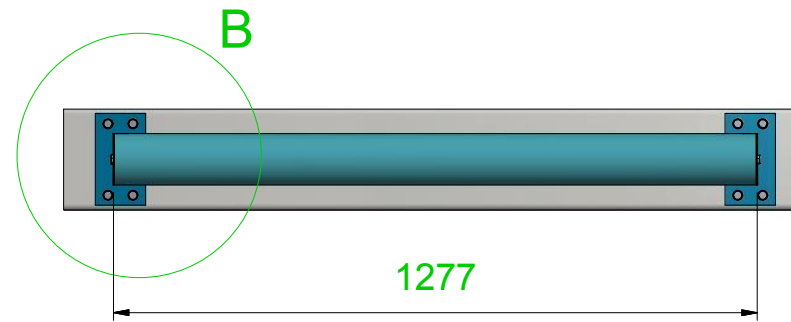
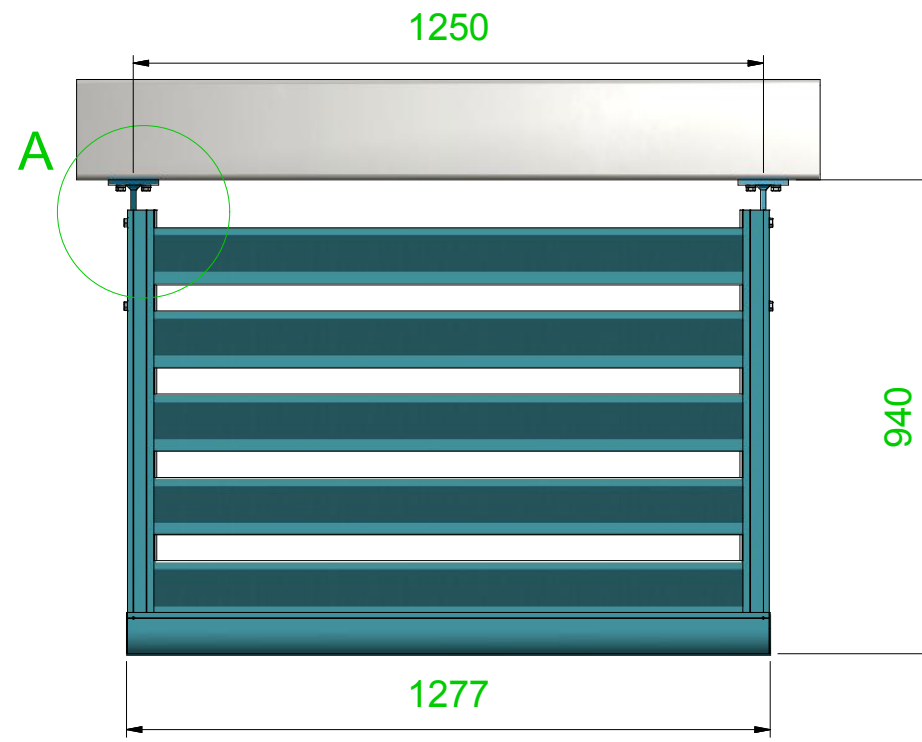
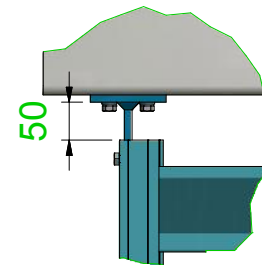


Above view on single Solex Linear panel.

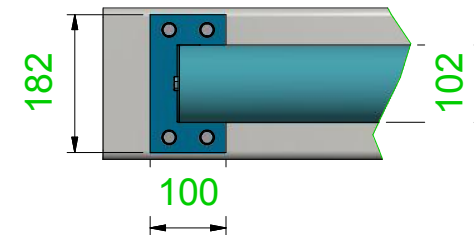


View from below on single Solex Linear panel.

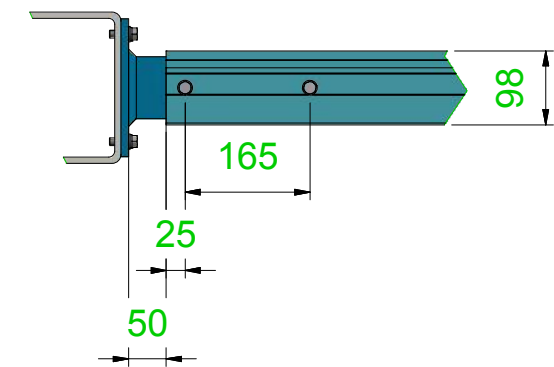
A ( 1:10 )



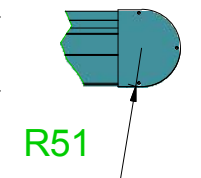
B ( 1:10 )



C ( 1:10 )



D ( 1:10 )



Client:	Solinear Ltd.
Project Ref:	Solex Linear Solar Shading.
Drawing Title:	Solex Linear solar shading - single panel.

Rev	Revision/Issue	Date

IF IN DOUBT ASK      © COPYRIGHT Solinear Limited      DO NOT SCALE

Scale	Drawn by TD
Date 19-02-2013	Checked
Contract ref	Colour Ref
Drawing No. SOLEX-LINEAR-16	Rev.

**Solinear Limited**  
 Oaktree House, Alan Farnaby Way, Sherriff Hutton Industrial Park, Sherriff Hutton, York. YO60 6PG  
 T: 01347 879046  
 mail@solinear.co.uk  
 www.solinear.co.uk