

# SitaPipe PP Pipe System

Safe and fast drainage.  
For heights of up to 15 m.

P

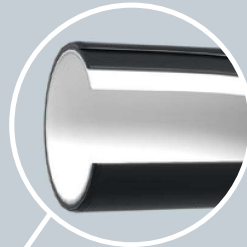


- + For main and emergency drainage
- + UV Stable - Suitable for indoor and outdoor use.
- + 3-layer composite system - dimensional stability and higher impact strength
- + Socket Joints, Pipes and fittings suitable for overpressure up to 1.5 bar, which corresponds to a water column of 15 m
- + The economical push-fit polypropylene pipe system – easy assembly

# SitaPipe PP Pipe System

Safe and fast drainage.  
For heights of up to 15 m.

UV stability for indoor and outdoor use



Shock and impact resistant due to 3-layer composite system



The optimised push-fit system enables tightness with a water column up to 1.5 bar without safety clip. This corresponds to height of 15 m.

B1 – flame retardant flammable according to DIN 4102

Simple push-fit connections without special tools enable a quick assembly.



The structural attachment by pipe clamps with EPDM insert supports the stability of the system.

Compatible with all Sita free flowing gullies.



# SitaPipe PP Pipe System

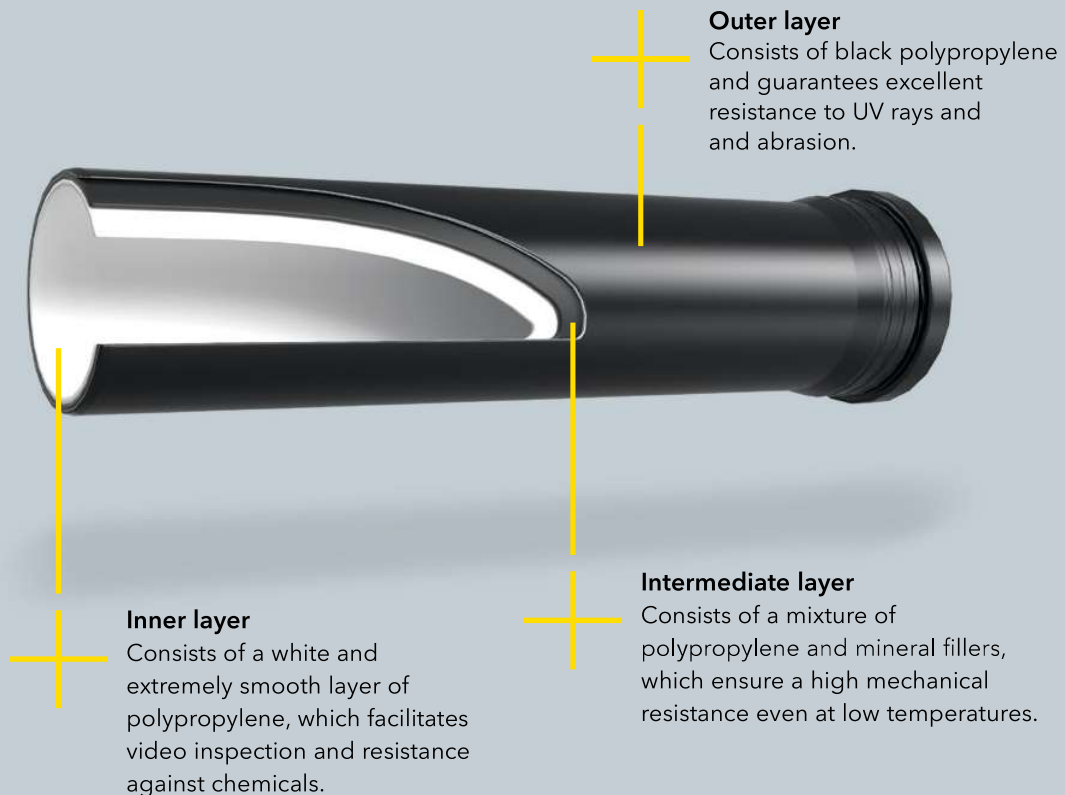
## Individual combinations.

Now it's easy to find the right downpipe for the free-flow gully. The expanded **SitaPipe PP** range saves a long search and brings system competence to the construction site in the shortest possible time. The individual system components are matched to each other and to the respective gravity gully with millimeter precision. They can be connected directly to the roof drain. A push-fit socket system ensures a solid hold and a pressure resistance of up to 1.5 bar provides reassuring security in the event that it is overloaded. In practice, this means: Problem-free installation up to a height of 15 meters.

P

	<b>CD</b>	<b>PD</b>	<b>ED</b>
	Gravity Drainage	Parapet Drainage	Emergency Drainage
<b>SitaPipe PP DN 70</b>	SitaStandard / SitaTrendy / SitaFireguard®	SitaEasy / SitaEasy Go / SitaRondo / Sitalndra / SitaAttika Lead-through	SitaRondo with Accumulation flange / SitaSpy / Sitalndra / Emergency Drainage Set / SitaEasy with accumulation element / SitaEasy Plus
<b>SitaPipe PP DN 100</b>	SitaStandard / SitaTrendy / SitaFireguard®	SitaEasy / SitaEasy Go / SitaRondo / SitaAttika Lead-through	SitaRondo with Accumulation flange / SitaSpy / SitaEasy with Accumulation Element / SitaEasy Plus
<b>SitaPipe PP DN 125</b>	SitaStandard / SitaTrendy / SitaFireguard®	SitaRondo	SitaRondo with Accumulation flange / SitaEasy Plus
<b>SitaPipe PP DN 150</b>	SitaStandard / SitaFireguard®	-	SitaEasy Plus

\*Additional Sita gullies can be used.



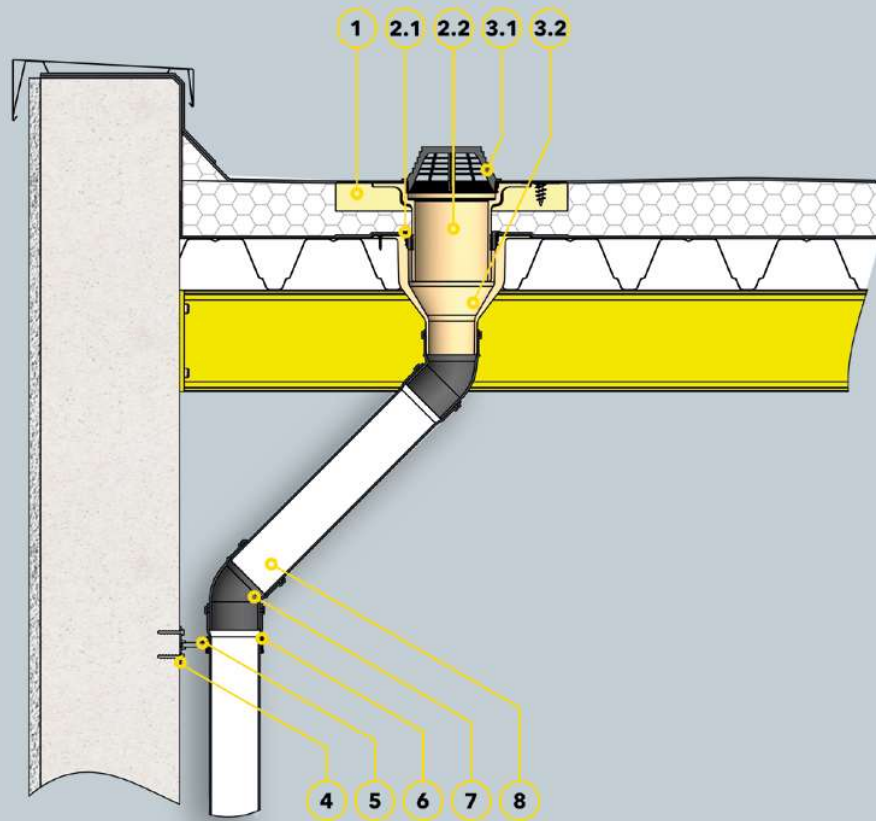
# + Good to know.

## Conventional HT pipe system

- ⊖ Layer system
- ⊖ Only suitable for indoor use
- ⊖ Watertight to a column of up to 0.5 bar. This corresponds to a height of 5 m.

## Sitapipe PP pipe system

- + 3 layer composite system for improved dimensional stability and higher impact strength
- + Suitable for indoor and outdoor use
- + Watertight to a column of 1.5 bar. This corresponds to height of 15 m.



## Components

- |  |  |
|--|--|
| <p><b>1</b> SitaStandard Insulating body extension element</p> <p><b>SitaStandard extension element consisting of:</b></p> <p><b>2.1</b> Sealing ring</p> <p><b>2.2</b> Main body</p> <p><b>SitaStandard vertical consisting of:</b></p> <p><b>3.1</b> Gravel trap</p> <p><b>3.2</b> Main body</p> | <p><b>4</b> SitaPipe PP Base plate</p> <p><b>5</b> SitaPipe PP Threaded Rod</p> <p><b>6</b> SitaPipe PP Pipe clamp</p> <p><b>7</b> SitaPipe PP bend 45°</p> <p><b>8</b> SitaPipe PP pipe</p> |
|--|--|

## Roof Construction

### Non ventilated roof structure according to the aaRdT with:

- + Waterproofing
- + Thermal insulation
- + Vapour barrier
- + Substructure