

# SitaMore PE-connection pipe

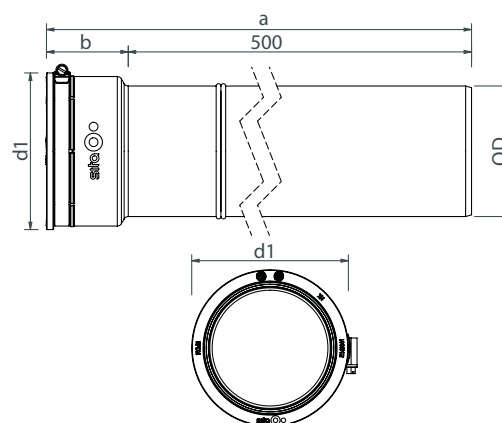
## PE socket pipe



### Text for invitation to tender

**SitaMore PE-connection pipe**, PE socket pipe with integrated multi-lip EPDM sealing and a hose clamp made of stainless steel, material number 1.4401, for a tight connection with rainwater roof drainage outlets in nominal diameters DN 70 or DN 100. Delivery and professional installation included.

### Technical drawing



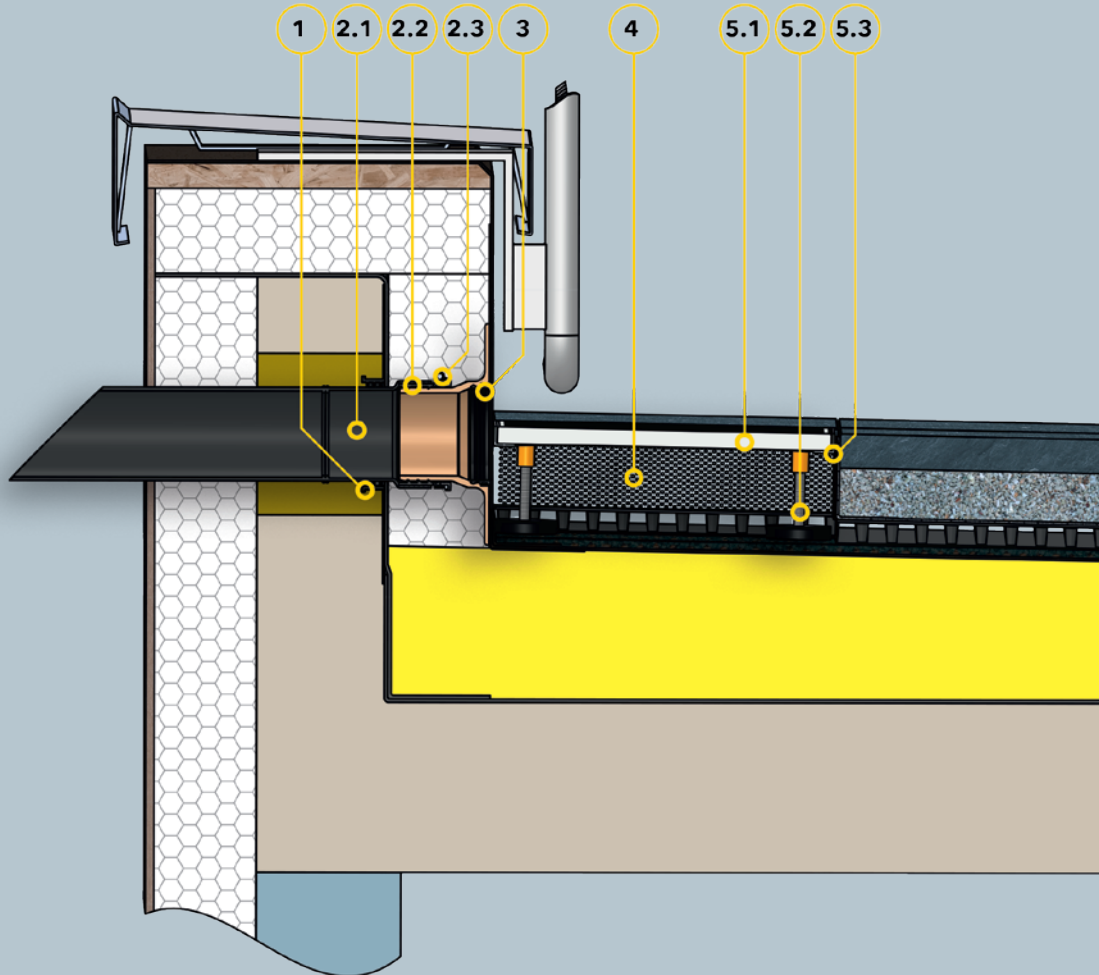
### Nominal diameters, measurements and article numbers

Nominal diameter DN	OD*	a (mm)	b (mm)	d1 (mm)	article number
70	75	572	72	97	185590
100	110	569	69	132	185591

\*OD = Outer diameter (mm)

# SitaMore PE-connection pipe

SitaEasy Plus with SitaMore PE-connection  
pipe in a non-vented roof structure



## Components

<p><b>1</b> SitaMore vapour barrier plate flex</p> <p><b>SitaMore PE-connection pipe consisting of:</b></p> <p><b>2.1</b> PE-connection socket with pipe</p> <p><b>2.2</b> Sealing</p> <p><b>2.3</b> Hose clamp</p> <p><b>3</b> SitaEasy Plus</p>	<p><b>4</b> SitaDrain gravel strip</p> <p><b>SitaDrain Terra consisting of:</b></p> <p><b>4.1</b> Mesh cover</p> <p><b>4.2</b> Rubber feet</p> <p><b>4.3</b> Frame</p>
---	--

## Roof structure

<p><b>Non-vented roof construction with slab flooring in a gravel setting acc. to BDAT with:</b></p> <p>+ Slab flooring</p> <p>+ Gravel setting</p> <p>+ Filter fleece</p> <p>+ Surface drainage</p> <p>+ Structure preservation mat</p>	<p>+ Sealing</p> <p>+ Thermal insulation</p> <p>+ Vapour barrier</p> <p>+ Sub structure</p> <p>+ Parapet recess with jointing band</p>
--	--