



BRASSWARE COLLECTION

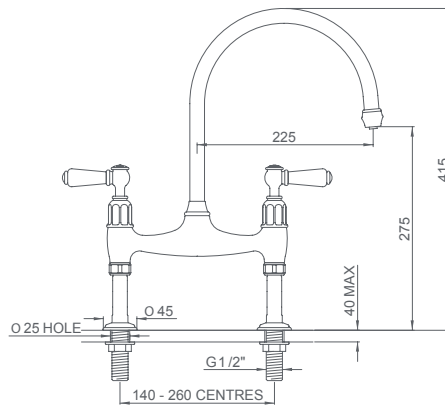
- PENDLETON -



FEATURES

Deck mounted bridge mixer with porcelain levers and Shaws ceramic hot and cold indices, ¼ turn ceramic valves and extended length flexible tail pipes for easy installation. Minimum 0.2 bar pressure required.
2 year working part and valve warranty.
12 month surface finish and O-ring warranty.

*Our Brassware comes in a choice of Chrome or Nickel.
(Gold also available on request).*



Product	Code	Type	Dimensions		
				H	Overhang
Pendleton Chrome	FTTP0004	Bridge Mixer	(mm)	415	225
			(in)	16½	9
Pendleton Nickel	FTTP0006	Bridge Mixer	(mm)	415	225
			(in)	16½	9

For expert advice or to purchase, please contact our Customer Service Team on +44 (0) 1254 775111.
Alternatively, we can be contacted via email at sales@shawsofdarwen.com or by fax on +44 (0) 1254 873462.