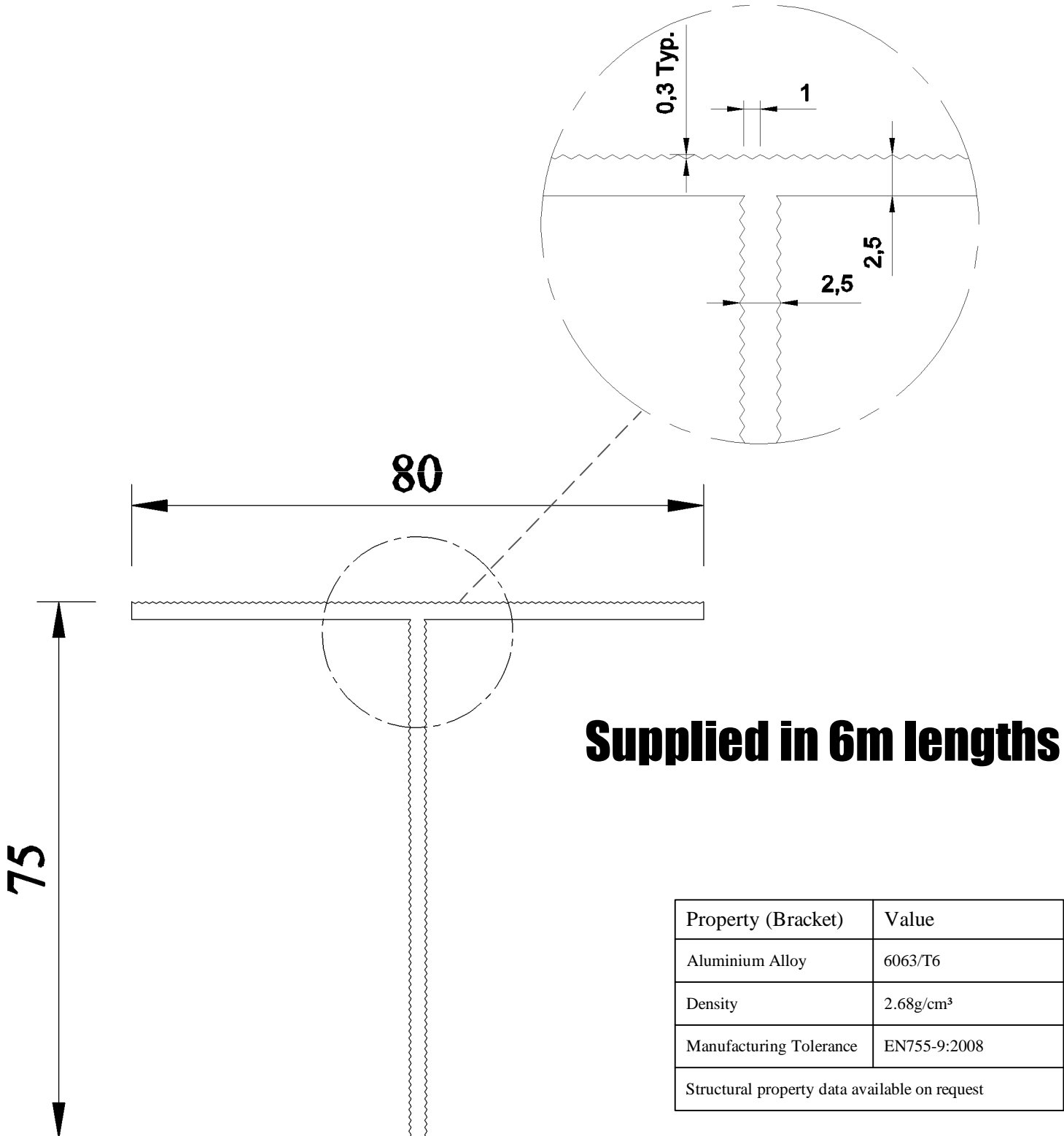


SHG Vertical Support Rail

RS-FL

Ver 1 - 24-09-2012

These details are for general detailing purposes only and are not to be relied upon for design and installation criteria. Please contact our technical support for more precise information.



Members of:

CENTRE FOR
**WINDOW AND
CLADDING**
TECHNOLOGY

Shackerley

Shackerley (Holdings) Group Ltd
139 Wigan Road
Euxton
Chorley
PR7 6JH
Tel: +44 (0)1257 273114
Fax: +44 (0)1257 262386
E-mail: info@shackerley.com

Any advice, opinion or information shown on this drawing is given in order to assist in the use of the company's products. The user must ensure suitability of all details for the application intended. In particular the company will not accept any liability for loss or damage which may arise from errors/omissions or the incorrect use of its products. The company operates a continuous research and development programme and reserves the right to update information at any time without notice. All dimensions and details must be checked on site by the user prior to fabrication, erection and installation.