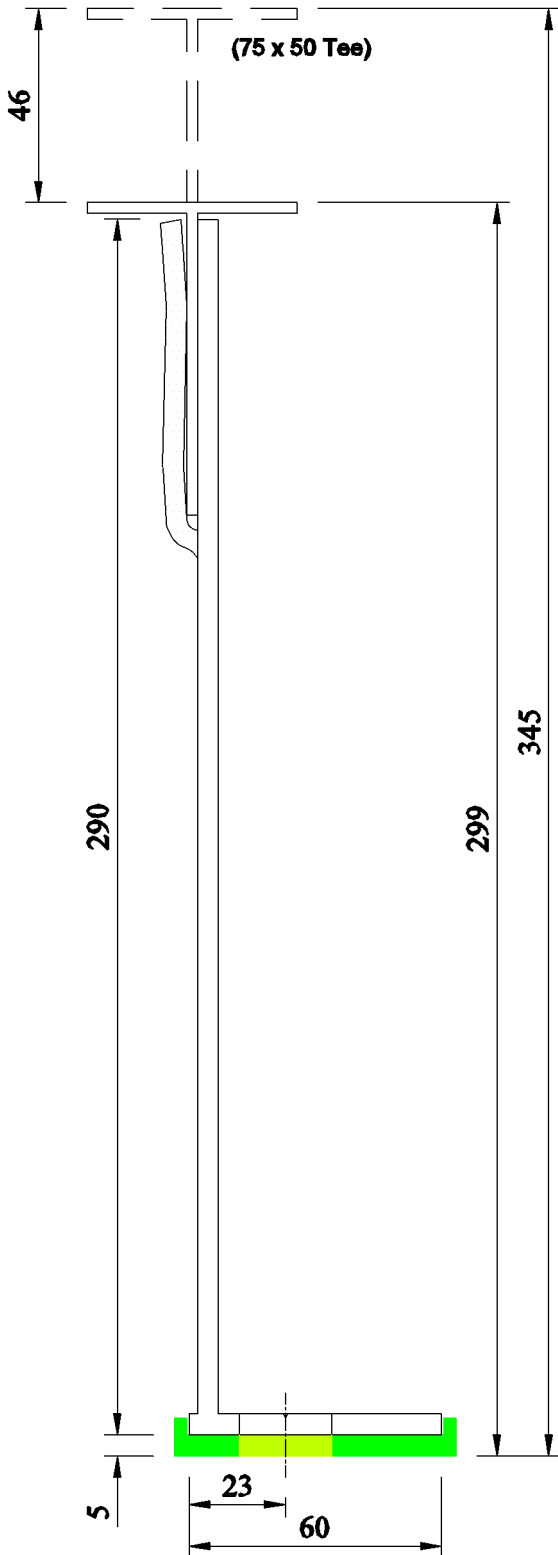


# SHG PRIMARY SUPPORT BRACKET WITH THERMAL ISOLATOR PAD

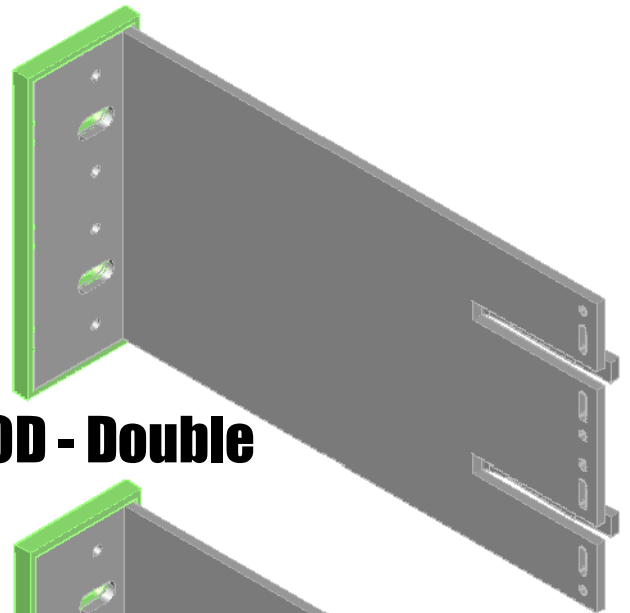
# N290

Ver 1 - 24-09-2012

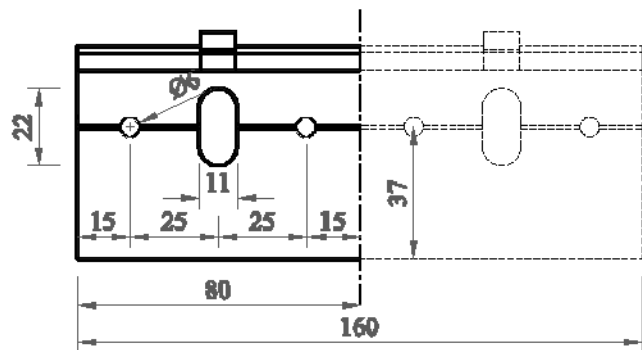
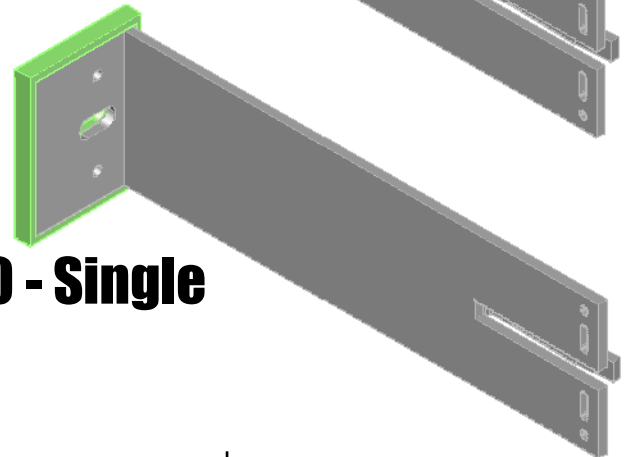
These details are for general detailing purposes only and are not to be relied upon for design and installation criteria. Please contact our technical support for more precise information.



**Type N290D - Double**



**Type N290 - Single**



Property (Bracket)	Value
Aluminium Alloy	6063/T6
Density	2.68g/cm <sup>3</sup>
Manufacturing Tolerance	EN755-9:2008
Structural property data available on request	

Members of:



Shackerley (Holdings) Group Ltd  
139 Wigan Road  
Euxton  
Chorley  
PR7 6JH  
Tel: +44 (0)1257 273114  
Fax: +44 (0)1257 262386  
E-mail: info@shackerley.com

Any advice, opinion or information shown on this drawing is given in order to assist in the use of the company's products. The user must ensure suitability of all details for the application intended. In particular the company will not accept any liability for loss or damage which may arise from errors/omissions or the incorrect use of its products. The company operates a continuous research and development programme and reserves the right to update information at any time without notice. All dimensions and details must be checked on site by the user prior to fabrication, erection and installation.