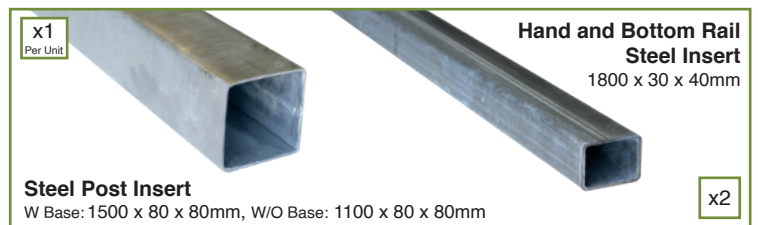
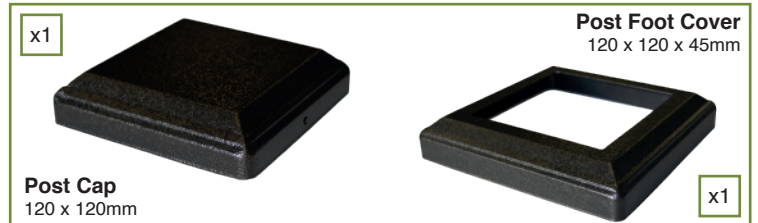
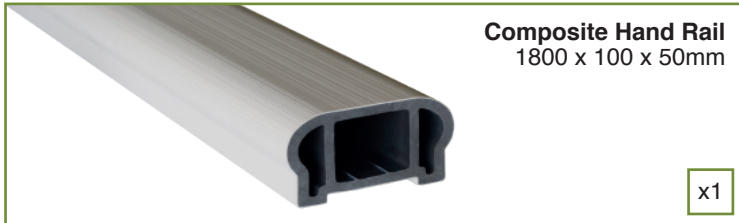


PLEASE READ PRIOR TO INSTALLATION

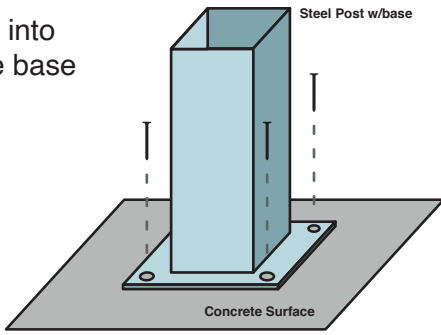
Remember to pre-drill any hole to 100% of the width required.



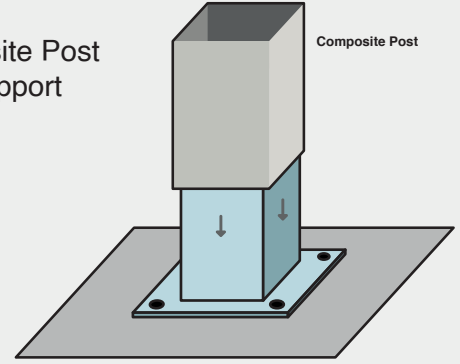
Option 1

Fixing to the ground using Steel Post with Base

1. Bolt the Steel Post into your solid/concrete base



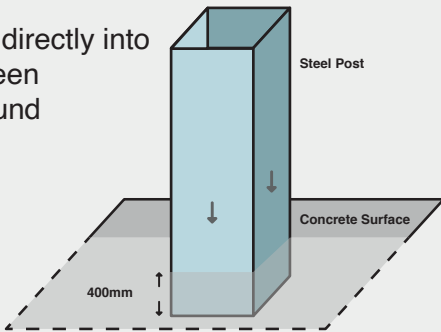
2. Slide the Composite Post over the Steel Support



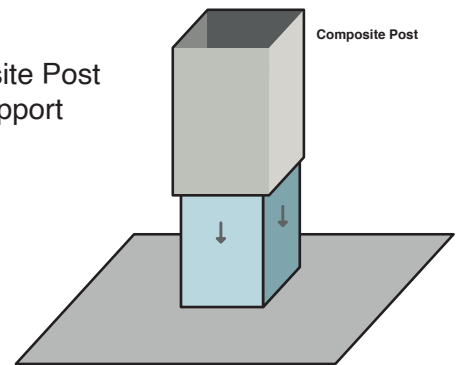
Option 2

Fixing to the ground into concrete surface

1. Set the Steel Post directly into the concrete between 400mm below ground



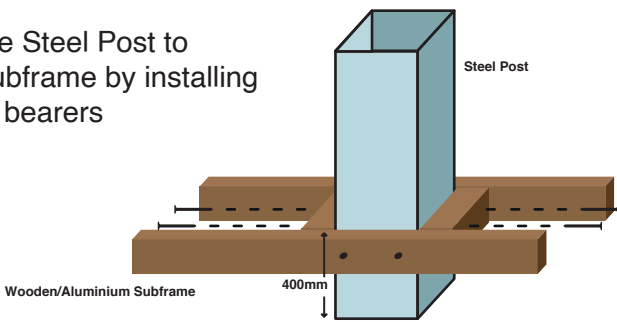
2. Slide the Composite Post over the Steel Support



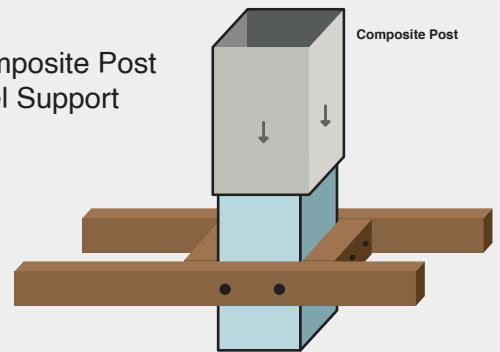
Option 3

Fixing directly to the subframe

1. Fix the Steel Post to the subframe by installing cross bearers

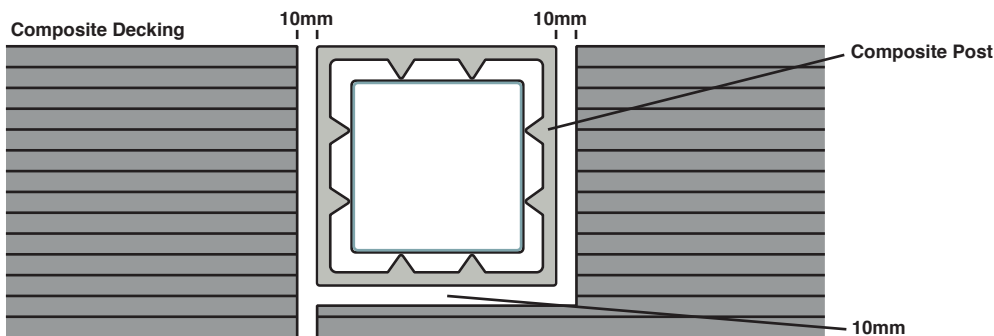


2. Slide the Composite Post over the Steel Support

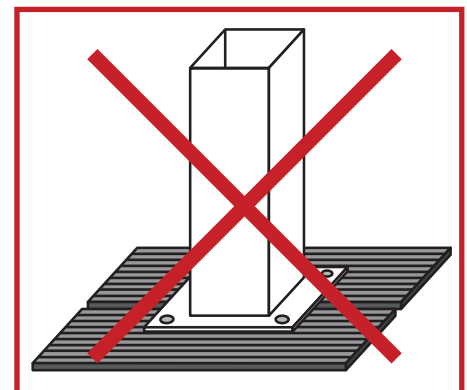


Installing with Composite Decking

IMPORTANT: Never install directly onto composite decking surface

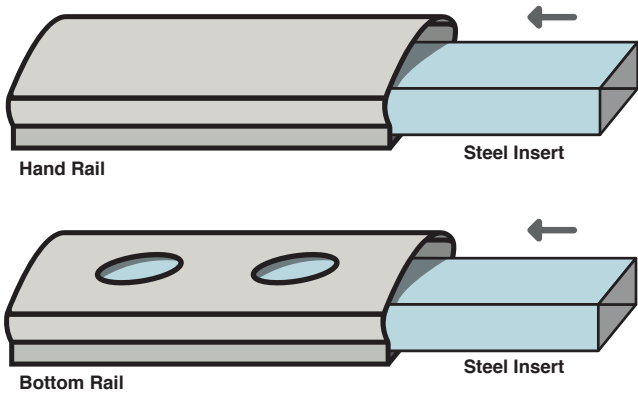


Leave 10mm gaps around Composite Posts to allow for expansion. The gap will be covered by the Post Foot Cover.



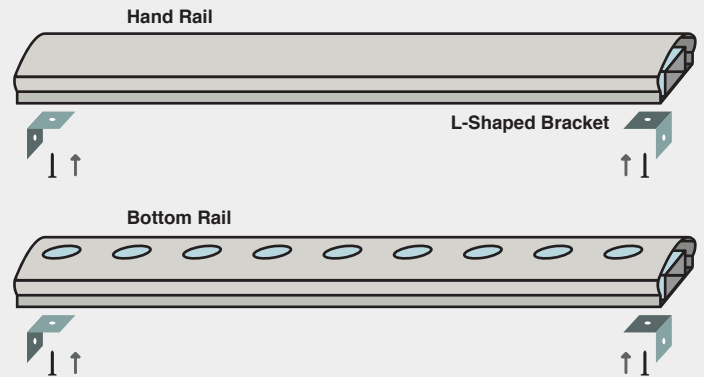
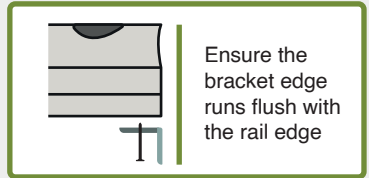
1

Slide the Steel Inserts in to both the Hand and Bottom Rails



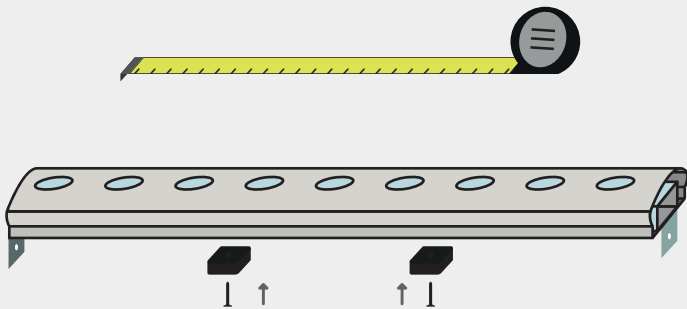
2

Screw the L-Shaped Brackets on to the Top and Bottom Rails



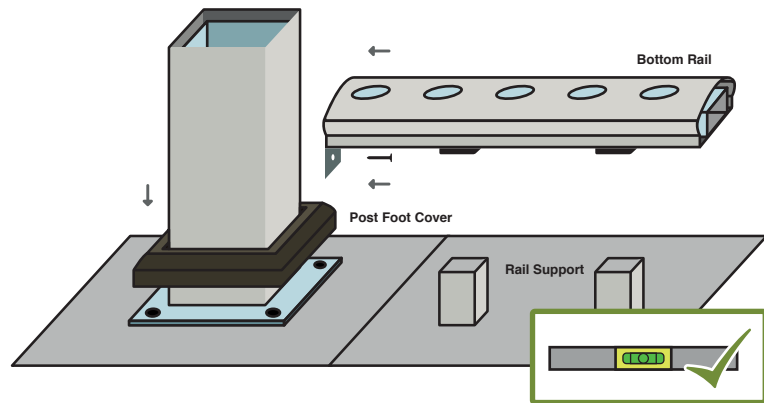
3

Screw the Rubber Support Clips to the Bottom Rail



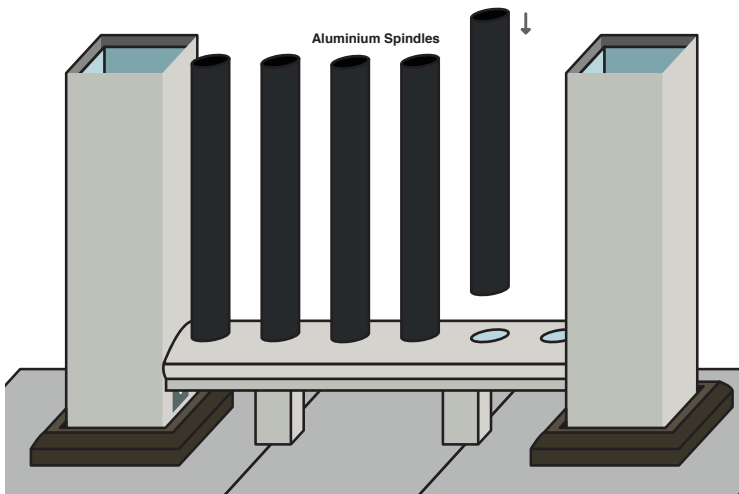
4

Slide the Post Foot Cover down the Post before installing the Bottom Rail



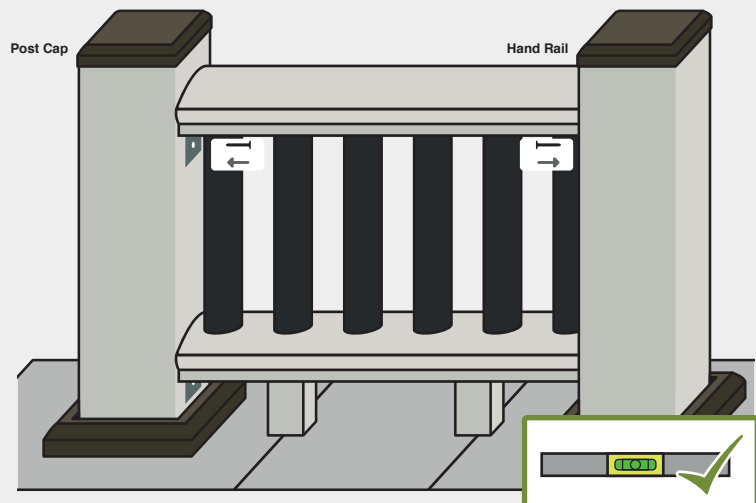
5

Slot the Aluminium Spindles into place



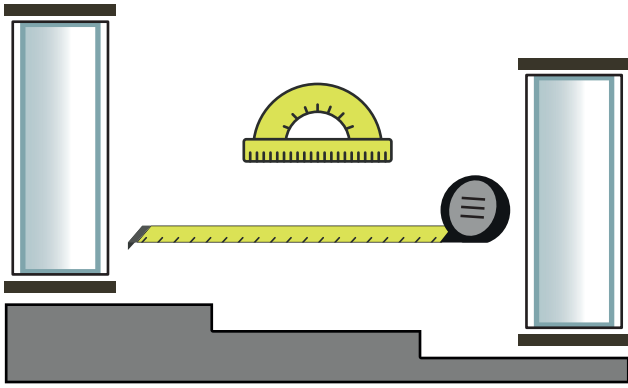
6

Install the Hand Rail and place the Post Caps



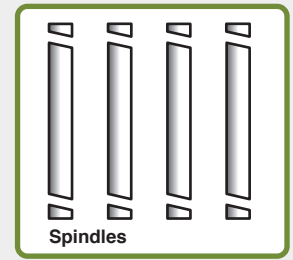
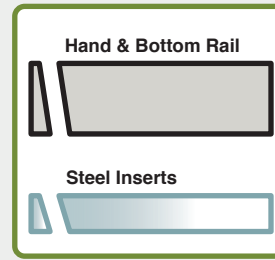
Illustrations are enlarged for instructional purposes and may not reflect exact dimensions

1 Using an Angle Protractor, measure the required angles

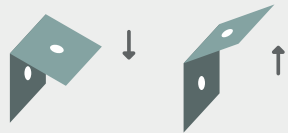
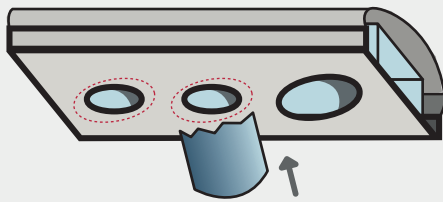


2 Installing on a slope or steps

Cut the Rails, Steel Inserts and Spindles to the required angles

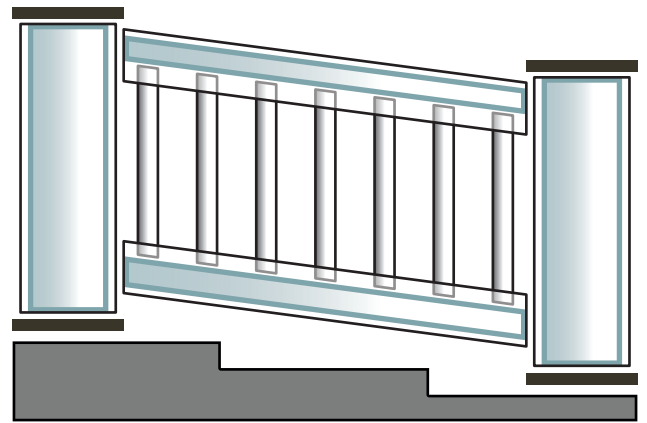


3 Use a router drill bit to reshape the Spindle holes to the required angle



The L-Shaped Brackets can be eased to the required angle by applying pressure

3 Complete as per instructions on page 3



Builddeck installation manuals are designed as a quick and simple manual. They may not cover every installation and design scenario envisaged. Since each installation is unique, the chosen installation method and the actual installation and its performance are the sole responsibility of the installer. Builddeck recommends that all designs be reviewed by a licensed architect or engineer before commencing the installation. Please ensure your plan and design meets your local authority building control regulations and permission before you begin installation. If you are unsure of the best practices, please use suitably qualified personnel to prevent injuries or accidents.

SAFETY INSTRUCTIONS

When handling and processing Builddeck products always wear gloves, eye protection and work in a well ventilated area. Always wash your hands after handling Builddeck products, especially before eating or drinking. Wear eye protection when pressure washing or scrubbing the decking. Keep children and animals away from the work area until the job has been completed and the tools have been stored in a safe place. When cutting, planing or sanding our products, be aware that the creation of dust and noise will occur. We recommend that all operatives carrying out these tasks wear suitable P.P.E including gloves, eye protection, dust masks and ear defenders.

WEATHERING & STORAGE

Builddeck composite products are made from 60% natural material and is designed to imitate traditional timber often with naturally occurring variations in colour, texture and grain pattern. For this reason, slight colour variations may occur (more noticeable when purchasing different products). We will always endeavour to pick all products from the same batch, however when orders are added or amended at a later date the boards will likely be from a different batch therefore colour variation is likely. Please ensure you order the correct amount on the initial order. A member of our team will be able to assist you to advise the best amount of materials required based on measurements provided by you, and Builddeck does not take any responsibility for material calculations on site. Where possible, Builddeck composite should be stored indoors and away from any direct sunlight to avoid any natural colour weathering prior to installation. Should indoor storage not be possible, the boards should be kept covered in a shaded, free draining area and supported off the ground by level bearers set at 400mm (300mm if handling Builddeck Victoria boards) apart, centre to centre. It is very normal for composite boards to fade due to weather and sun exposure. They are designed this way so that the board colour eventually settles as evenly as possible over time. Of course, as with any outdoor products, those in the shade will fade significantly slower than those exposed to direct sunlight.

MAINTENANCE

Regularly use a brush and hot soapy water to wash composite products. For water stains or any marks caused by birds, berries, leaves or moss use a soft cleaning detergent to wash off. For harder stains such as marks containing dyes that leave permanent stains, you can gently and carefully scrub the surface using wire wool or sandpaper to help remove. If using a power washer to clean your product, keep a distance of at least 30cm from the boards. Do not use solvent based materials and do not stain, oil or paint any Builddeck composite products without seeking prior guidance.

COLOUR EXPECTANCY

Builddeck's composite products will fade due to sun bleaching over time. As our composite wood is a man made, partially recycled product, colour variations are to be expected. Our warranty does not cover colour fade, discolouration tolerance or water marks and stains on our products. Colour variations are a common occurrence when ordering in different batches.

DISCLAIMER

The information given in this guide is based on installation for domestic properties. Commercial projects require more a robust design and construction to deal with the additional loads placed on them and are not covered by the guidance in this manual. Builddeck installation manuals are designed as a general guide, and may not cover every installation scenario envisaged. Since each installation is unique, the installation method used and actual installation and its performance are the sole responsibility of the installer. Builddeck recommends that all designs be reviewed by a licensed architect or engineer before installation. Please ensure your plans and designs meet building regulations and local authority permission before you begin installation. If you are unsure of the best practices, please use suitably qualified personnel to prevent injuries or accidents and get the best performance from Builddeck products.

If you require any help or assistance during the installation process, Please contact a member of our team:

Phone: 01438 362 547

Email: info@builddeck.co.uk