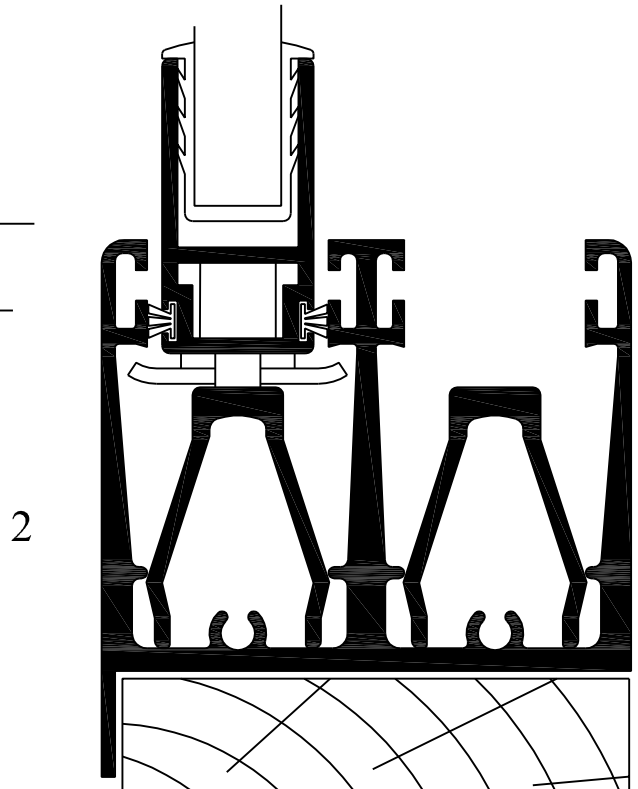
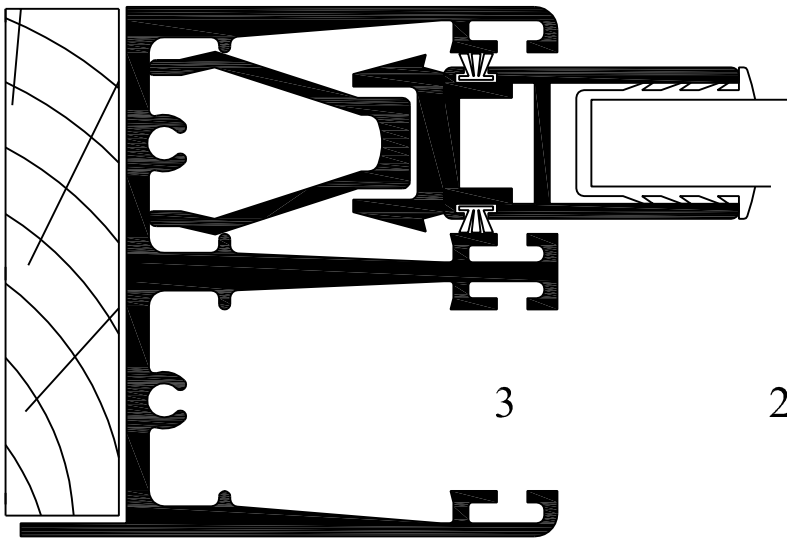
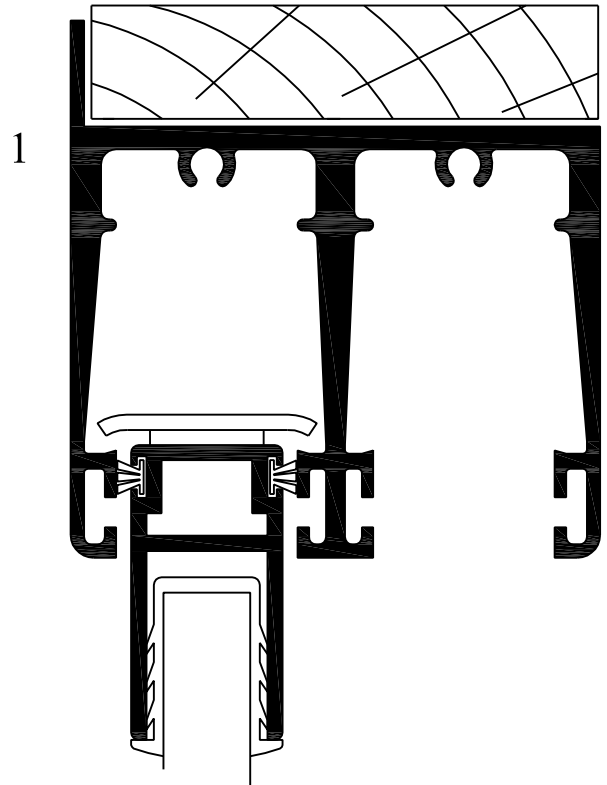
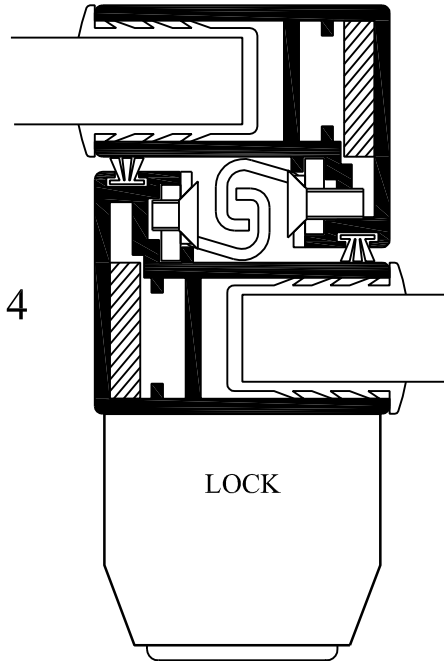


STYLE 2HS



Drawings show standard 68 x 15mm softwood grounds without packing tolerance.  
Selectaglaze Ltd. reserves the right to alter any of the sections without prior notice.

SCALE 1:1  
(print without scaling)

DRAWN	DATE	ISSUE	AA	BA				
S. THOMPSON	06-10-06	C.N.	06/035	11/008				
<b>DESCRIPTION SERIES 85 SECURITY HORIZONTAL SLIDING UNIT</b>								
This document is the property of Selectaglaze Ltd and full copyright is reserved			SHEET 1 OF 1 SHEETS		CAD FILE NAME		DS-285-BA.dwg	
			DATA SHEET NUMBER		DS-285			ISSUE BA