



DEFENDER EGRESS

TYPE

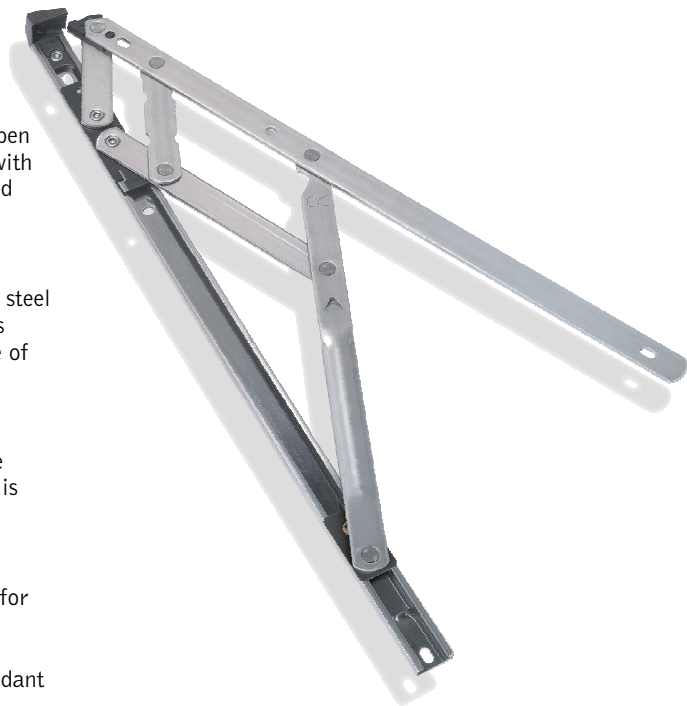
STANDARD DUTY FRICTION HINGE

BENEFIT

Friction hinge for emergency exit with easy cleaning facility

10
YEAR GUARANTEE
12

- Self lubricating PTFE based coating on end cap provides smooth closing
- Allows casement windows to open for emergency exit to comply with Buildings Regulations Approved Document B for fire escape windows♦
- Composite slider with stainless steel release lever mechanism allows cleaning access from the inside of the building to comply with BS8213-1
- Automatically resets to the fire escape mode when the window is closed
- Available in ferritic 430* and austenitic 304* stainless steel for enhanced corrosion resistance
- 10 or 12 year guarantee dependant on material selection (details available upon request)



austenitic
304
430
ferritic

♦ Compliant with FENSA requirements.

* Standard ferritic (was 430) to BS EN 10088-2 Grade 1.4016 or austenitic (was 304) stainless steel to BS EN 10088-2 Grade 1.4301 for enhanced corrosion resistance.



▼ **FULLY OPEN**
Maximum 90° opening angle

▲ **RELEASE MECHANISM**
Resets to egress mode after cleaning



DEFENDER HINGE

SD STD DUTY



Manufactured in the UK

Securistyle

Kingsmead Industrial Estate, Princess Elizabeth Way
Cheltenham, Gloucestershire GL51 7RE, UK

Rev 4 – Feb 2014 - ©

Tel: +44 (0) 1242 221200

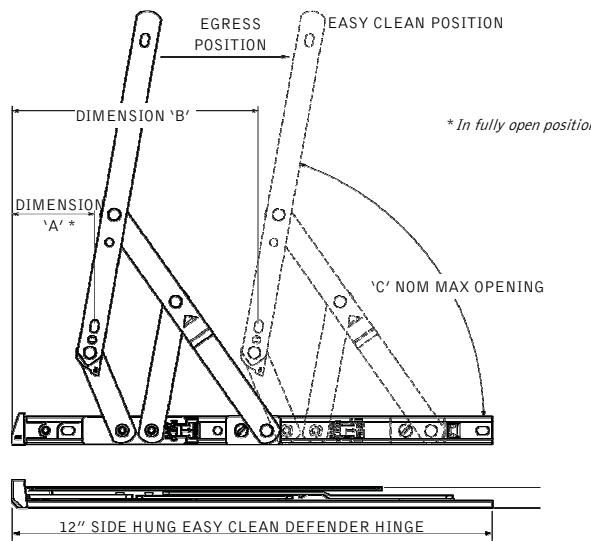
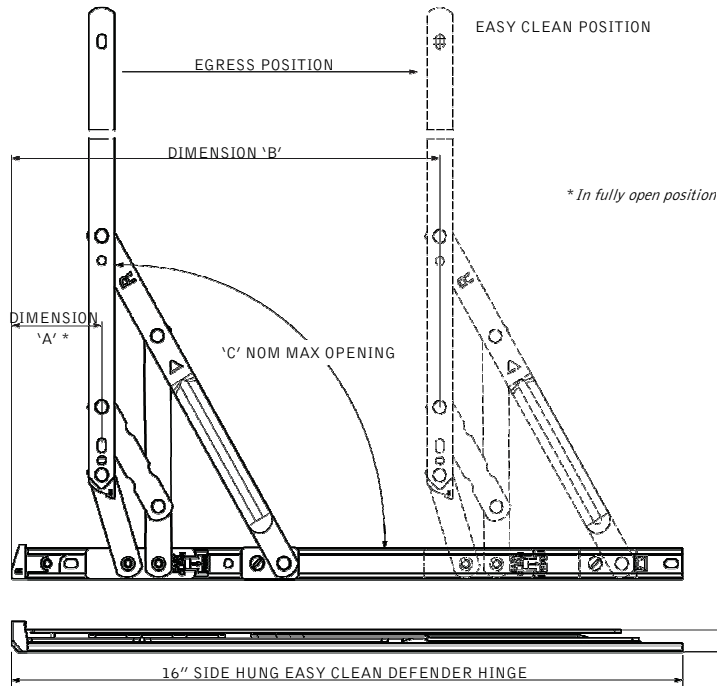
Fax: +44 (0) 1242 228194/520828

E-mail: info@securistyle.co.uk
Website: www.securistyle.co.uk



PRODUCT SPECIFICATION

10
YEAR GUARANTEE
12



austenitic
304
430
ferritic

| Hinge Size (Side Hung) (in/mm) | Max Vent Weight (kg) | Min Vent Width (mm) | Max Vent Width (mm) | Hinge Dimension 'A' (mm) | Hinge Dimension 'B' (mm) | Dimension 'C' Opening Angle (+/- 2.5°) |
|--------------------------------|----------------------|---------------------|---------------------|--------------------------|--------------------------|--|
| 12/310 | 22 | 300 | 600 | 54 | 163 | 80° |
| 16/413 | 24 | 400 | 700 | 57 | 268 | 90° |

- Slot hole slot format will provide the ability to adjust the vent more easily
- Die cast support plate in bottom slider ensures consistent performance
- Screw fixing in the centre of the track, thus reducing vent drop
- Drilling jigs for all sizes are available to order

Note: Specific Egress pull-in wedges should be used with this hinge

DEFENDER HINGE



Due to our policy of continual improvement we reserve the right to alter specifications without notice. It is the responsibility of the window manufacturer to ensure that the finished window meets the required performance and safety specification.

All transactions are subject to our standard conditions of supply, which are available on request

Ref: DESD

Securistyle

Kingsmead Industrial Estate, Princess Elizabeth Way
Cheltenham, Gloucestershire GL51 7RE, UK

Rev 4 – Feb 2014 - ©

Tel: +44 (0) 1242 221200

Fax: +44 (0) 1242 228194/520828

E-mail: info@securistyle.co.uk
Website: www.securistyle.co.uk