

# SELA U 65

Linear Actuator

Technical information and operating instructions



## Linear Drive Actuator / 230 V ac / 650 N

Cost effective and strong rack and motor drive mainly used for sloping smoke vent and rooflight applications.

Two push points from a single motor can be provided via a connecting rod and secondary rack.

## Contents

### 1.0 General Information

1.1	General Safety Information	3
1.2	Health and Safety	3
1.2	Environmental	3
1.4	Application and Use	4
1.5	Installation	4
1.6	Maintenance	5

<b>2.0</b>	<b>Specification</b>	6
------------	----------------------	---

<b>3.0</b>	<b>Installation Guide</b>	7
------------	---------------------------	---

<b>4.0</b>	<b>Technical Drawing</b>	8
------------	--------------------------	---

### 5.0 Connectivity and Wiring

5.1	SELA U 65 to Keyswitch	8
-----	------------------------	---

## 1.0 General Information

### 1.1 General Safety Information

SE Controls reserves the right to introduce any modifications and improvements to the contents of this publication without the obligation of giving prior notice.

Read and observe the information contained in these safety instructions and respect the order of procedure stated therein.

Product reliability and risk prevention can only be achieved through careful assembly and proper settings following the operating instructions of this actuator..

Please observe the exact terminal assignment, the minimum and maximum power ratings (see technical data) and the installation instructions.

Please observe the exact terminal assignment, the



**Danger!**  
**General danger or precautionary warning with numerous implications.**



**Danger!**  
**Danger that could cause personal injury. Danger of hands been crushed!**



**Warning!**  
**Carefully read these warnings**



**Warning!**  
**Draws attention to instructions that must be followed in order to prevent damage to the actuator.**



**Warning!**  
**Danger of electric shock.**



**Notice**  
**Indicates important notices to which attention must be paid.**

### 1.2 Health and Safety



Electrical Safety; warning 230 V ac Dangerous voltage. Can cause death, serious injury or considerable material damage. Disconnect the equipment from the power supply at all poles before opening, assembling or carrying out any structural alterations.

Warning! Never connect the drives to 230 V! They are built for 24 V! Risk of death!



Personal Protective Equipment; It is recommended that suitable PPE is worn at all times during the installation and connection of actuator products in accordance with a recommended safe system of work.

Handling and storage; care must be taken in transportation to the installation location and during fitting. Actuator products must not be dropped, impacted, allowed to get wet or abused in any other way. Mishandling can result in serious damage.

Competence; installation and connection must only be carried out by authorised, competent and safety conscious persons.

### 1.3 Environmental



All actuator products contain metallic, plastic and electronic parts. Redundant electronic products are classified as hazardous waste under the WEEE regulations (Waste Electrical and Electronic Equipment). Electronic parts must be disposed of by an authorised and licensed recycler.

They must not be disposed of in 'general waste' skips.

Consult SE Controls for assistance.

## 1.4 Application and Use



When using the actuator, follow these safety instructions described herein. This equipment is designed for the automatic opening and closing of the stated types of windows.

For further applications, please contact SE Controls.

The actuator complies with current safety directives.

Operating safety can be guaranteed only if installers comply with the safety regulations in force in the country where the actuator is used.



Do not install two or more actuators on the same window without using a synchronisation accessory.



Any other application of the actuator must be approved after technical testing of the application. Use only original accessories or accessories approved by SE Controls to install the actuator.

The actuator is not a structural member of the window. Always mount the safety arms in bottom-hung applications. The position of the three-way switch button must be outside the field of action of the moving part of the window.

Do not allow children to play with the fixed or remote controls.



When opening or closing the window, make sure other people are far away from the moving part, even when a fire detection system is closing an open window.

It would be beyond the scope of these safety instructions to list all the valid regulations and guidelines.



Always make sure that your system corresponds to the valid regulations. Pay particular attention to: the aperture cross-section of the window, the opening time and opening speed, the temperature resistance of the cables and equipment, cross-sections of the cables in relation to the cable lengths and power consumption.



Care must be taken to ensure that actuator products are controlled with compatible products; refer to SE Controls. No liability will be accepted and no guarantee nor service is granted if actuator controls are used without such compatibility being confirmed.

## 1.5 Installation



Warning! Incorrect installation may render the actuator dangerous! Follow all the instructions set out below and all technical advice supplied by SE Controls.

Installation of this equipment must only be carried out by authorised, competent and safety conscious persons.



The actuator must be assembled and connected only by specialised staff who have been properly trained and who are familiar with the problems associated with automatic window opening and closing systems, technical reference standards and safety standards.



The window closes automatically. When opening and closing, the actuator is operated via a control system.



Take care - the open/close force is high enough to cause injury!



During assembly and operation do not obstruct the window opening!  
Danger of crushing/trapping!

Routing of cables and electrical connections only to be done by a qualified electrician.



Power supply leads 230 V ac to be fused separately by the customer. Keep power supply leads sheathed until the mains terminal.



All low voltage cables (24 V dc) to be installed separately from high voltage cables. Flexible cables should not be plastered in. Provide strain relief for freely suspended cables.

The cables must be installed in such a way that they cannot be damaged.

Junction boxes must be accessible for maintenance work.



Adhere to the type of cables, cable lengths and cross-sections as stated in the technical information.

After installation and any changes to the system check all functions by a trial run.

## 1.6 Maintenance

Always disconnect the actuators supply voltage and batteries (if applicable) during cleaning or maintenance operations, especially if the actuator is equipped with an



The system must be protected against unintentional re-starting.

All smoke ventilation systems must be periodically (annually) checked, serviced, maintained and, if necessary, repaired and re-tested by a authorised, trained and competent, safety conscious person.

Maintenance shall be carried out in accordance with the requirements of;



- Health and Safety at Work Act 1974
- I.E.E Regulations
- Regulatory Reform (Fire Safety) Order 2005
- Building Safety Act 2022
- Building Regulations etc. (Amendment) (England) Regulations 2023

In order to keep the equipment in optimum operating condition it is recommended that ventilation systems are similarly maintained.

There are no user repairable parts in this equipment.

Basic checks that can be carried out include;



- At least once a year, check that the power cable and connection has not been damaged and that it shows no sign of wear
- Check that no object obstructs the window movement.
- If faults arise, never work on the actuator and never attempt to disassemble it.
- If the actuator fails to function or is damaged, contact SE Controls.
- Do not use the actuator until it has been repaired or replaced.

A suitable service contract with SE Controls is recommended for this purpose.

The gear system is greased for life and is maintenance free.



Defective equipment must only be repaired by SE Controls. Only original spare parts are to be used.

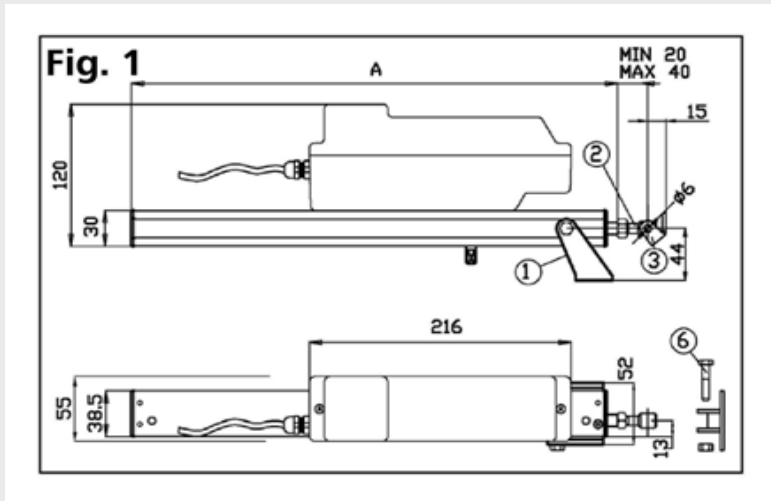
After maintenance, repair or any changes to the system check all functions by a trial run.

## 2.0 Specification

<b>Actuator</b>	SECO U 65
<b>Actuator Type</b>	Linear Actuator
<b>Voltage (all ± 5%)</b>	230 V dc
<b>Amp Draw Current</b>	0.1 A
<b>Stroke</b>	180/350/550/750/1000 mm
<b>Operating Speed</b>	8 mm/sec
<b>Ambient Operating Temp</b>	-10°C to +40°C
<b>IP Rating</b>	IP55
<b>Thrust Force</b>	650 N
<b>Close Force</b>	350 N
<b>Switching</b>	Electronic Limit
<b>Synchronisation</b>	Optional
<b>Standard Finish Powder Coated</b>	Rack - Silver Anodised Motor - RAL9010 (White)
<b>Flex Length</b>	1.5 m
<b>Flex Type</b>	4 core PVC
<b>Flex Colour</b>	White
<b>Duty Cycle</b>	50%
<b>Product Warranty</b>	12 months from date of invoice <sup>1</sup>
<b>Bracket</b>	End Bracket / Sliding Bracket
<b>Application</b>	Environmental Ventilation

<sup>1</sup> Commercial terms for each project will supersede this warranty information.

### 3.0 Installation Guide

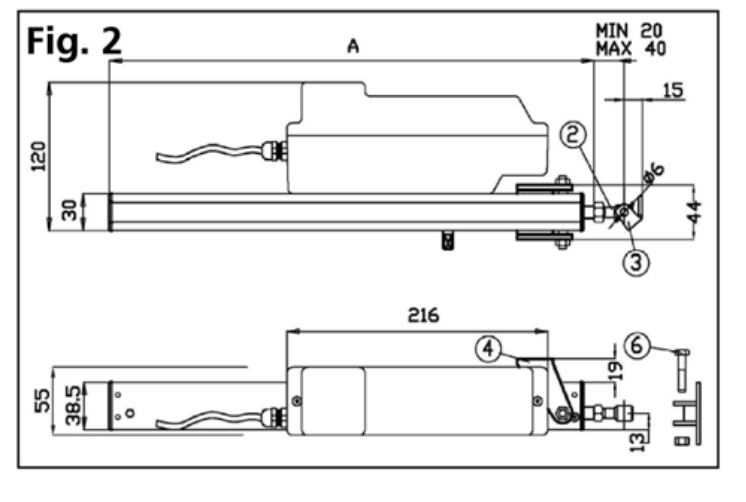


- 1. Sliding Bracket
- 2. Adjustable Eyebolt
- 3. Trunnion Bracket
- 6. Trunnion Bracket



Sliding Bracket - ABU0040235F

Dovetail sliding bracket kit allows bracket '1' to be secured to the actuator anywhere along the length of the rack. Check straight alignment between sliding bracket and eyebolt to ensure correct operation. Close stroke position is adjusted by use of the threaded 6mm eyebolt if required.



- 4. Front/Rear Pivot Bracket
- 2. Adjustable Eyebolt
- 3. Trunnion Bracket
- 6. Trunnion Bracket



Pivot Bracket - ABU0040235F

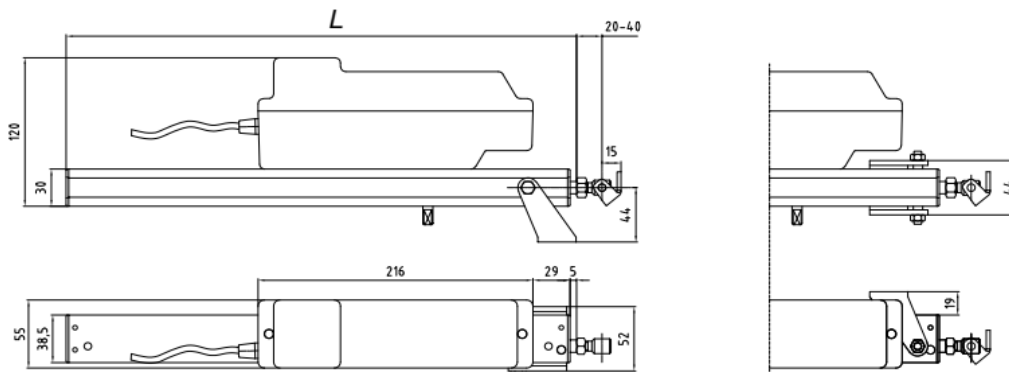
Front or rear pivot bracket kit allows bracket '4' to be secured to the actuator through the holes located either side of the rack.

Check straight alignment between pivot bracket and eyebolt to ensure correct operation.

Close stroke position is adjusted by use of the threaded 6mm eyebolt if required.

\*For master and slave setup please contact SE Controls for guidance

## 4.0 Technical Drawing



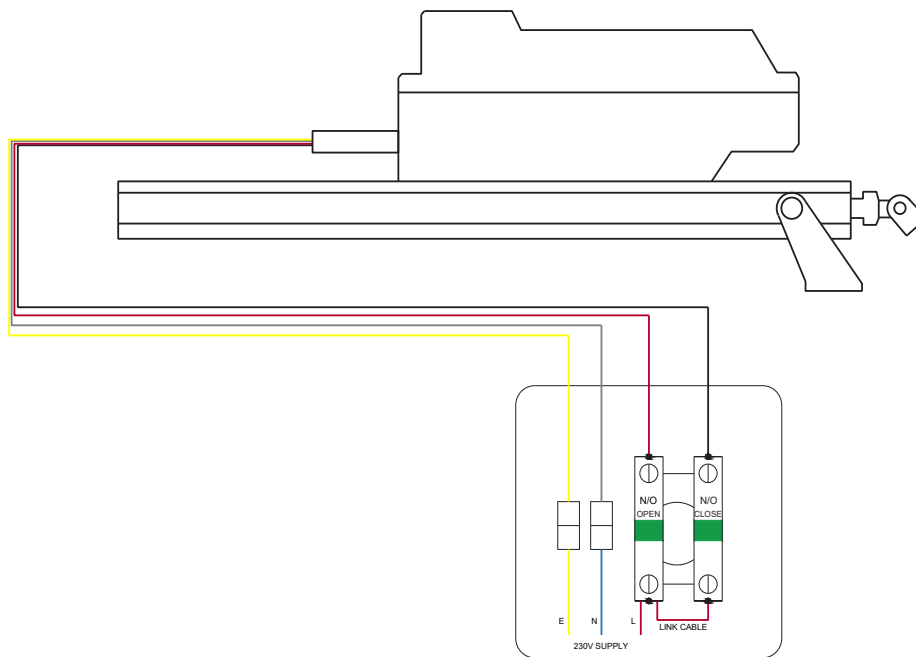
All dimensions in millimetres  
The AutoCAD drawing for this product can be found at [www.secontrols.com](http://www.secontrols.com)

### Dimensions

Stroke	L
180 mm	400 mm
350 mm	570 mm
550 mm	770 mm
750 mm	970 mm
1000 mm	1220 mm

## 5.0 Connectivity and Wiring

### 5.1 SELA U 65 to Keyswitch



Please keep these operating instructions for future reference and maintenance. Subject to technical modifications. Diagram is not binding.



Creating a healthier & safer environment

Lancaster House  
Wellington Crescent  
Fradley Park, Lichfield  
Staffordshire WS13 8RZ

**+44 (0)1543 443060**  
**sales@secontrols.com**  
**www.secontrols.com**

