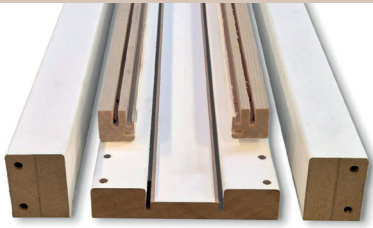


### WHITE COLOUR JAMB KIT



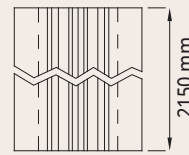
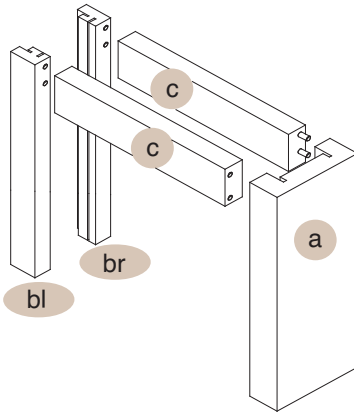
### WOODEN COLOUR JAMB KIT



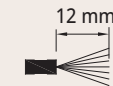
#### SINGLE KIT

##### Component list

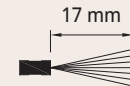
- a** Stop jamb
- br** Right jamb
- bl** Left jamb
- c** Headers x2



white seal couple pc.1  
(for white colour jambs)  
brown seal couple pc.1  
(for wooden colour jambs)



black dustbrushes  
h12x2150 pcs.2  
(for 44 mm panel)



black dustbrushes  
h17x2150 pcs.2  
(for 35 mm panel)

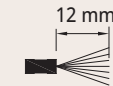
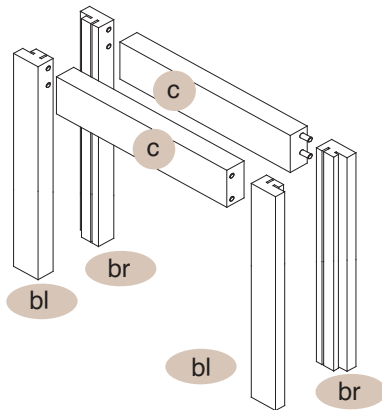


wooden dowels  
30 mm pcs.8

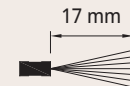
#### DOUBLE KIT

##### Component list

- br** Right jambs x2
- bl** Left jambs x2
- c** Headers x2



black dustbrushes  
h12x2150 pcs.4  
(for 44 mm panel)



black dustbrushes  
h17x2150 pcs.4  
(for 35 mm panel)



wooden dowels  
30 mm pcs.8

#### AVAILABLE JAMB KITS for OPEN BOX POCKET DOOR SYSTEM

SKU	Finish	Single/double kit	Dimensions (mm)	Wall thickness (mm)	Panel thickness (mm)
61372	White	Single	1000 x 2100	100	35 - 44
61373	White	Double	2000 x 2100	100	35 - 44
36536	White	Single	1200 x 2100	125	44
36844	Wooden	Single	1200 x 2100	125	44
36845	Wooden	Double	2400 x 2100	125	44
36537	White	Double	2400 x 2100	125	44
50705	Wooden	Single	1100 x 2100	125	35
50715	Wooden	Double	2200 x 2100	125	35

#### ACCESSORIES & PARTS

SKU	Description
31409	15 mm black brush pcs 2 H 2150 mm for 35 mm panel
5172	12 mm black brush pcs 2 H 2150 mm for 44 mm panel
19957N	Grey seal pcs 2 H 2160 mm
5184N	Brown seal pcs 2 H 2160 mm

The selection of the jambs is determined by the wall thickness and type of pocket door, whether single or double.

