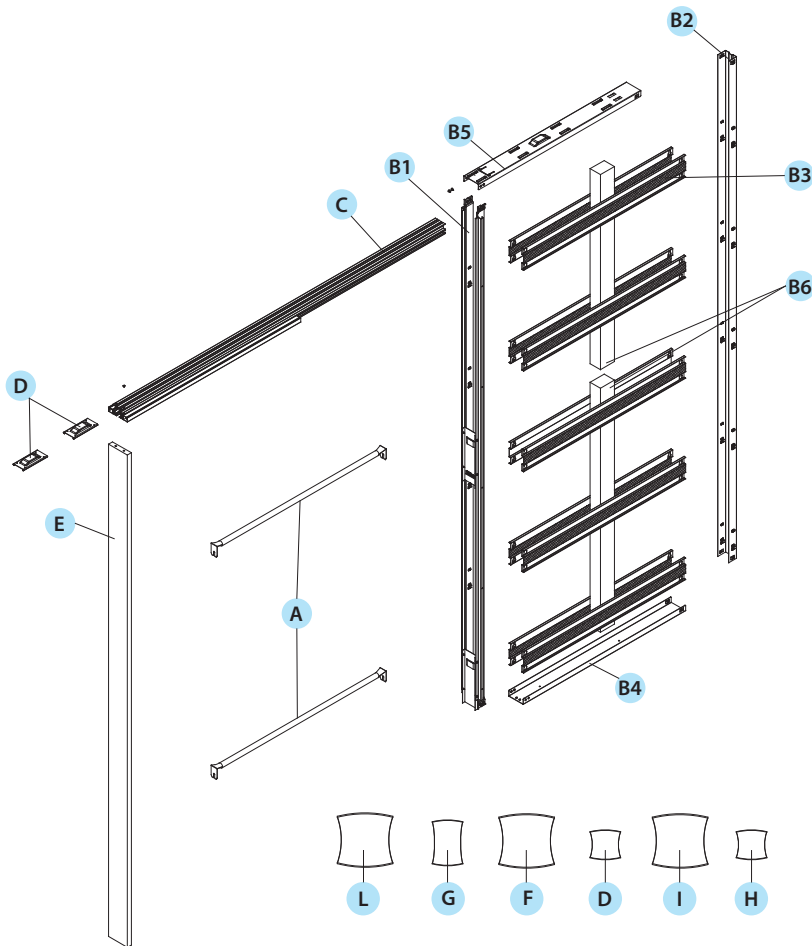
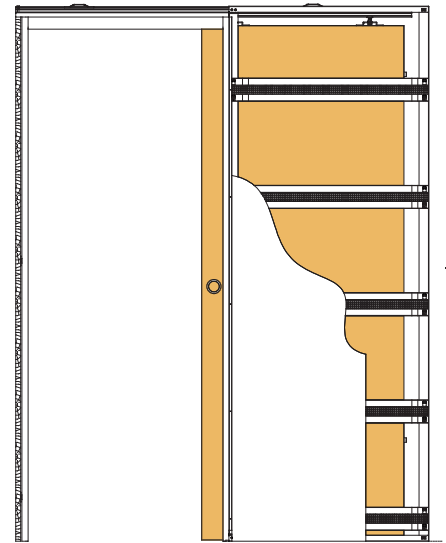


SCRIGNO OPENBOX POCKET DOOR KIT component list



Single Door



Single kit component list

A 2 x		D 2/3 x	
B1 1 x		x 2 for single	
B2 1 x		L < 800 mm	
B3 10 x		x 3 for single	
B4 1 x		L > 800 mm	
B5 1 x		E 1 x	
B6 2 x		F 1 x	
C 1 x		G 1 x	
		H 1 x	
		L 1 x	
		I 1 x	

■ Please note: Jamb kit available in a separate box.

Descriptions

A. Horizontal temporary spacing bars	B6. Polystyrene spacers
B1. Central vertical	C. Aluminium track
B2. Rear vertical	D. Track brackets
B3. Pocket horizontals	E. Wooden jamb
B4. Pocket base	F / G / H / L. Fixing screw packs
B5. Pocket header	I. Accessories for door installation



■ For a double pocket door, two single kits are joined using a special junction bracket and temporary spacing bars (not included).