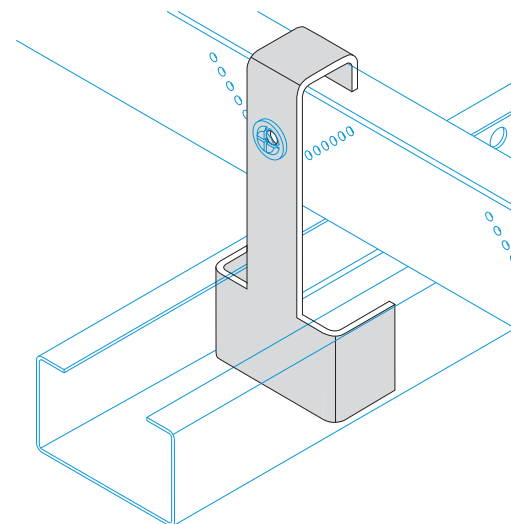
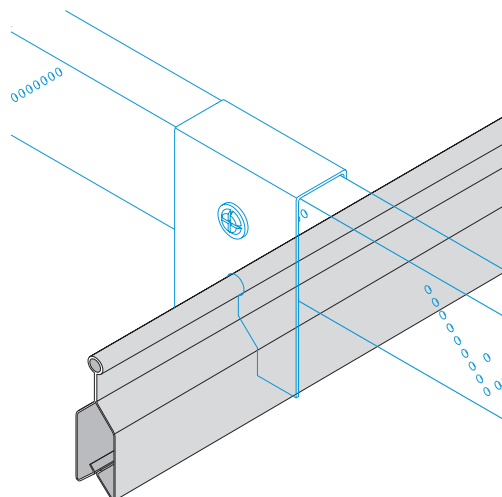
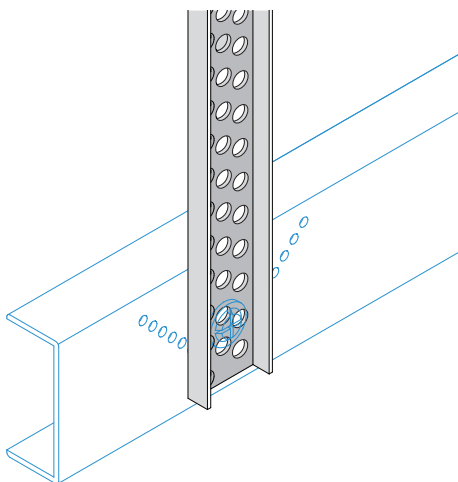


system components

| | |
|-------------------------------|------------|
| Emac suspension components | 144 |
| system 120 components | 145 |
| clip-in tiles, concealed grid | |
| system 130 components | 146 |
| lay-in tiles, exposed grid | |
| system 150 components | 149 |
| clip-in tiles, concealed grid | |

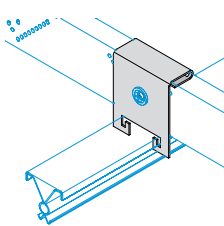
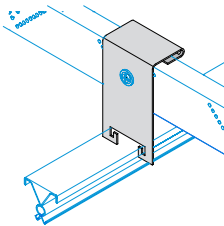
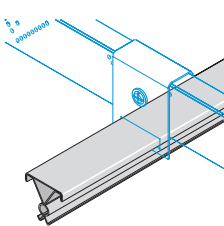
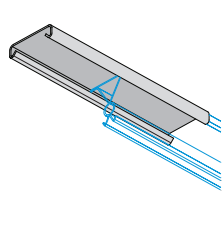
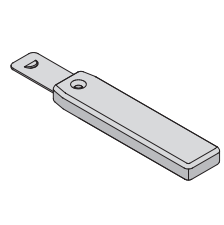
| | |
|----------------------------------|------------|
| system 200/205 components | 150 |
| hook-on tiles, concealed grid | |
| system 330 components | 151 |
| lay-in tiles, profile suspension | |
| tubeline components | 156 |
| tubular linear ceiling | |
| miscellaneous components | 157 |



Emac suspension components

| | Item Number | Item Description | Length | Folded Length | Gauge | Weight (kg) |
|-------------------------------------------------------------------------------------|-------------|------------------|--------|---------------|-------|-------------|
| Emac Suspension Components | | | | | | |
|  | 10188 | Emac Hanger | 396mm | 321mm | | 0.075 |
| | 10189 | Emac Hanger | 495mm | 420mm | | 0.091 |
| | 10190 | Emac Hanger | 594mm | 519mm | | 0.110 |
| | 10191 | Emac Hanger | 693mm | 618mm | | 0.135 |
| | 10192 | Emac Hanger | 891mm | 816mm | | 0.165 |
| | 10185 | Emac Hanger | 1089mm | 1014mm | | 0.195 |
| | 10186 | Emac Hanger | 1287mm | 1212mm | | 0.232 |
| | 10187 | Emac Hanger | 1584mm | 1509mm | | 0.274 |
|  | 22974 | Emac Channel | 4000mm | | 1.2mm | 2.550 |
| | 22975 | Emac Channel | 4000mm | | 1.5mm | 3.040 |
|  | 12097 | Emac Wall Anchor | | | | 0.047 |

system 120 components

| | Item Number | Item Description | Length | Nominal Height | Weight (kg) |
|-------------------------------------------------------------------------------------|-------------|-----------------------------------------------|--------|----------------|-------------|
| System 120 Components | | | | | |
|  | 12522 | Emac Spring Tee to Channel Bracket (Standard) | | 83mm | 0.027 |
|  | 21546 | Emac Spring Tee to Channel Bracket (Deep) | | 108mm | 0.039 |
|  | 22976 | SAS Emac Spring Tee | 4000mm | | 2.560 |
|  | 10408 | Emac Spring Tee Splice | | | 0.051 |
|  | 10196 | Access Tool for System 120/150 (pair) | | | 0.120 |

system 130 components

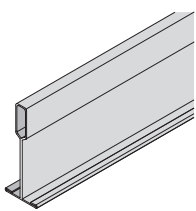
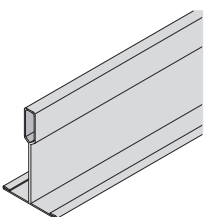
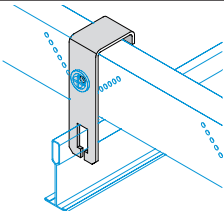
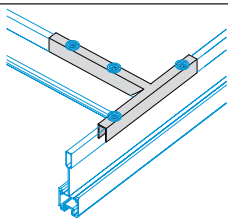
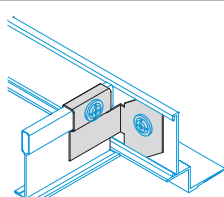
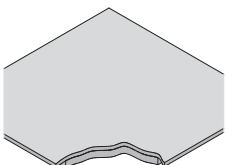
| | Item Number | Item Description | Length | To Suit Module Size | Weight (kg) |
|-------------------------------------------------------------------------------------|---------------------------|---------------------------------------------------|--------|---------------------|-------------|
| System 130 Components | | | | | |
|  | 10630 | Emac Hanger Bracket | | | 0.025 |
|  | 13378 | Alugrid-Q 15/08 Main Runner | 3000mm | 500mm | 1.167 |
| | 10444 | Alugrid-Q 15/08 Main Runner | 3000mm | 600mm | 1.167 |
| | 13380 | Alugrid-Q 15/08 Main Runner (Birdsmouth one side) | 3000mm | 600mm | 1.167 |
| | 13379 | Alugrid-Q 15/08 Main Runner | 3000mm | 750mm | 1.167 |
| | 10447 | Alugrid-Q 15/08 Cross Tee | 500mm | 500mm | 0.194 |
| | 10445 | Alugrid-Q 15/08 Cross Tee | 1000mm | 500mm | 0.389 |
| | 10448 | Alugrid-Q 15/08 Cross Tee | 600mm | 600mm | 0.233 |
| | 13385 | Alugrid-Q 15/08 Oversailing Cross Tee | 600mm | 600mm | 0.233 |
| | 10446 | Alugrid-Q 15/08 Cross Tee | 1200mm | 600mm | 0.467 |
| | 13383 | Alugrid-Q 15/08 Oversailing Cross Tee | 1200mm | 600mm | 0.467 |
|  | 13382 | Alugrid-Q 15/08 Cross Tee | 750mm | 750mm | 0.292 |
| | 10452 | Alugrid-Q 15/16 Main Runner | 3000mm | 500mm | 1.350 |
| | 10453 | Alugrid-Q 15/16 Main Runner | 3000mm | 600mm | 1.350 |
| | 10455 | Alugrid-Q 15/16 Main Runner (Birdsmouth one side) | 3000mm | 600mm | 1.350 |
| | 10454 | Alugrid-Q 15/16 Main Runner | 3000mm | 750mm | 1.350 |
| | 10458 | Alugrid-Q 15/16 Cross Tee | 500mm | 500mm | 0.250 |
| | 10456 | Alugrid-Q 15/16 Cross Tee | 1000mm | 500mm | 0.458 |
| | 10459 | Alugrid-Q 15/16 Cross Tee | 600mm | 600mm | 0.300 |
| | 13450 | Alugrid-Q 15/16 Oversailing Cross Tee | 600mm | 600mm | 0.300 |
| | 10457 | Alugrid-Q 15/16 Cross Tee | 1200mm | 600mm | 0.550 |
|  | 13445 | Alugrid-Q 15/16 Oversailing Cross Tee | 1200mm | 600mm | 0.550 |
| | 10460 | Alugrid-Q 15/16 Cross Tee | 750mm | 750mm | 0.375 |
| | 13460 | Alugrid-Q 15/19 Main Runner | 3000mm | 500mm | 1.350 |
| | 10594 | Alugrid-Q 15/19 Main Runner | 3000mm | 600mm | 1.350 |
| | 13462 | Alugrid-Q 15/19 Main Runner | 3000mm | 750mm | 1.350 |
| | 13475 | Alugrid-Q 15/19 Cross Tee | 500mm | 500mm | 0.250 |
| | 13469 | Alugrid-Q 15/19 Cross Tee | 1000mm | 500mm | 0.458 |
| | 10596 | Alugrid-Q 15/19 Cross Tee | 600mm | 600mm | 0.300 |
| 10595 | Alugrid-Q 15/19 Cross Tee | 1200mm | 600mm | 0.550 | |
| 13479 | Alugrid-Q 15/19 Cross Tee | 750mm | 750mm | 0.375 | |

Alugrid-Q is supplied with birds mouth and arrowheads as appropriate to reflect the module size. Alugrid-Q main runner and cross tees can be manufactured with birds mouth on one side only for perimeter and luminaire details. For full details of the range of Alugrid-Q options please see page 161 or contact a member of the SAS technical department.

system 130 components

| | Item Number | Item Description | Length | To Suit Module Size | Weight (kg) |
|-------------------------------------------------------------------------------------|-------------|-------------------------------|--------|---------------------|-------------|
| System 130 Components | | | | | |
|  | 22533 | Alugrid-Q 25/16 Main Runner | 3000mm | 500mm | 1.565 |
| | 13496 | Alugrid-Q 25/16 Main Runner | 3000mm | 600mm | 1.565 |
| | 13497 | Alugrid-Q 25/16 Main Runner | 3000mm | 750mm | 1.565 |
| | 22534 | Alugrid-Q 25/16 Cross Tee | 500mm | 500mm | 0.260 |
| | 22535 | Alugrid-Q 25/16 Cross Tee | 1000mm | 500mm | 0.315 |
| | 13501 | Alugrid-Q 25/16 Cross Tee | 600mm | 600mm | 0.625 |
| | 13499 | Alugrid-Q 25/16 Cross Tee | 1200mm | 600mm | 0.390 |
| | 13502 | Alugrid-Q 25/16 Cross Tee | 750mm | 750mm | |
|  | 10443 | Alugrid-P 15/08 Main Runner | 3000mm | N/A | 1.167 |
| | 13369 | Alugrid-P 15/08 Cross Tee | 500mm | 500mm | 0.194 |
| | 13374 | Alugrid-P 15/08 Cross Tee | 1000mm | 500mm | 0.389 |
| | 10441 | Alugrid-P 15/08 Cross Tee | 600mm | 600mm | 0.233 |
| | 10442 | Alugrid-P 15/08 Cross Tee | 1200mm | 600mm | 0.467 |
| | 13373 | Alugrid-P 15/08 Cross Tee | 750mm | 750mm | 0.292 |
|  | 10451 | Alugrid-P 15/16 Main Runner | 3000mm | N/A | 1.350 |
| | 13393 | Alugrid-P 15/16 Cross Tee | 500mm | 500mm | 0.250 |
| | 13402 | Alugrid-P 15/16 Cross Tee | 1000mm | 500mm | 0.458 |
| | 10449 | Alugrid-P 15/16 Cross Tee | 600mm | 600mm | 0.300 |
| | 10450 | Alugrid-P 15/16 Cross Tee | 1200mm | 600mm | 0.550 |
| | 13398 | Alugrid-P 15/16 Cross Tee | 750mm | 750mm | 0.375 |
|  | 13412 | Alugrid Cleanseal Main Runner | 3000mm | N/A | 1.350 |
| | 22536 | Alugrid Cleanseal Cross Tee | 500mm | 500mm | 0.250 |
| | 22537 | Alugrid Cleanseal Cross Tee | 1000mm | 500mm | 0.458 |
| | 13410 | Alugrid Cleanseal Cross Tee | 600mm | 600mm | 0.300 |
| | 13411 | Alugrid Cleanseal Cross Tee | 1200mm | 600mm | 0.550 |
| | 22538 | Alugrid Cleanseal Cross Tee | 750mm | 750mm | 0.375 |

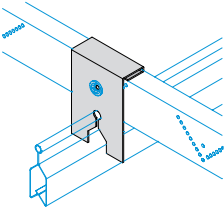
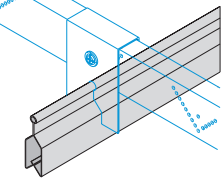
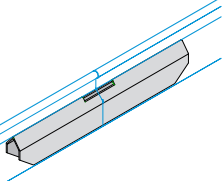
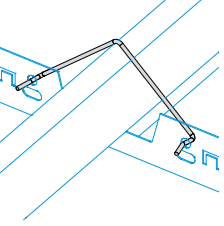
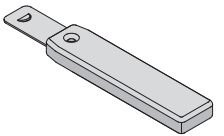
system 130 components

| | Item Number | Item Description | Length | To Suit Module Size | Weight (kg) |
|-------------------------------------------------------------------------------------|-------------|----------------------------------|--------|---------------------|-------------|
| System 130 Components | | | | | |
|  | 22914 | SAS Tee Grid T15 Main Runner* | 3000mm | N/A | 0.750 |
| | 22913 | SAS Tee Grid T15 Main Runner** | 3600mm | N/A | 0.925 |
| | 22906 | SAS Tee Grid T15 Cross Tee | 500mm | 500mm | 0.125 |
| | 22910 | SAS Tee Grid T15 Cross Tee | 1000mm | 500mm | 0.250 |
| | 22905 | SAS Tee Grid T15 Cross Tee | 600mm | 600mm | 0.150 |
| | 22909 | SAS Tee Grid T15 Cross Tee | 1200mm | 600mm | 0.300 |
| | 22904 | SAS Tee Grid T15 Cross Tee | 750mm | 750mm | 0.190 |
|  | 22920 | SAS Tee Grid T24 Main Runner* | 3000mm | N/A | 1.035 |
| | 22916 | SAS Tee Grid T24 Cross Tee | 500mm | 500mm | 0.175 |
| | 22918 | SAS Tee Grid T24 Cross Tee | 1000mm | 500mm | 0.345 |
| | 22919 | SAS Tee Grid T24 Cross Tee | 600mm | 600mm | 0.210 |
| | 22917 | SAS Tee Grid T24 Cross Tee | 1200mm | 600mm | 0.410 |
| | 22915 | SAS Tee Grid T24 Cross Tee | 750mm | 750mm | 0.260 |
|  | 21568 | Tee Grid to Emac Channel Bracket | | | 0.022 |
|  | 21567 | DB3 90° Connector Bracket | | | 0.038 |
|  | 21566 | Tee Grid to Extrusion Bracket | | | 0.014 |
|  | 21569 | dB Panel | | 500x500mm | 2.600 |
| | 13028 | dB Panel | | 600x600mm | 3.744 |
| | 21570 | dB Panel | | 750x750mm | 5.875 |

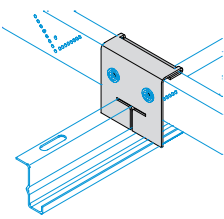
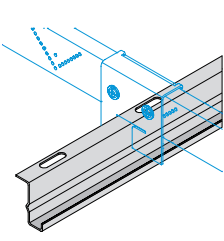
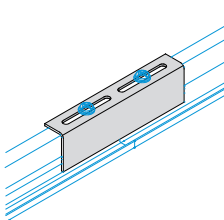
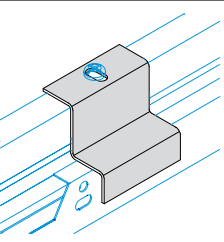
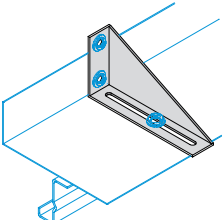
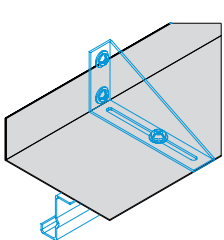
* To suit all SAS standard module sizes

** To suit 500 and 600mm module sizes

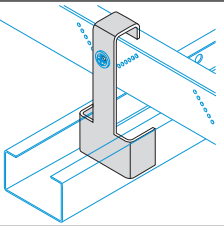
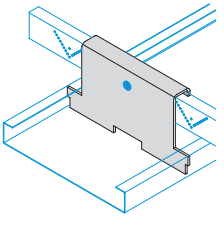
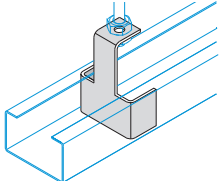
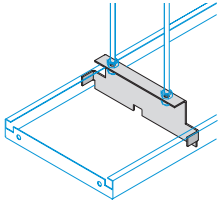
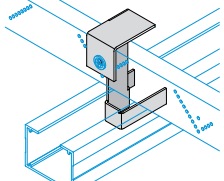
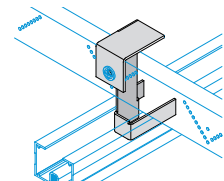
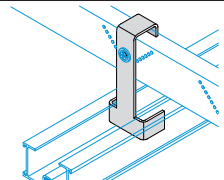
system 150 components

| | Item Number | Item Description | Length | Nominal Height | Weight (kg) |
|-------------------------------------------------------------------------------------|-------------|----------------------------------------------|--------|----------------|-------------|
| System 150 Components | | | | | |
|  | 10351 | Deep Omega Bar to Channel Bracket (Standard) | | 105mm | 0.046 |
| | 10335 | Deep Omega Bar to Channel Bracket | | 129mm | 0.057 |
| | 10405 | Deep Omega Bar to Channel Bracket | | 193mm | 0.087 |
| | 10406 | Deep Omega Bar to Channel Bracket Narrow | | 193mm | 0.041 |
|  | 22977 | Deep Omega Bar | 4000mm | | 2.270 |
|  | 10353 | Deep Omega Bar Splice | | | 0.051 |
|  | 21572 | Wire Security Clip | | | 0.010 |
|  | 10196 | Access Tool for System 120/150 (Pair) | | | 0.120 |

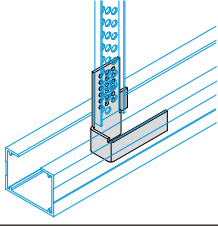
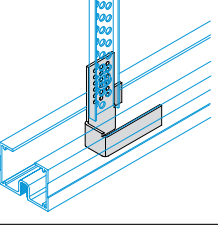
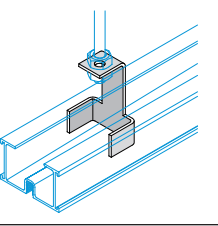
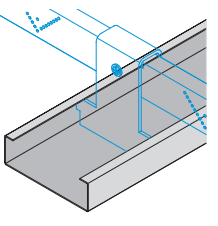
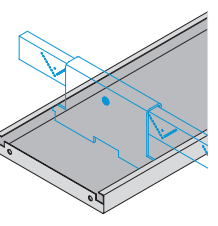
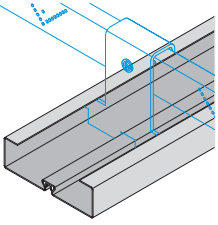
system 200/205 components

| | Item Number | Item Description | Length | Height | Nominal Height | Weight (kg) |
|-------------------------------------------------------------------------------------|-------------|-----------------------------------------------|--------|--------|----------------|-------------|
| System 200 Components | | | | | | |
|  | 10181 | J-Bar to Channel Bracket | | | 99mm | 0.071 |
|  | 10204 | J-Bar | 4000mm | 38mm | | 2.560 |
| | 10205 | J-Bar | 4000mm | 50mm | | 3.040 |
|  | 10180 | J-Bar Splice | | | | 0.104 |
|  | 10179 | Security Clip for 38mm J-Bar | | | | 0.052 |
| | 22595 | Security Clip for 50mm J-Bar | | | | |
|  | 21573 | Gallows Bracket | | 50mm | | 0.035 |
|  | 21574 | Closure Angle White (RAL 9010), 35 x 100mm | 2400mm | | | 1.780 |
| | 21575 | Closure Angle Black (RAL 9005), 35 x 100mm | 2400mm | | | 1.780 |

system 330 components

| | Item Number | Item Description | Width | Nominal Height | Weight (kg) |
|-------------------------------------------------------------------------------------|-------------------------------------------------------------------------------------|---------------------------------------------------------------|---------------------------------------------------------------|----------------|-------------|
| System 330 Components | | | | | |
|  | 21520 | C-Profile Hook Over Suspension Bracket for Emac Channel | 50mm | 100mm | 0.069 |
|  | 15612 | C-Profile Hook Over Suspension Bracket for Emac Channel | 100mm | 100mm | 0.113 |
| | 21521 | C-Profile Hook Over Suspension Bracket for Emac Channel | 150mm | 100mm | 0.335 |
| | 21522 | C-Profile Hook Over Suspension Bracket for Emac Channel | 200mm | 100mm | 0.496 |
| | 21523 | C-Profile Hook Over Suspension Bracket for Emac Channel | 250mm | 100mm | 0.658 |
| | 21524 | C-Profile Hook Over Suspension Bracket for Emac Channel | 300mm | 100mm | 0.819 |
|  | 21515 | C-Profile Suspension Bracket for Threaded Rod | 50mm | | 0.055 |
| | 21206 | C-Profile Suspension Bracket for Threaded Rod | 100mm | | 0.087 |
|  | 21436 | C-Profile Suspension Bracket for Threaded Rod | 150mm | | 0.147 |
| | 21514 | C-Profile Suspension Bracket for Threaded Rod | 200mm | | 0.215 |
| | 21525 | C-Profile Suspension Bracket for Threaded Rod | 250mm | | 0.284 |
| | 21516 | C-Profile Suspension Bracket for Threaded Rod | 300mm | | 0.383 |
| |  | 22004 | C-Profile Extrusion Bracket for Emac Channel to suit TCA 1182 | 40mm | |
|  | 22004 | C-Profile Extrusion Bracket for Emac Channel to suit TCA 0314 | 40mm | | |
|  | 21996 | C-Profile Extrusion Bracket for Emac Channel to suit TCA 0313 | 50mm | | |

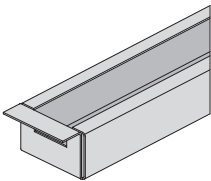
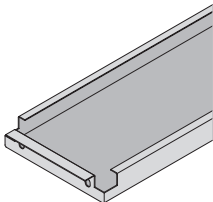
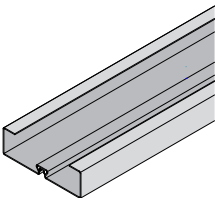
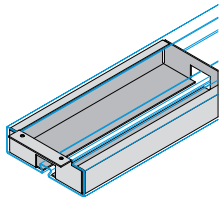

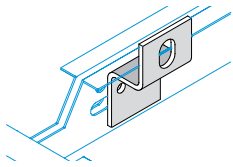
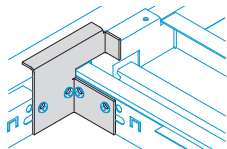
system 330 components

| | Item Number | Item Description | Width | Length | Weight (kg) |
|-------------------------------------------------------------------------------------|-------------|------------------------------------------------------------------------------|-------|--------|-------------|
| System 330 Components | | | | | |
|  | 22006 | C-Profile Extrusion Bracket for direct Emac Hanger support, to suit TCA 1182 | 40mm | | |
|  | 22006 | C-Profile Extrusion Bracket for direct Emac Hanger support, to suit TCA 0314 | 40mm | | |
|  | 22005 | C-Profile Extrusion Bracket for Threaded Rod to suit TCA 0313 | 50mm | | |
| C-Profile | | | | | |
|  | 21265 | C-Profile Open Ends | 50mm | 3000mm | 3.060 |
| | 21266 | C-Profile Open Ends | 100mm | 3000mm | 4.360 |
|  | 21267 | C-Profile Closed Ends | 150mm | 3000mm | 5.535 |
| | 21268 | C-Profile Closed Ends | 200mm | 3000mm | 6.710 |
| | 21269 | C-Profile Closed Ends | 250mm | 3000mm | 7.890 |
| | 21270 | C-Profile Closed Ends | 300mm | 3000mm | 9.070 |
| Omega C-Profile | | | | | |
|  | 21502 | Omega C-Profile Open Ends | 100mm | 3000mm | 4.830 |
| | 21503 | Omega C-Profile Open Ends | 200mm | 3000mm | 7.180 |
| | 21504 | Omega C-Profile Open Ends | 300mm | 3000mm | 9.540 |

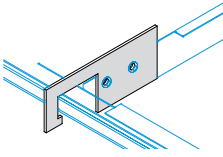
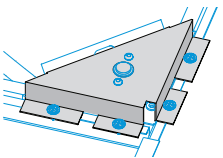
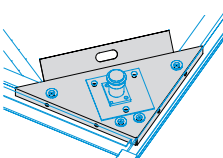
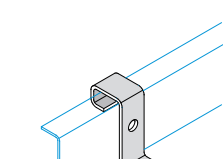
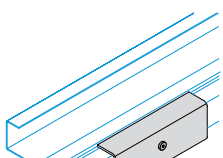
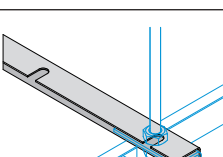
system 330 components

| | Item Number | Item Description | Width | Length | Weight (kg) |
|-------------------------------------------------------------------------------------|-------------|-----------------------------------------------------|-------|--------|-------------|
| System 330 Components | | | | | |
|  | 22428 | C-Profile Aluminium Extrusion (TCA 1182) | 40mm | 3000mm | |
|  | 14110 | Threadform C-Profile Aluminium Extrusion (TCA 0314) | 40mm | 3000mm | |
|  | 14105 | Threadform C-Profile Aluminium Extrusion (TCA 0313) | 50mm | 3000mm | |
|  | 21527 | C-Profile Splice | 50mm | | 0.116 |
| | 21529 | C-Profile Splice | 100mm | | 0.175 |
|  | 21534 | Omega C-Profile Splice | 100mm | | 0.203 |
| | 21535 | Omega C-Profile Splice | 200mm | | 0.362 |
| | 21536 | Omega C-Profile Splice | 300mm | | 0.500 |

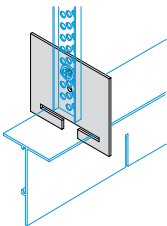
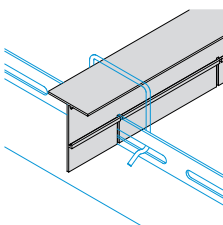
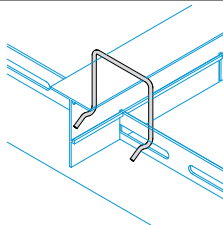
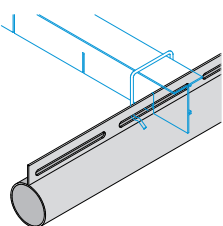
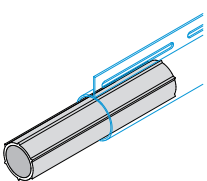
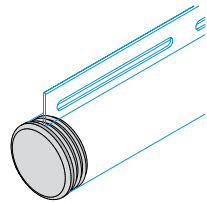
system 330 components

| | Item Number | Item Description | Width | Length | Weight (kg) |
|-------------------------------------------------------------------------------------|-------------|-------------------------------------------|-------|--------|-------------|
| System 330 Components | | | | | |
|  | 21505 | C-Profile Noggin (to suit 1500mm modules) | 50mm | 1450mm | 1.520 |
|  | 21506 | C-Profile Noggin (to suit 1500mm modules) | 100mm | 1400mm | 2.050 |
| | 21507 | C-Profile Noggin (to suit 1500mm modules) | 150mm | 1350mm | 2.540 |
| | 21508 | C-Profile Noggin (to suit 1500mm modules) | 200mm | 1300mm | 2.990 |
| | 21509 | C-Profile Noggin (to suit 1500mm modules) | 250mm | 1250mm | 3.420 |
| | 21510 | C-Profile Noggin (to suit 1500mm modules) | 300mm | 1200mm | 3.790 |
|  | 21511 | Omega C-Profile Noggin | 100mm | 1400mm | 2.250 |
| | 21512 | Omega C-Profile Noggin | 200mm | 1300mm | 3.110 |
| | 21513 | Omega C-Profile Noggin | 300mm | 1200mm | 3.820 |
|  | 21537 | Omega C-Profile End Shoe | 100mm | | 0.209 |
| | 21538 | Omega C-Profile End Shoe | 200mm | | 0.378 |
| | 21539 | Omega C-Profile End Shoe | 300mm | | 0.525 |
|  | 10197 | Safety Cable | | 300mm | 0.020 |
|  | 22400 | Safety Cable Bracket | | | 0.021 |
|  | 22401 | Flying Arm Bracket R/H | | | 0.057 |
| | 22405 | Flying Arm Bracket L/H | | | 0.057 |

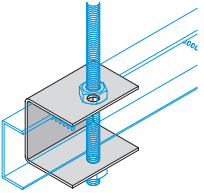
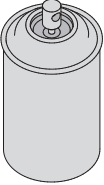
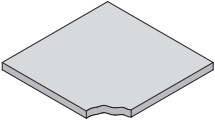
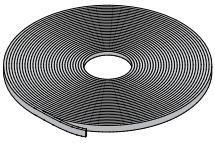
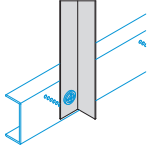
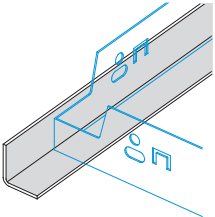
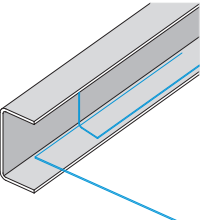
system 330 components

| | Item Number | Item Description | Width | Length | Weight (kg) |
|-------------------------------------------------------------------------------------|-------------|---------------------------------------------|-------|--------|-------------|
| System 330 Components | | | | | |
|  | 21541 | End Arm Bracket | | | 0.051 |
|  | 12415 | Top Touch Latch Bracket | | | 0.109 |
|  | 19404 | Bottom Touch Latch Bracket | | | 0.096 |
|  | 21540 | Flip Over Tab | | | 0.011 |
|  | 21542 | Pivot Hole Drilling Jig | | | 0.145 |
|  | 21543 | Distancing Profile (to suit 1500mm modules) | | | 0.609 |

tubeline components

| | Item Number | Item Description | Length | Tube Centres | Weight (kg) |
|-------------------------------------------------------------------------------------|-------------|---------------------------------------|--------|--------------|-------------|
| Tubeline Components | | | | | |
|  | 10532 | Carrier Suspension Bracket, TCB12 | | | 0.051 |
|  | 22411 | Tubeline Carrier, TCA0219 (RAL 9005)* | 3000mm | 50mm | 1.618 |
| | 22412 | Tubeline Carrier, TCA0219 (RAL 9005)* | 3000mm | 100mm | 1.618 |
| | 22413 | Tubeline Carrier, TCA0219 (RAL 9005)* | 3000mm | 150mm | 1.618 |
| | 22414 | Tubeline Carrier, TCA0219 (RAL 9005)* | 3000mm | 200mm | 1.618 |
|  | 10537 | Wire Clips (RAL 9005)* | | | 0.010 |
|  | 14114 | 25mmØ Tube (RAL 9010)* | 3000mm | | 1.146 |
| | 14125 | 50mmØ Tube (RAL 9010)* | 3000mm | | 2.289 |
|  | 22409 | 25mmØ Tubeline Splice | | | 0.380 |
| | 14128 | 50mmØ Tubeline Splice | | | 0.760 |
|  | 10698 | 25mmØ End Cap (RAL 9010)* | | | 0.120 |
| | 10569 | 50mmØ End Cap (RAL 9010)* | | | 0.120 |

* Other colours available, see page 86 for further details

| | Item Number | Item Description | Length | Weight (kg) |
|-------------------------------------------------------------------------------------|-------------|-----------------------------------------------------|--------|-------------|
| Miscellaneous Components | | | | |
|  | 21578 | Threaded Rod to Emac Channel Bracket | | 0.072 |
|  | 12227 | RAL9010 Touch Up Spray Paint 400ml Can | | N/A |
|  | 12627 | 600 x 600mm Wrapped 18mm x 80kg Acoustic Pad | | 0.850 |
| | 10622 | 600 x 600mm Polybag 15mm x 80kg Acoustic Pad | | 0.710 |
|  | 12148 | Standard Black Foam Gasket for on-site installation | 20m | N/A |
| | 12146 | Self Adhesive Grey Brushceil Gasket | 25m | N/A |
|  | 10183 | 19x19mm Suspension Angle | 3600mm | |
|  | 10396 | 24 x 19mm Wall Angle | 3000mm | |
|  | 10199 | 38 x 19mm Wall Channel | 3000mm | |

