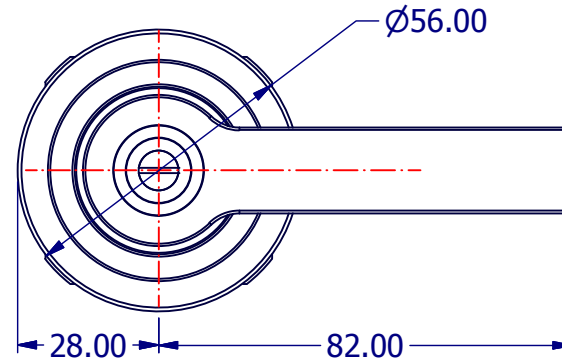


1/2" BSP INLET

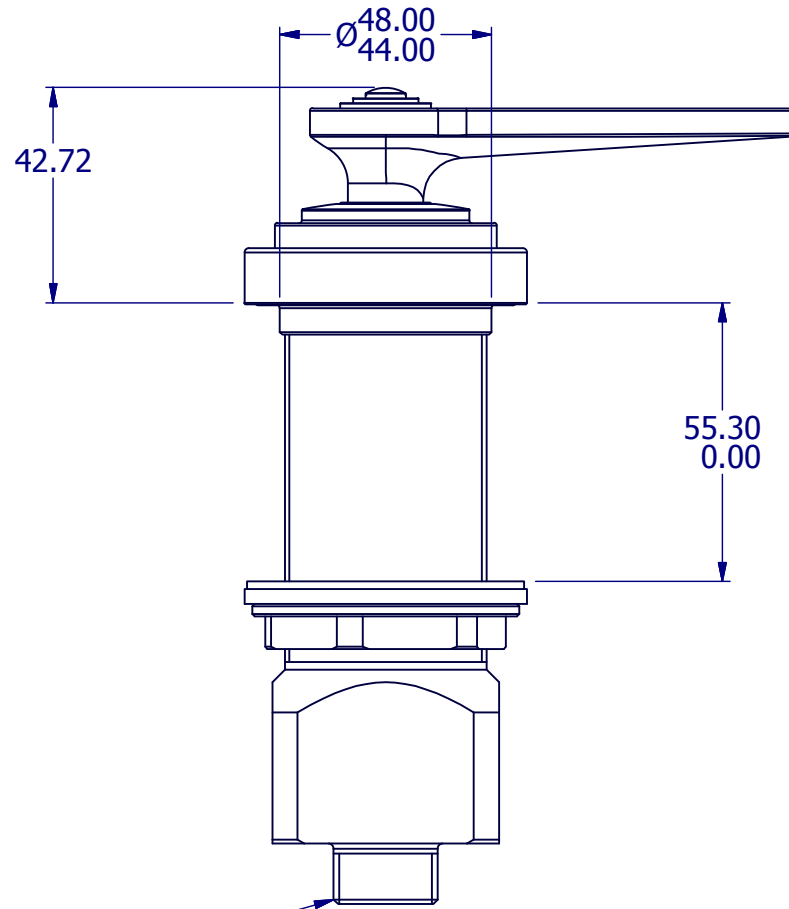
119.30



Ø56.00

28.00

82.00



Ø48.00  
44.00

42.72

55.30  
0.00

1/2" BSP OUTLETS

PROPERTY OF SAMUEL HEATH ©			DESIGNER	ANTONIO DUGGAL	
A4	DRG No.	V7K41-LF	ISSUE NO.	A	ISSUE DATE 18/08/17