



## PRODUCT DATASHEET

# PAY WINDOWS

### APPLICATIONS:

- Cash Offices
- Consular Service
- Stadia
- Ticket Offices
- Security Offices

### SECURITY WINDOWS FOR SERVICE AND TICKETING

**Protect staff securely and enhance the ticketing, information and payment process with Safetell Pay Window units.**

- Highly resistant security glazing to protect staff against bullet and / or manual attacks
- Safetell Pay Window modules include framework, security glazing, counterwork, document or cash scoop, and either either passive or electronic speech transfer
- Standard off-the-shelf solutions or custom solutions made to match project requirement are available



**Safetell**  
SAFETY SECURITY PROTECTION



### GENERAL ENQUIRIES:

+44 (0) 1322 22 32 33

[sales@safetell.co.uk](mailto:sales@safetell.co.uk)

[Safetell.co.uk](http://Safetell.co.uk)

## // PW1



The PW1 is designed for internal use and transfer of larger items through a deeper transaction tray.



The PW1 is designed to allow the passive transfer of speech while retaining the security of staff.



### Dimensions

Height: 918mm  
Width: 513mm  
Depth: 610mm



### Weight

Standard PW1: Bullet Resistant 42mm Glass: 60 kg  
Optional PW1: Manual Attack 13.5mm Glass: 38 kg



### Resistance

Standard PW1: 42mm Glass BS5051 G2  
Optional PW1: 13.5mm Glass EN356 P4A



### Transfer Tray

Standard: 113mm Deep Tray with Slider  
Tray Width 304mm  
Optional: 57mm Deep Tray with Slider



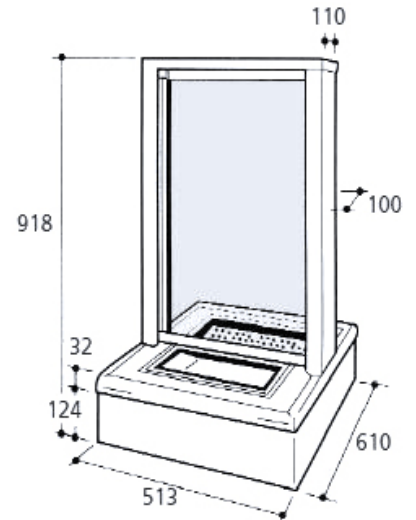
### Construction

Screen Frame: Stainless Steel  
Counter Surface: Blue/Grey marmoleum real ref 3182 Laponia with hardwood edgings



### Availability

Standard: 42mm Glass version with 113mm Transfer Tray - available off-the-shelf subject to demand  
Optional: Bespoke options and versions of PW1 manufactured to order - call Safetell for lead time



## // PW2



The PW2 is designed for internal use and transfer of smaller items through a shallow transaction tray.



The PW2 is designed to allow the passive transfer of speech while retaining the security of staff.



### Dimensions

Height: 794mm  
Width: 513mm  
Depth: 610mm



### Weight

Bullet Resistant 42mm Glass: 47 kg  
Manual Attack 13.5mm Glass: 25 kg



### Resistance

Bullet Resistant 42mm Glass - BS5051 G2  
Manual Attack 13.5mm Glass - EN356 P4A



### Transfer Tray

19mm Deep Tray without Slider  
Tray width 300mm



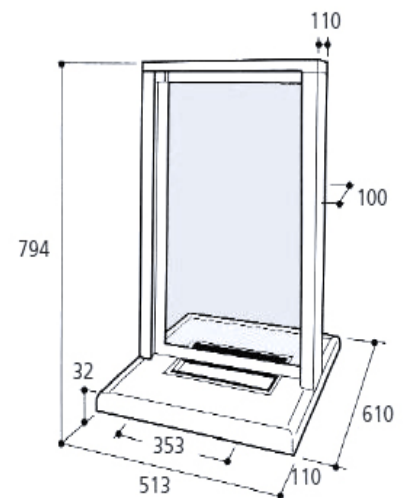
### Construction

Screen Frame: Stainless Steel  
Counter Surface: Blue/Grey marmoleum real ref 3182 Laponia with hardwood edgings



### Availability

Manufactured to order - call Safetell for lead time



## // PW3

The PW3 is designed for internal use and transfer of smaller items through a shallow transaction tray, and features a narrower counter surface making it ideal for use in through-the-wall or door applications.



The PW3 has a split frame to allow the passive transfer of speech while retaining the security of staff.



### Dimensions

Height: 794mm  
Width: 513mm  
Depth: 280mm



### Weight

Bullet Resistant 42mm Glass: 47 kg  
Manual Attack 13.5mm Glass: 25 kg



### Resistance

Bullet Resistant 42mm Glass BS5051 G2  
Manual Attack 13.5mm Glass EN356 P4A



### Transfer Tray

19mm Deep Tray without Slider  
Tray Width 300mm



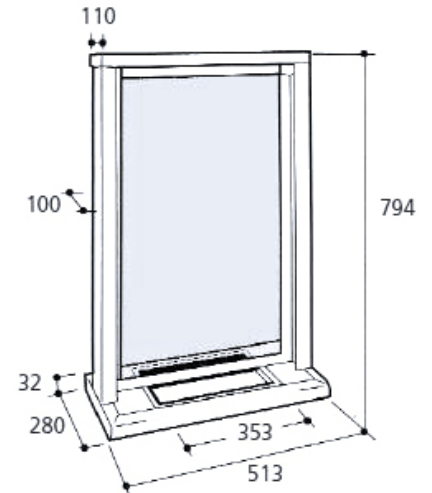
### Construction

Screen Frame: stainless steel  
Counter Surface: Blue/Grey marmoleum real ref 3182 Laponia with hardwood edgings



### Availability

Manufactured to order - call Safetell for lead time



## // PW4

The PW4 is designed for external use and transfer of smaller items through a shallow transaction tray, and has a narrower counter surface making it ideal for use in through-the-wall applications



The PW4 has cash scoop closure that enables the cash scoop to be closed when not in use.



### Dimensions

Height: 855mm  
Width: 620mm  
Depth: 195mm



### Weight

Bullet Resistant 42mm Glass Version 72 kg  
Manual Attack 13.5mm Glass Version 50 kg



### Resistance

Bullet Resistant 42mm Glass - BS5051 G2  
Manual Attack 13.5mm Glass - EN356 P4A



### Transfer Tray

25mm Deep Tray with Closer  
Tray Width 513mm



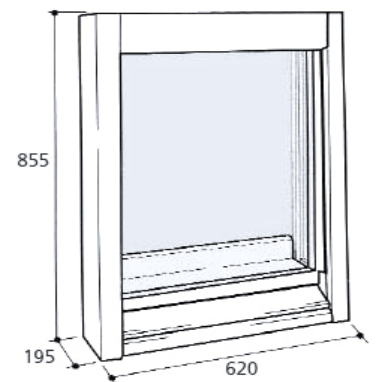
### Construction

Screen Frame: Stainless Steel  
Counter Surface: Stainless Steel



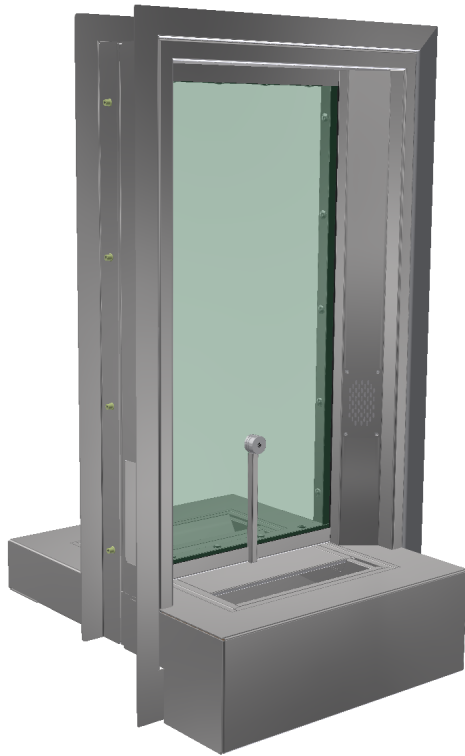
### Availability

Manufactured to order - call Safetell for lead time



## // PW5

The PW5 is designed for external use and transfer of larger items through a deeper transaction tray



The PW5 has a sealed glazing frame consistent with its external application, and integral electronic speech transfer built into the unit



### Dimensions

Height: 1042mm  
Width: 597mm  
Depth: 606mm



### Weight

Bullet Resistant 42mm Glass: 85kg  
Manual Attack 13.5mm Glass: 63kg



### Resistance

Bullet Resistant 42mm Glass BS5051 G2  
Manual Attack 13.5mm Glass EN356 P4A



### Transfer Tray

113mm Deep Tray with slider  
Tray Width 273mm



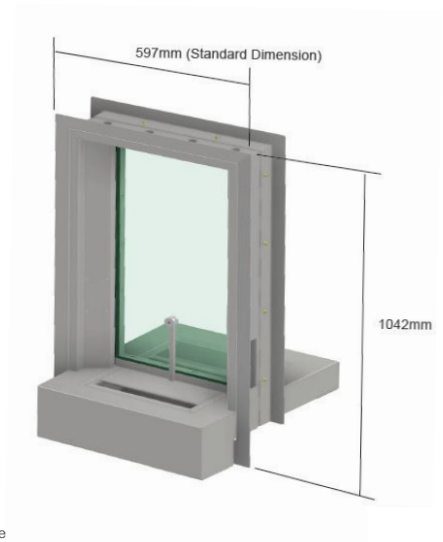
### Construction

Screen Frame: Stainless Steel  
Counter Surface: Stainless Steel



### Availability

Manufactured to order - call Safetell for lead time



## // BESPOKE

PW units can be constructed to meet a wide range of specifications, with sizing, transfer and business options to match any corporate need



### Dimensions

Pay Windows can be constructed and sized to your organisational requirements.



### Resistance

We're able to bespoke build to a range of specifications, from Manual Attack to Bullet Resistance



### Transfer Tray

Transfer Trays can be custom-fit to a variety of specifications



### Construction

Frames and counters can be specified to meet your business needs



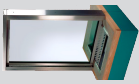
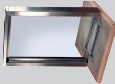



### Availability

Manufactured to order



### Any other requirement?

Our manufacturing capability allows for unique and tailored products to be bespoke designed for any requirement.

	Width	Height	Depth	Structural Opening Width x Height	Weight	Resistance	Speech Transfer	Transfer Tray Depth	Transfer Tray Width	Part Number
 <b>PW1</b>	513mm	918mm	610mm	523mm x 930mm	Bullet Resistant 42mm Glass Version 60 kg Manual Attack 13.5mm Glass Version 38 kg	<ul style="list-style-type: none"> <li>Bullet Resistant 42mm Glass BS5051 G2</li> <li>Manual Attack 13.5mm Glass EN356 P4A</li> </ul>	<ul style="list-style-type: none"> <li>Passive Speech</li> <li>Optional Electronic Bridgebar Speech Transfer</li> </ul>	Standard PW1: 113mm Deep Tray with slider Optional PW1: 57mm Deep Tray with slider	304mm	<ul style="list-style-type: none"> <li><b>011712</b> - PW1 with 42mm Glass and 113mm Tray</li> <li><b>012653</b> - PW1 with 42mm Glass and 57mm Tray</li> <li><b>011713</b> - PW1 with 13.5mm Glass and 113mm Tray</li> <li><b>012654</b> - PW1 with 13.5mm Glass and 57mm Tray</li> </ul>
 <b>PW2</b>	513mm	794mm	610mm	523mm x 800mm	Bullet Resistant 42mm Glass Version 47 kg Manual Attack 13.5mm Glass Version 25 kg	<ul style="list-style-type: none"> <li>Bullet Resistant 42mm Glass BS5051 G2</li> <li>Manual Attack 13.5mm Glass EN356 P4A</li> </ul>	<ul style="list-style-type: none"> <li>Passive Speech</li> <li>Optional Electronic Bridgebar Speech Transfer</li> </ul>	PW2: 19mm Deep Tray without slider	300mm	<ul style="list-style-type: none"> <li><b>011711</b> - PW2 with 42mm Glass</li> <li><b>012655</b> - PW2 with 13.5mm Glass</li> </ul>
 <b>PW3</b>	513mm	794mm	280mm	523mm x 800mm	Bullet Resistant 42mm Glass Version 47 kg Manual Attack 13.5mm Glass Version 25 kg	<ul style="list-style-type: none"> <li>Bullet Resistant 42mm Glass BS5051 G2</li> <li>Manual Attack 13.5mm Glass EN356 P4A</li> </ul>	<ul style="list-style-type: none"> <li>Passive Speech</li> <li>Optional Electronic Bridgebar Speech Transfer</li> </ul>	PW3: 19mm Deep Tray without slider	300mm	<ul style="list-style-type: none"> <li><b>011708</b> - PW3 with 42mm Glass</li> <li><b>011709</b> - PW3 with 13.5mm Glass</li> </ul>
 <b>PW4</b>	620mm	855mm	195mm	630mm x 865mm	Bullet Resistant 42mm Glass Version 72 kg Manual Attack 13.5mm Glass Version 50 kg	<ul style="list-style-type: none"> <li>Bullet Resistant 42mm Glass BS5051 G2</li> <li>Manual Attack 13.5mm Glass EN356 P4A</li> </ul>	<ul style="list-style-type: none"> <li>Passive Speech</li> </ul>	PW4: 25mm Deep with closure	513mm	<ul style="list-style-type: none"> <li><b>012639</b> - PW4 with 42mm Glass</li> <li><b>012656</b> - PW4 with 13.5mm Glass</li> </ul>
 <b>PW5</b>	597mm	1042mm	606mm	607mm x 1048mm	Bullet Resistant 42mm Glass Version 85 kg Manual Attack 13.5mm Glass Version 63 kg	<ul style="list-style-type: none"> <li>Bullet Resistant 42mm Glass BS5051 G2</li> <li>Manual Attack 13.5mm Glass EN356 P4A</li> </ul>	<ul style="list-style-type: none"> <li>Electronic Bridgebar Speech Transfer</li> </ul>	PW5: 113mm Deep Tray with slider Optional PW5: 57mm Deep with slider	273mm	<ul style="list-style-type: none"> <li><b>012644</b> - PW5 with 42mm Glass</li> <li><b>012657</b> - PW5 with 13.5mm Glass</li> </ul>

Can't find what you're looking for?

Pay Windows can be bespoke designed and constructed to a wide variety of specialist needs to meet your requirement.

Safetell Pay Windows are supported by our Service + Support agreement. If interested in full maintenance support, please contact our team at Safetell.co.uk

# HELPING SECURE YOUR ORGANISATION

With 30 years of security expertise, Safetell has worked on a vast number of projects throughout the years with an emphasis on providing the best products and bespoke solutions possible, with strong relationships formed across a wide number of sectors, from customer-facing environments such as banks, building societies, corporate offices and high end retailers to private and specialist facilities, such as data centres, schools and hospitals.

<p><b>WIDE PRODUCT RANGE</b></p>	<p><b>From manual attack resistant cash counters, windows and moving security screens; to bullet resistant doors, partitions, and interlocking door airlocks.</b></p> <p>Safetell offers a wide array of bespoke solutions built upon an expansive range of options, allowing for unique solutions to be designed specially to protect staff and assets.</p>	 <p><b>BESPOKE SOLUTIONS</b> Designed from start to end to meet any requirements.</p>
<p><b>PROJECT DELIVERY</b></p>	<p><b>Our collaborative approach to security is backed up by accreditation, expert technicians and managers, industry best-practice and peace of mind.</b></p> <p>From specification to installation and delivery, Safetell's provides a dedicated single-point of contact to manage every part of your solution. All Safetell staff are vetted to BS5878:2012.</p>	 <p><b>END-TO-END SERVICE</b> Secured solutions for peace of mind</p>
<p><b>SERVICE AND SUPPORT</b></p>	<p><b>Our Service Division has been instrumental in building our reputation as a premium security supplier and servicer, extending the life of your products and reducing operating costs.</b></p> <p>We are a leading designer, manufacturer, installer and maintenance provider of a wide range of Physical Security, Cash Management, Asset Protection and Counter Terror solutions.</p>	 <p><b>24/7 SUPPORT</b> Nationwide call-out from vetted engineers</p>

We are fully accredited...



BS 7858: 2012



## CONTACT

### Address

**Safetell**  
46 Fawkes Avenue  
Dartford  
DA1 1JQ

### Phone

**Sales:**  
+44 (0)1322 223 233  
**Support:**  
+44 (0)1322 428 971

### Online

Sales: sales@safetell.co.uk  
Support: support@safetell.co.uk

**Version: 05/18**