

Copyright:
 Copyright and design is owned by
UNIQUE CONSTRUCTION SOLUTIONS

Patent:
 Intellectual rights are owned by
UNIQUE CONSTRUCTION SOLUTIONS
 UK Patent No. 2429022

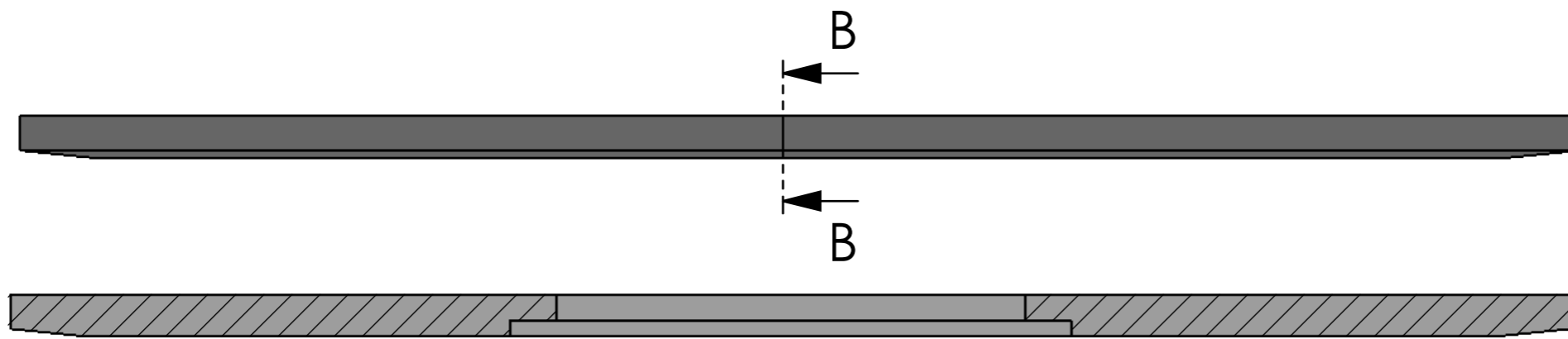
UNIQUE CONSTRUCTION SOLUTIONS

Solutions House
 16 Bellrope House
 Samford Road
 Thaxted, Essex
 CM6 2FE
 ENGLAND
 Tel: +44 1371 832 152
 Fax: +44 1371 831 983
 Email: info@seamlessabutments.com

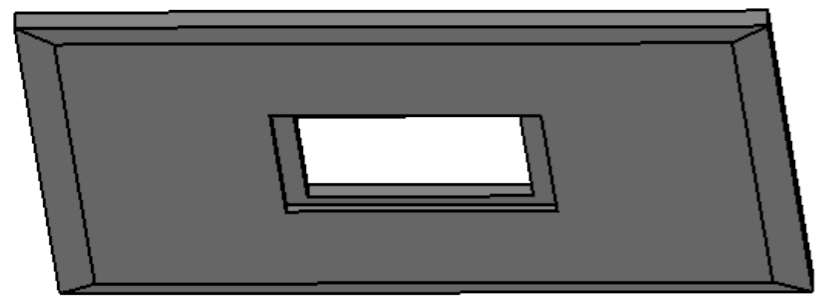
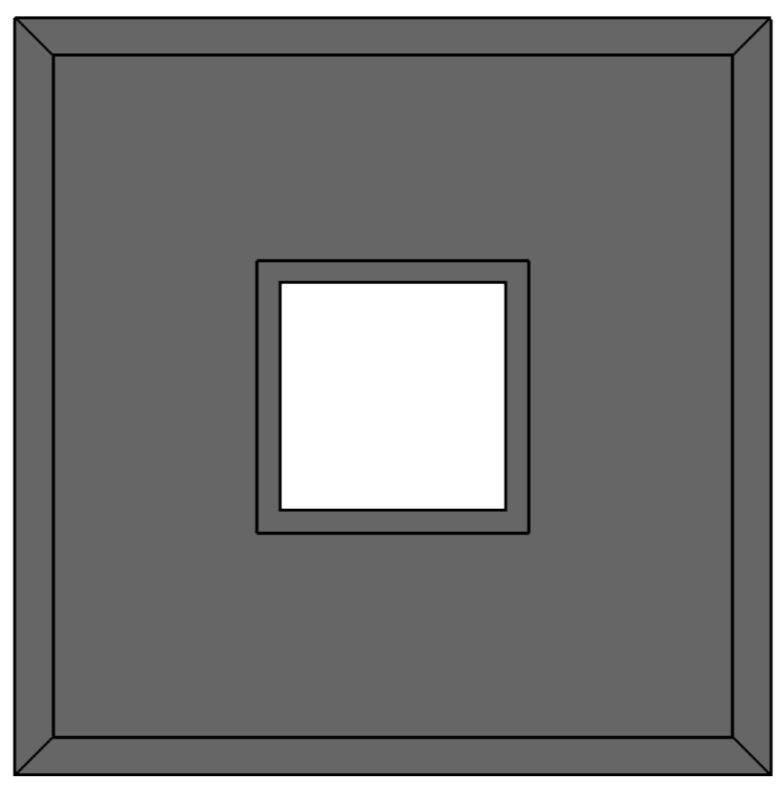
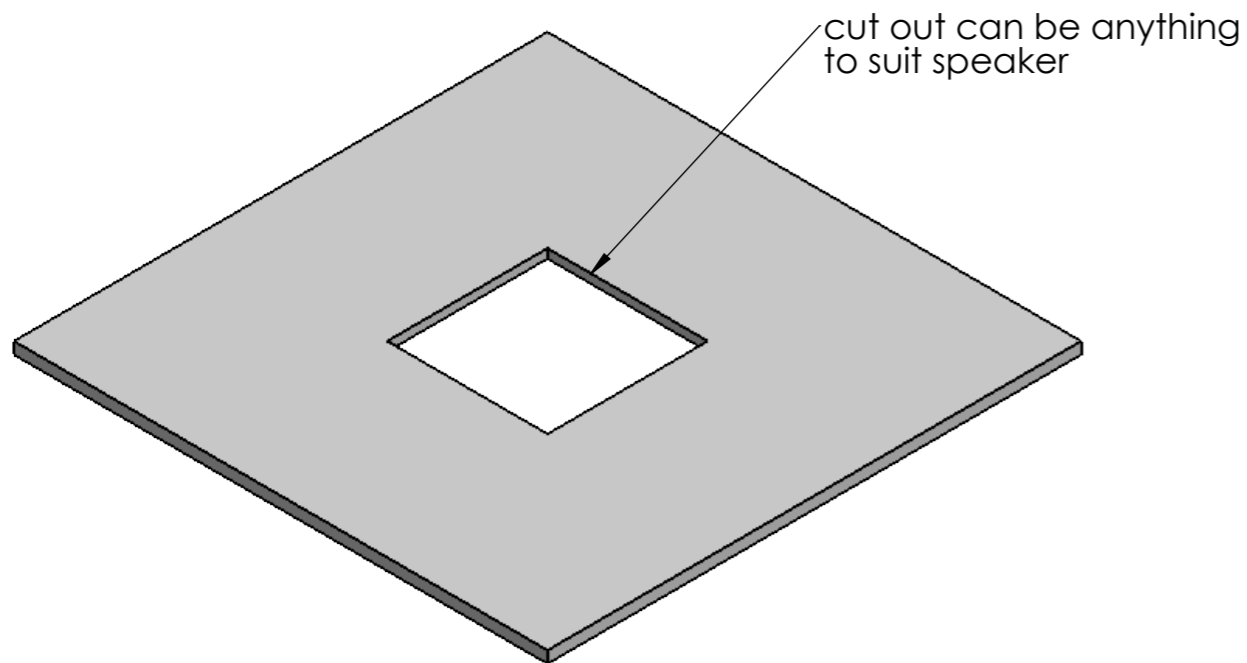
Title
 Seamless Click Access

Original Scale	Drawn	Date
1:2 1:5 @ AI	KR	08-05-2017

Drawing Number
Access panel



SECTION B-B
SCALE 1 : 2



Copyright:
Copyright and design is owned by
UNIQUE CONSTRUCTION SOLUTIONS

Patent: Intellectual rights are owned by
UNIQUE CONSTRUCTION SOLUTIONS
UK Patent No. 2429022

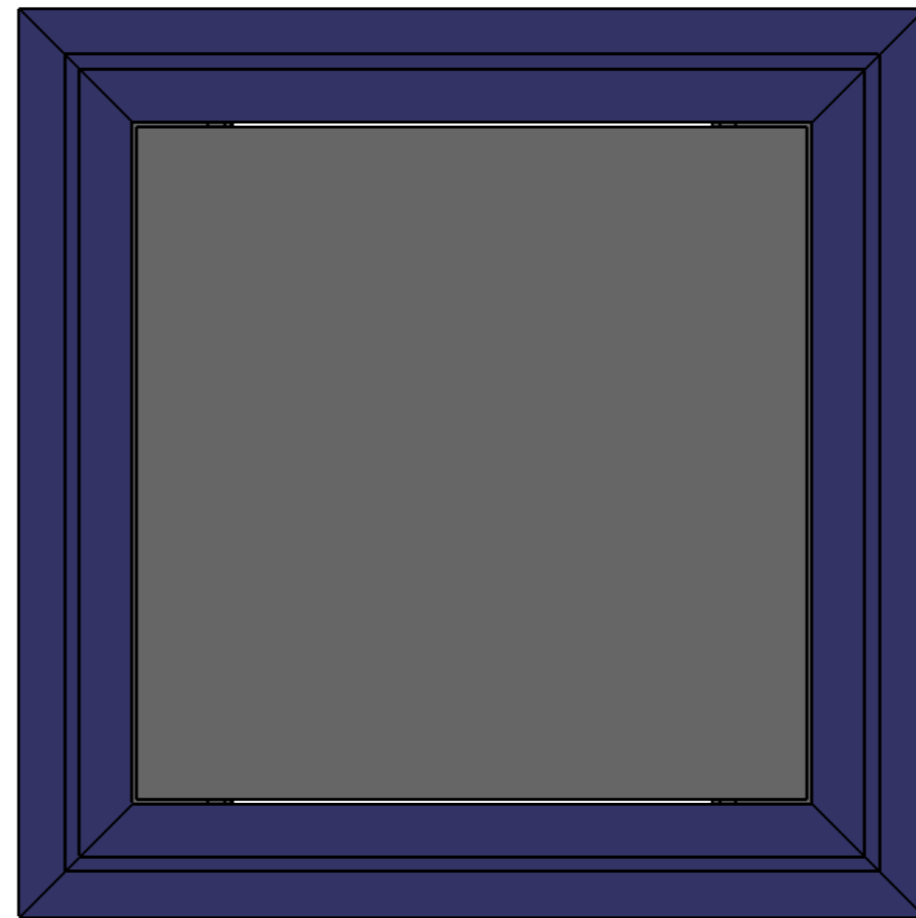
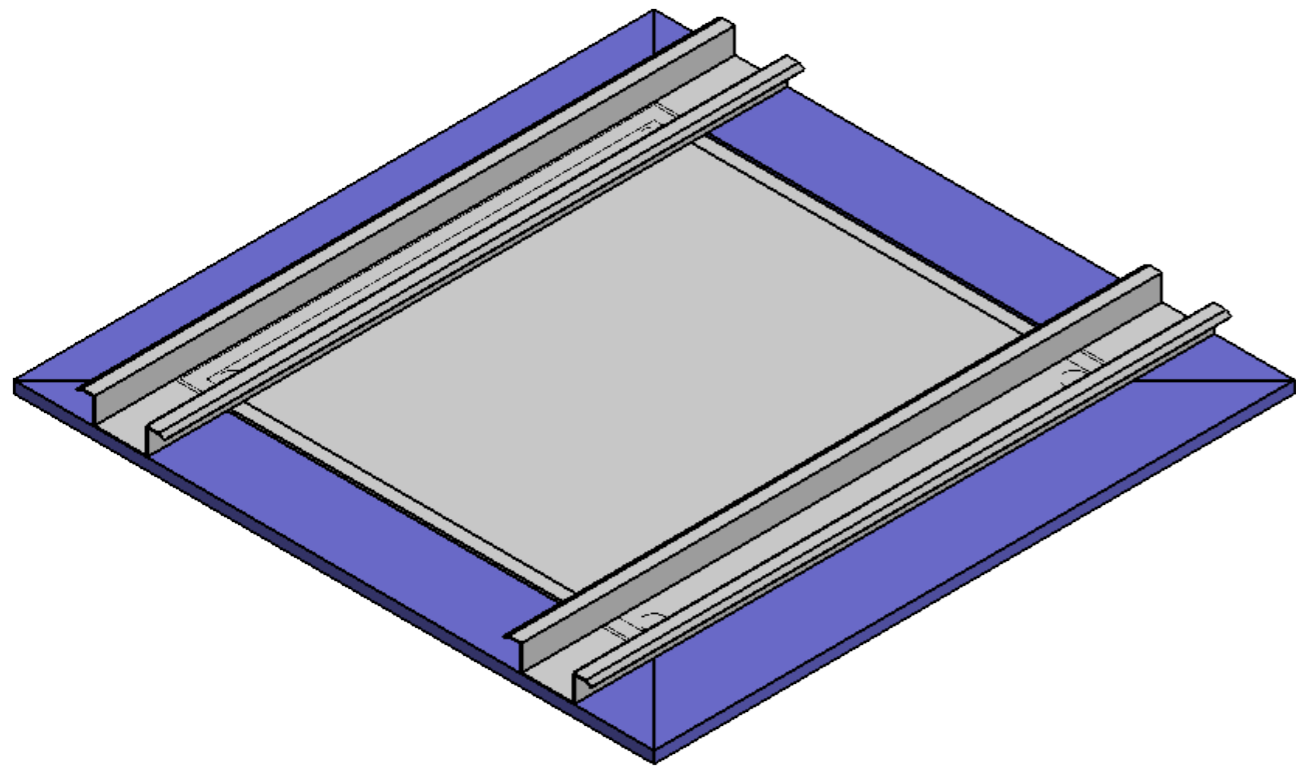
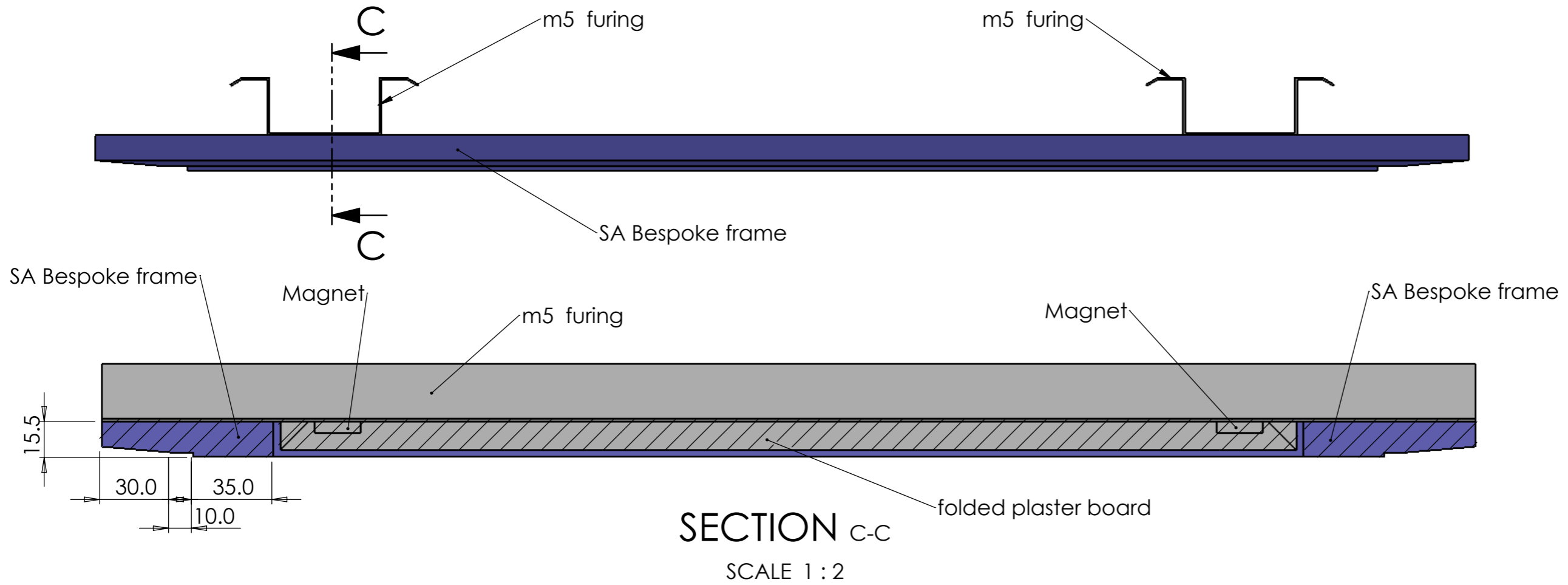
UNIQUE CONSTRUCTION SOLUTIONS

Solutions House
16 Bellrope House
Samford Road
Thaxted, Essex
CM6 2FE
ENGLAND
Tel: +44 1371 832 152
Fax: +44 1371 831 983
Email: info@seamlessabutments.com

Title
Seamless Audio

Original Scale 1:2 1:5 @ AI	Drawn KR	Date 08-05-2017
---------------------------------------	--------------------	---------------------------

Drawing Number
Speaker Tile



Copyright:
 Copyright and design is owned by
 UNIQUE CONSTRUCTION
 SOLUTIONS

Patent: Intellectual rights are owned by
 UNIQUE CONSTRUCTION
 SOLUTIONS
 UK Patent No. 2429022

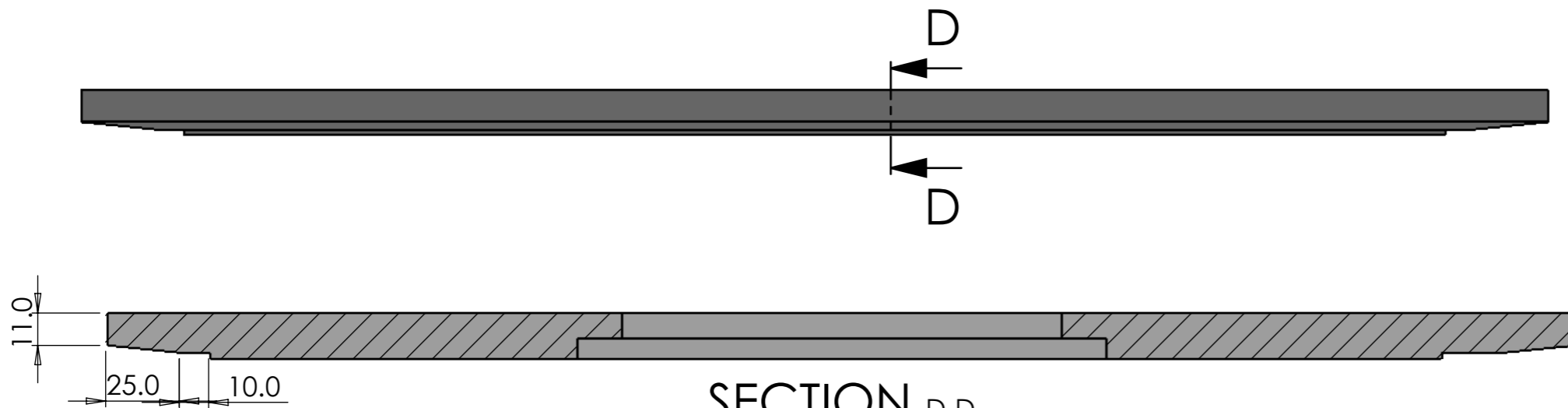
**UNIQUE CONSTRUCTION
 SOLUTIONS**

Solutions House
 16 Bellrope House
 Samford Road
 Thaxted, Essex
 CM6 2FE
 ENGLAND
 Tel: +44 1371 832 152
 Fax: +44 1371 831 983
 Email: info@seamlessabutments.com

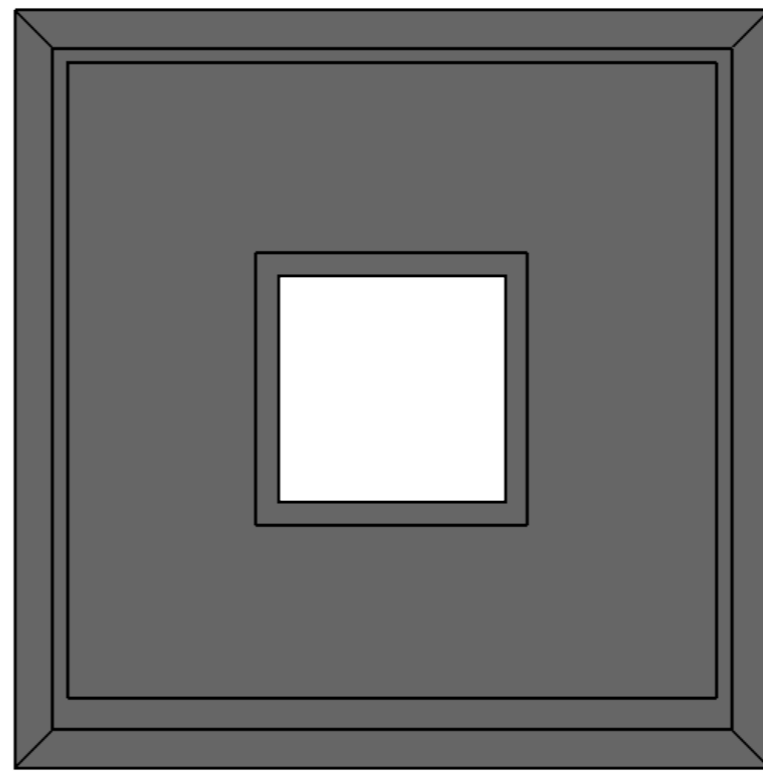
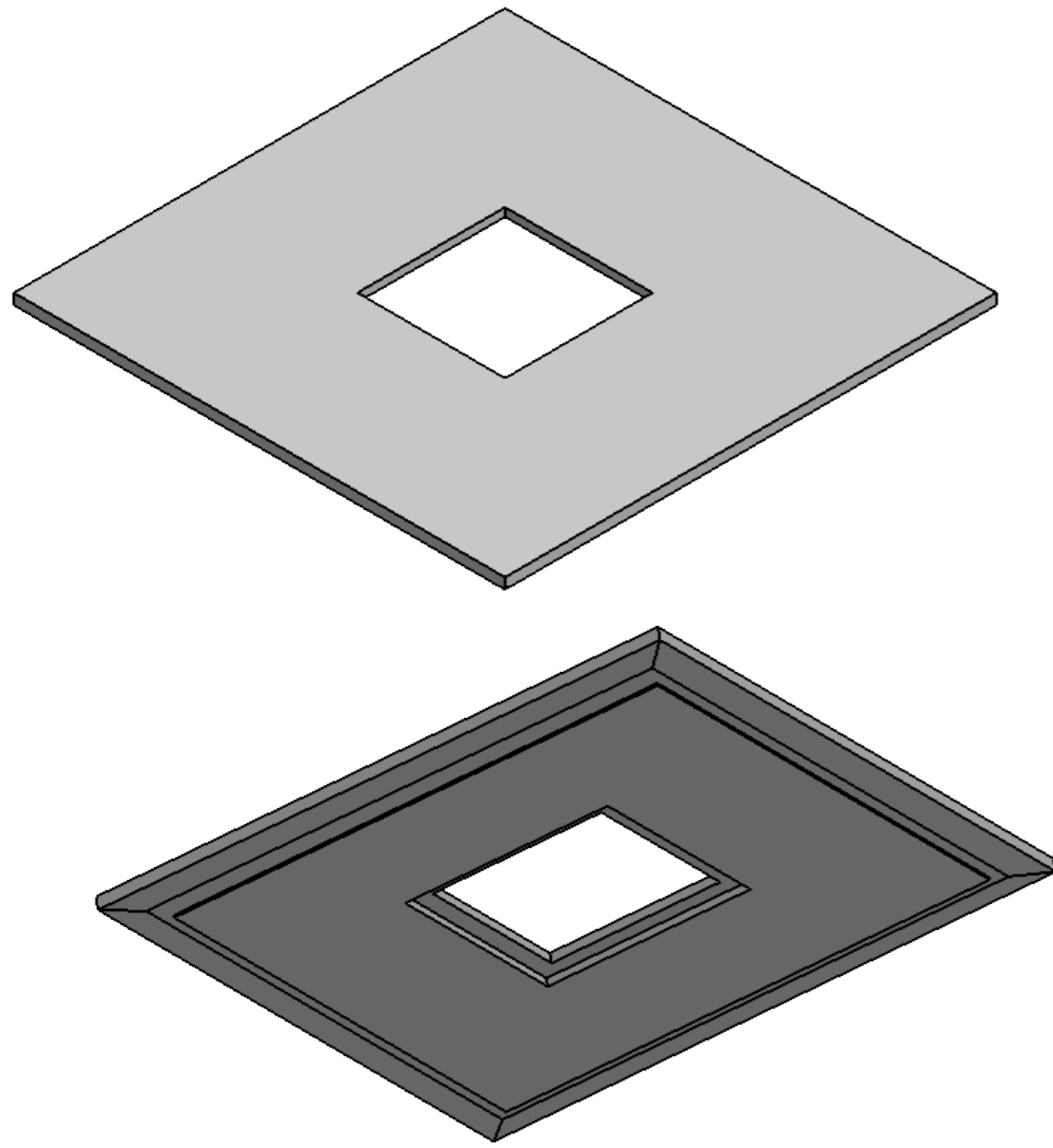
Title
 Seamless Click Access Skim Finish

Original Scale 1:2 1:5 @ AI	Drawn KR	Date 09-05-2017
--------------------------------	-------------	--------------------

Drawing Number
 Access Panel Skim Finish



SECTION D-D
SCALE 1 : 2



Copyright:
Copyright and design is owned by
**UNIQUE CONSTRUCTION
SOLUTIONS**

Patent: Intellectual rights are owned by
**UNIQUE CONSTRUCTION
SOLUTIONS**
UK Patent No. 2429022

**UNIQUE CONSTRUCTION
SOLUTIONS**

Solutions House
16 Bellrope House
Samford Road
Thaxted, Essex
CM6 2FE
ENGLAND
Tel: +44 1371 832 152
Fax: +44 1371 831 983
Email: info@seamlessabutments.com

Title
Seamless Audio

Original Scale	Drawn	Date
1:2 1:5@ AI	KR	09-05-2017

Drawing Number
Speaker Tile Skim Finish