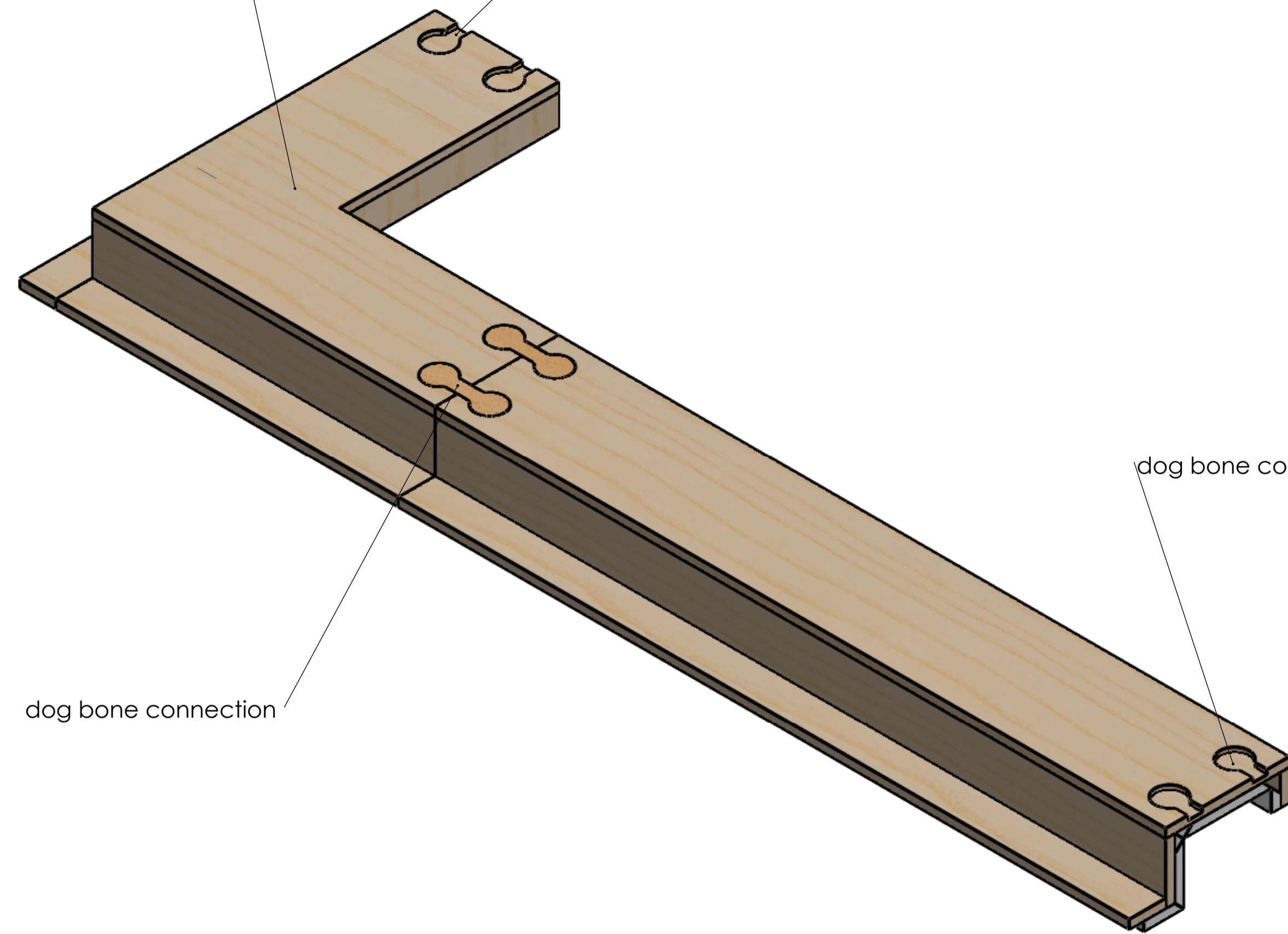


pre made corner section

dog bone connection

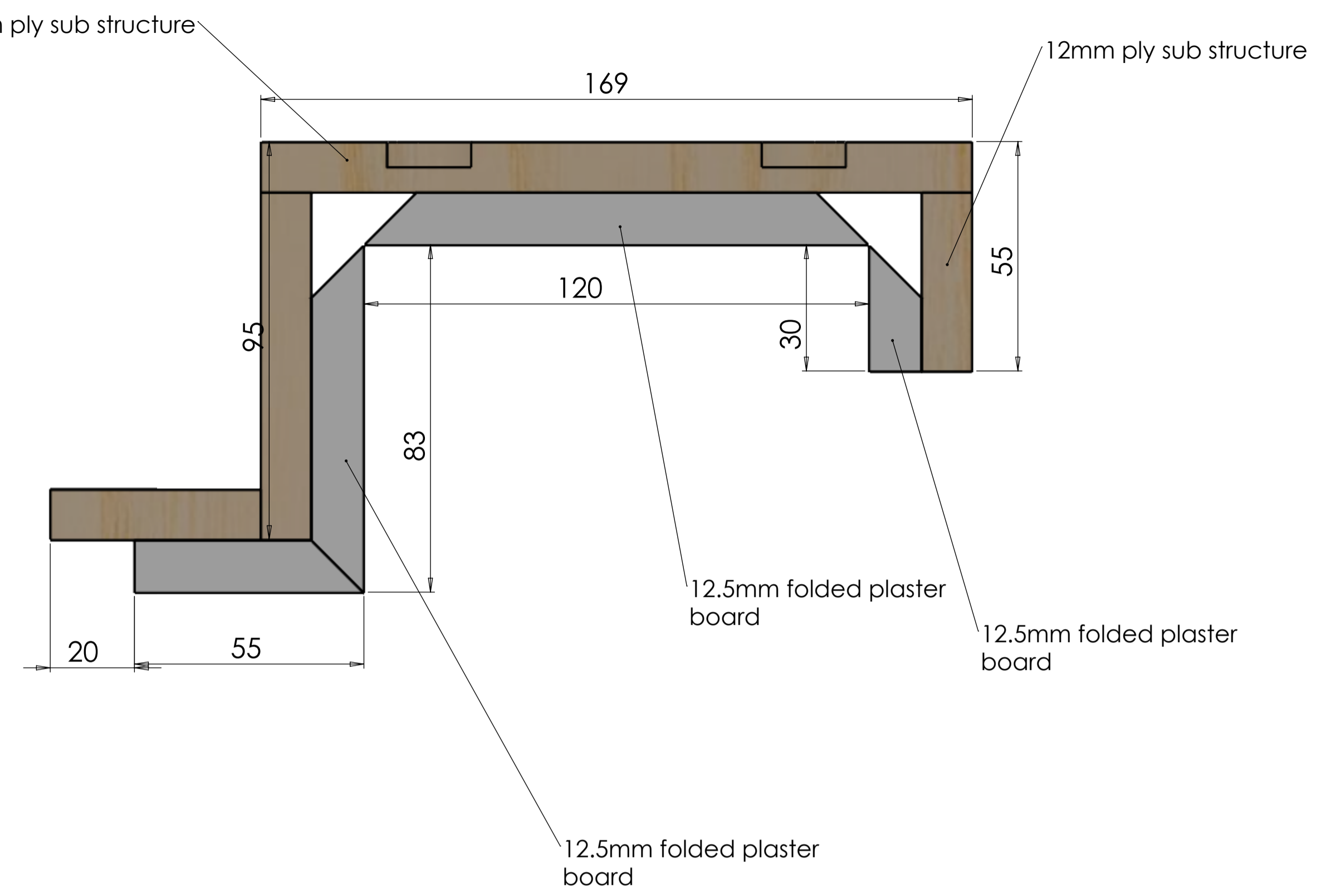


dog bone connection

dog bone connection

12mm ply sub structure

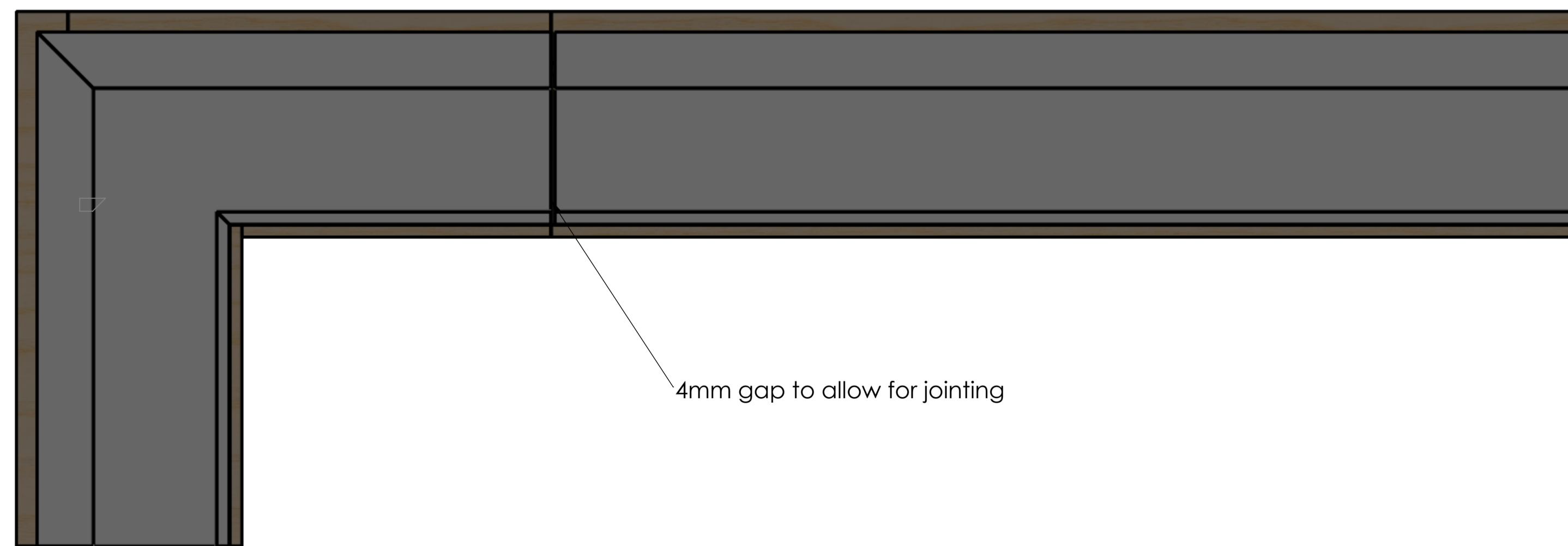
12mm ply sub structure



12.5mm folded plaster board

12.5mm folded plaster board

12.5mm folded plaster board



4mm gap to allow for jointing

Copyright:
Copyright and design is owned by
SA Solutions Ltd

Patent:
Intellectual rights are owned by
SA Solutions LTD
UK Patent No. 2429022



SA SOLUTIONS
GIVES YOU THE EDGE

**Seamless Abutments
Solutions Ltd**

Solutions House
16 Bellrope House
Samford Road
Thaxted, Essex
CM6 2FE
ENGLAND
Tel: +44 1371 832 152
Fax: +44 1371 831 983
Email: info@seamlessabutments.com

Title
**Principal Place
Typical Ceiling Details**

Original Scale	Drawn	Date
1:1 1:5 @ A1	KR	16-05-2017

Drawing Number

01-PP