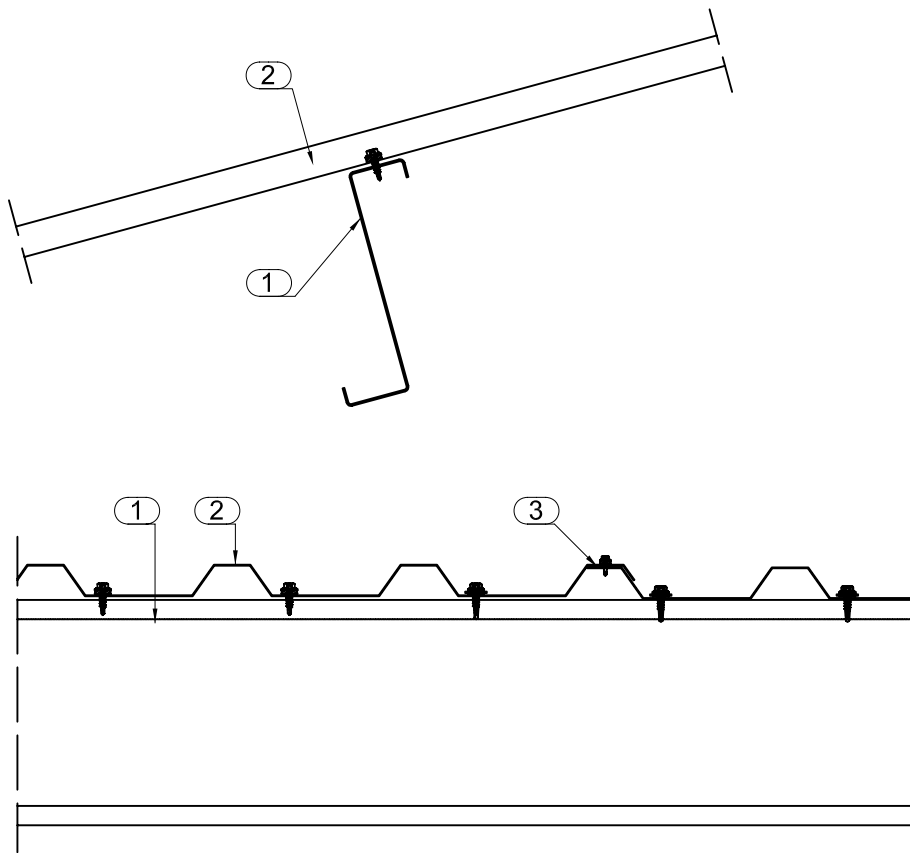




Contents of drawing

Lightweight purlins
Non-insulated wall details
Roof panel section general

Date	09.03.2005	Rev. date	15.11.2011	Work nr.		Drw. nr.	LP_IN20	Rev.	01
Drawn by	Ruukki	Rev.	.	.	.				
Scale	.	Building	.			File nr.	LP_IN20		



- 1 - Ruukki lightweight purlin
- 2 - Ruukki low profile sheet
- 3 - Tightening band

Number and type of fasteners, rivets, etc.
according to structural design.