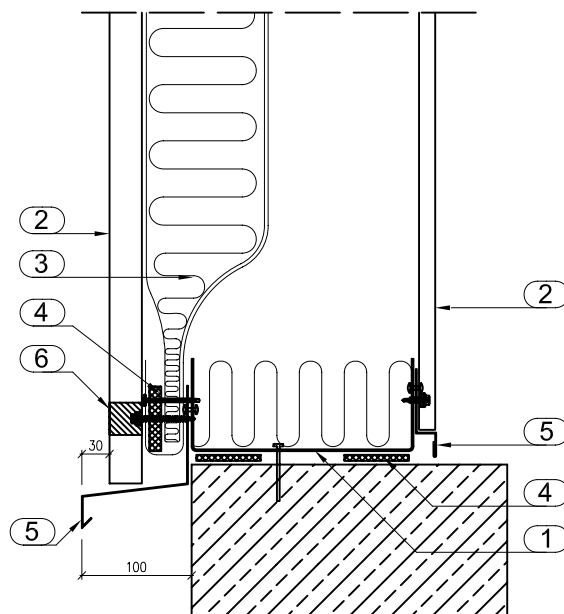




Contents of drawing

Lightweight purlins  
Insulated wall details  
Bottom section

Date 09.03.2005	Rev. date 15.11.2011	Work nr. .	Drw. nr. LP_IN05	Rev. 01
Drawn by Ruukki	Rev. .			
Scale .	Building .		File nr. LP_IN05	



- 1 - Ruukki lightweight purlin
- 2 - Ruukki low profile sheet
- 3 - Thermal insulation
- 4 - Insulation block
- 5 - Flashing
- 6 - Sealant

Number and type of fasteners, rivets, etc.  
according to structural design.