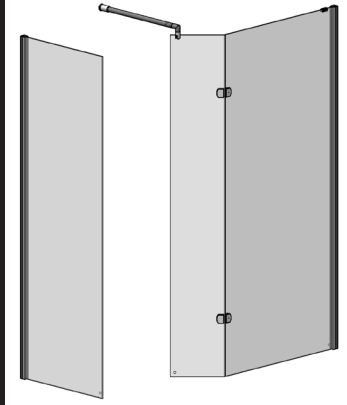


Walk-In Enclosure (with Side Panel)

Instruction Manual

SN / SNG



IMPORTANT INFORMATION

- Toughened glass is completely safe for use in our shower enclosures and bath screens; providing our products are installed according to our guidelines.
- It is important to note that the glass must not be mounted or 'pinched' in such a way that would cause a stress point to develop in the glass. In addition, it must not be subject to any sharp impact or severe temperature fluctuation which may also cause a stress point to develop in the glass.
- Toughened glass is physically and thermally significantly stronger than standard glass. During the toughening process the stresses contained within any glass are balanced so if in the unlikely event situation any of the above occurs and the glass breaks, the glass will shatter safely into small thumbnail sized blunt fragments.

PRE-INSTALLATION CHECKS

1. Check you have the correct product. Please look at the labels on the side of the product packaging.
2. Check all the product components are in the box and the fixing kits.
3. Unpack your product and handle it with care.
4. Please check the product for defects or damage, once the installation has commenced we cannot accept responsibility for any defects or damage.
5. Please take time to read these instructions prior to installing your product.
6. Before you commence any drilling check there are no hidden electrical cables and/or water pipes.
7. No attempt should be made to re-work the toughened safety glass.
8. The installation of the product should be performed by two persons.
9. It is strongly recommended that the walls the product is going to be installed on are vertical.
10. It is strongly recommended the product is fitted on a tiled surface or similar waterproof surface.
11. It is strongly recommended the walls are tiled and grouted before the product is installed.
12. If the walls and/or the tray are not level you will not achieve maximum adjustment of the product.
13. Pictures used are for illustration purposes only, product designs may alter slightly as a result of continuing product development.
14. We do not stipulate where the European Standard Kite Mark should be positioned on the glass when being factory assembled.
15. Please note that some natural misting may occur when you remove this product from its packaging, due to the addition of the glass protection pre-coating. If this does occur this can easily be removed with a soft, dry cloth.

Component Check List: Supplied

Description	Quantity	
	SN	SNG
Product Code		
Wall Profiles	1	2
Wall Profile Cover Trims	2	4
25mm Brace Bar (1000mm)	1	1
Low Level Bracing Assembly	1	1
Front Glass Panel	1	1
Angled Glass Panel	1	1
Side Glass Panel	0	1
135° Glass Brackets	2	2
Sealant	1	1

Fixing Kit Components

Description	Quantity	
	SN	SNG
Product Code		
Wall Plugs	8	14
38mm Csk Screws (RSCR1)	8	14
Top Caps (RMC0065)	1	2
M4 x 10mm Csk Screw (RSCR9)	1	2
2.5mm Allen Key	1	1
3mm Allen Key	1	1
4mm Allen Key	1	1
Roman Branding Clip (RMC0061)	1	1

Equipment Check List: Not Supplied

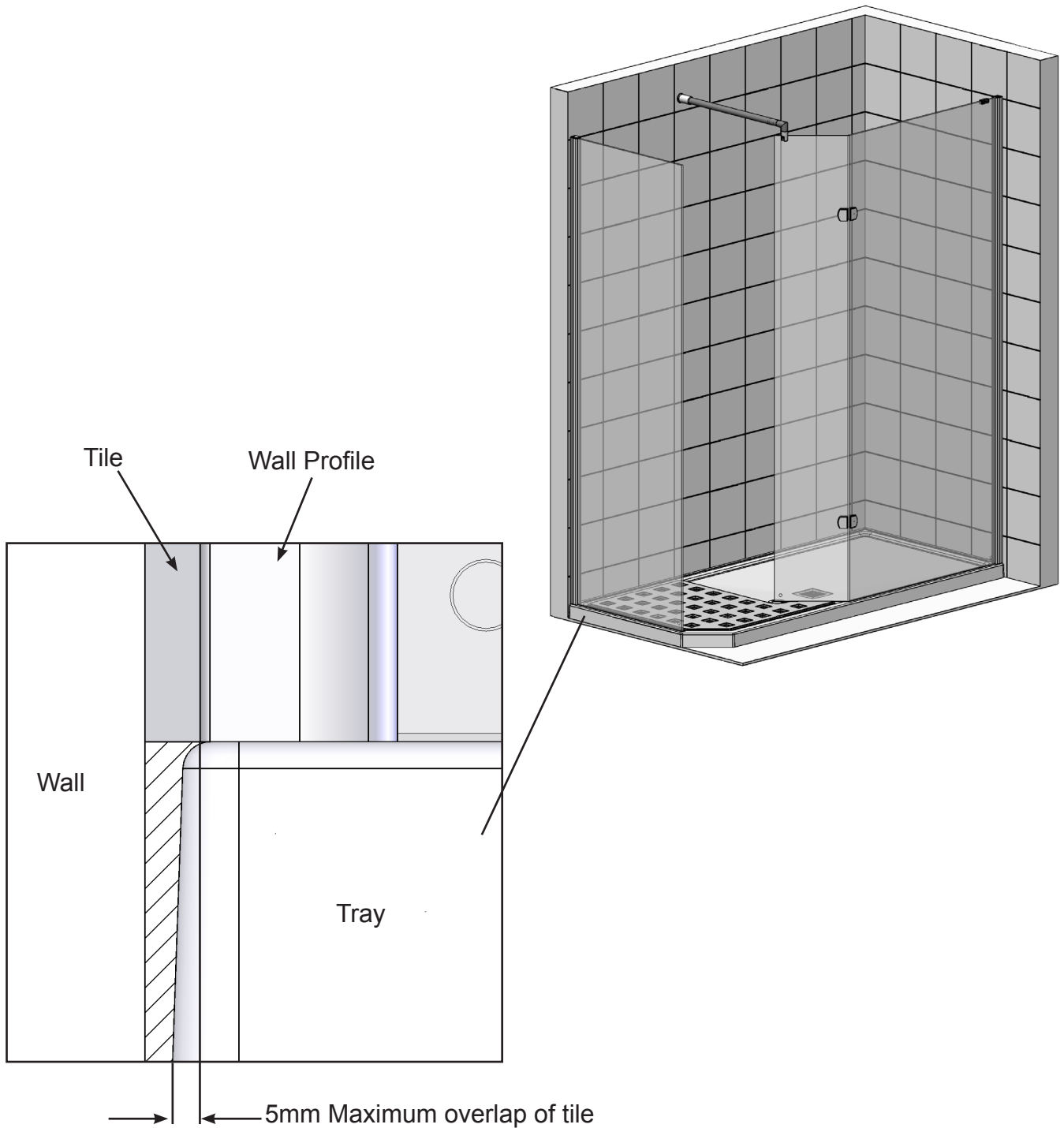
Description
Electric / Battery Drill
Pozi Screwdriver
Sealant Gun
Spirit Level (Large)
6mm Masonry Drill Bit
Tape Measure
Pencil
Hacksaw

CONSUMER GUARANTEE

Please make sure the purchaser/end user completes and returns the guarantee card which is enclosed with this product. Failure to validate the Guarantee will mean only the 1 Year Statutory Guarantee will apply.

Site Preparation for Installation

Site Requirements



Walls

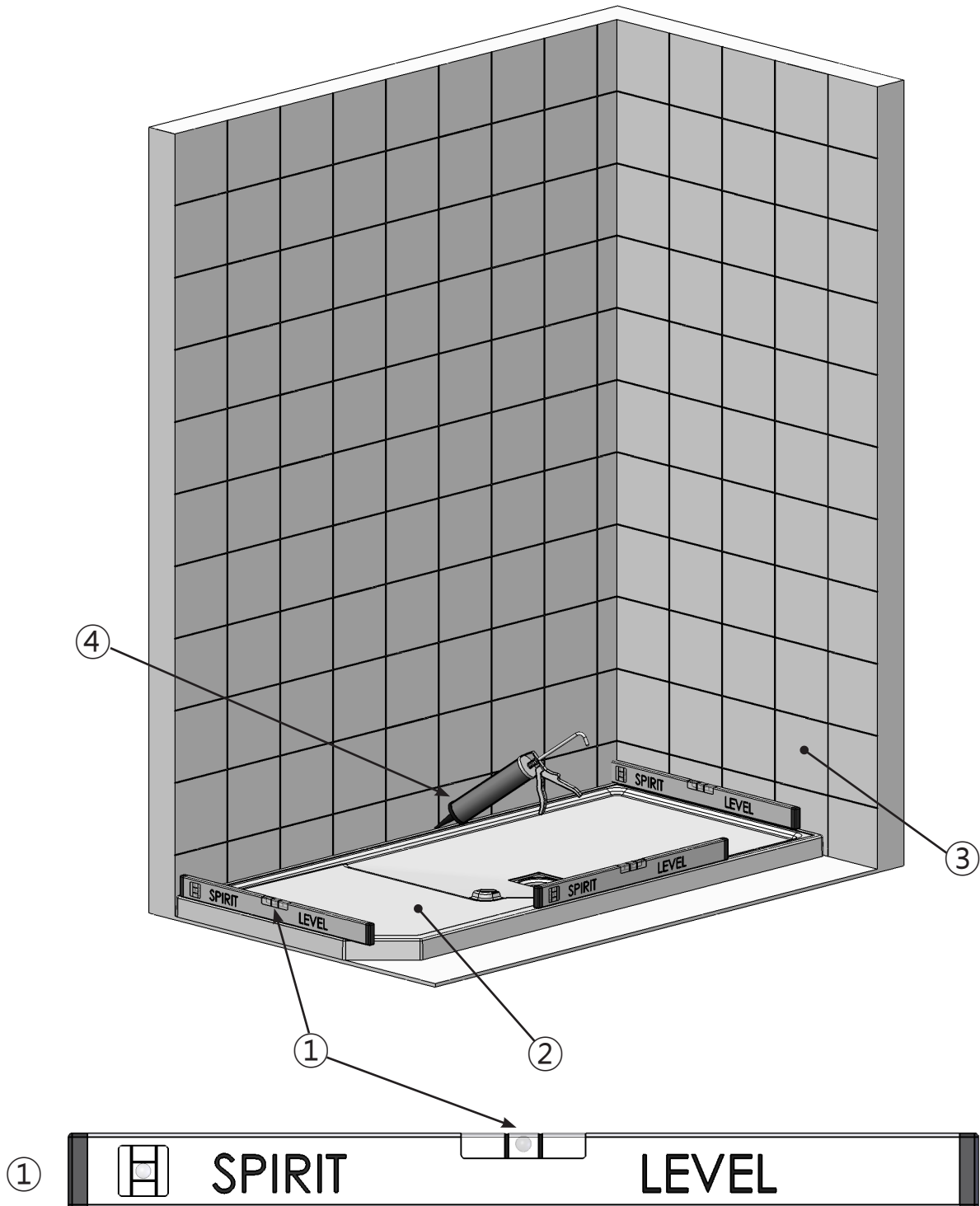
The walls that the enclosure is to be fitted to must be vertical and have no more than 5mm of deviation from top to bottom. A maximum adjustment of 5mm is provided within the enclosure to take into account of the untrue walls.

Tray

If you are fitting this product to a tray the following requirements must be met before any installation.

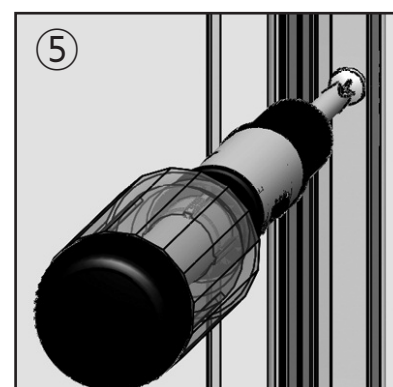
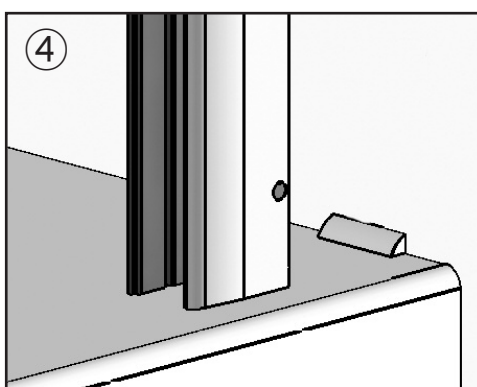
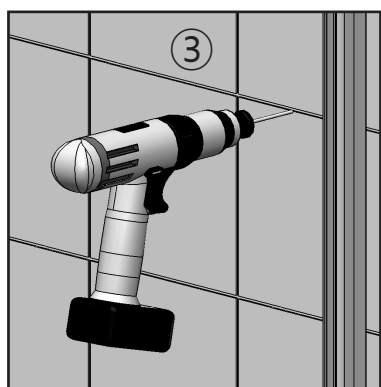
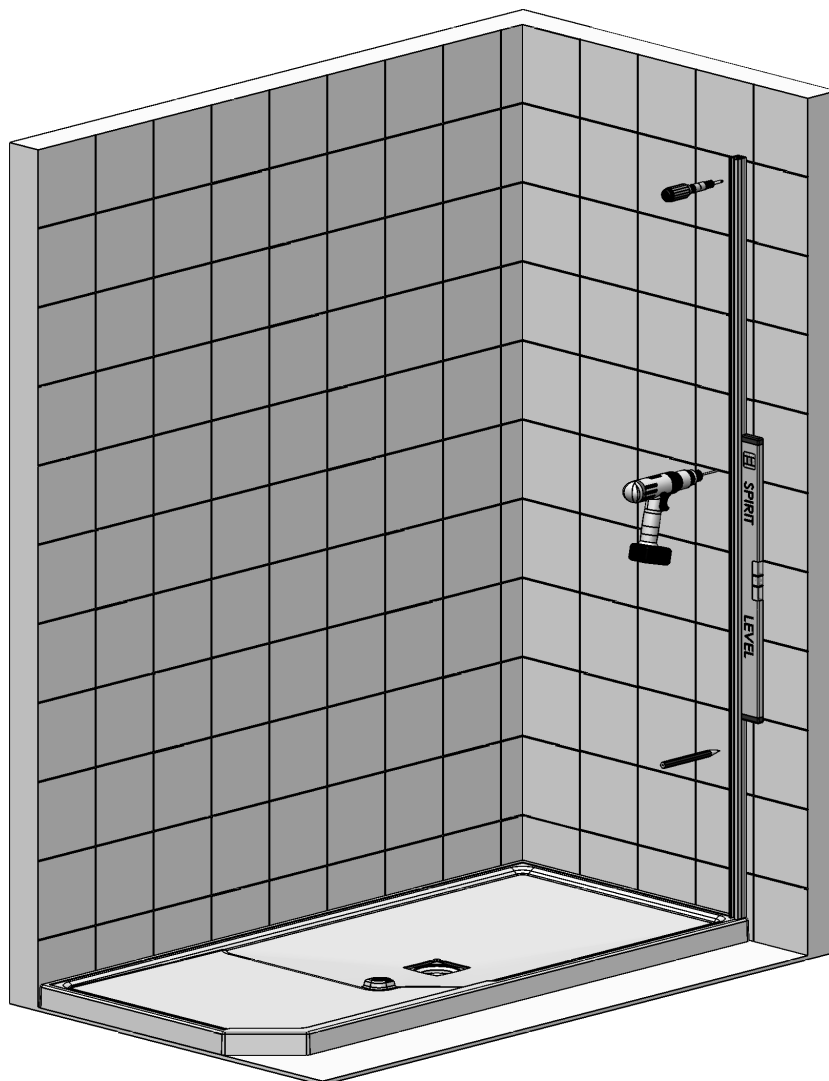
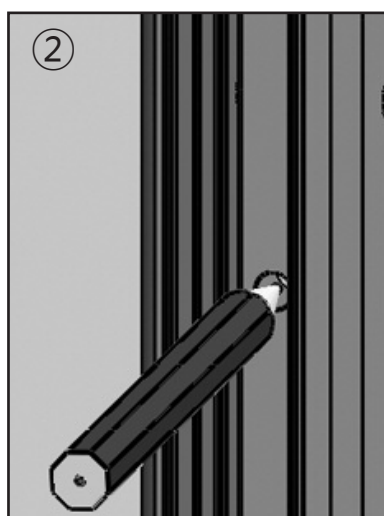
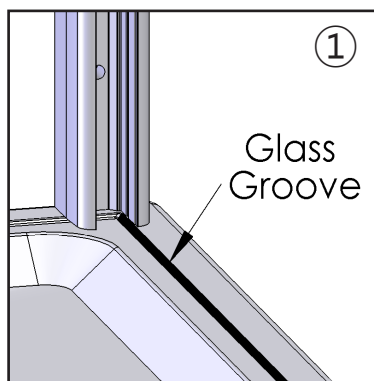
- The tray must be a Roman tray.
- The tray must be fitted according to the Roman instruction manual supplied with the tray.
- Any tiling of the walls must not overlap the tray by more than 5mm. The tray can be offset from the wall to achieve this if required.
- Any tiling and sealing around the tray and enclosure area must be completed and fully dry.

Step 1 - Checking the Tray



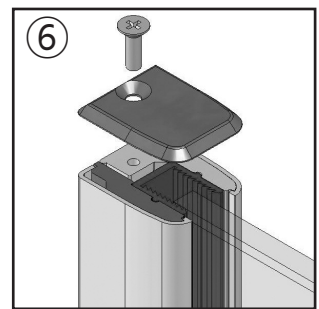
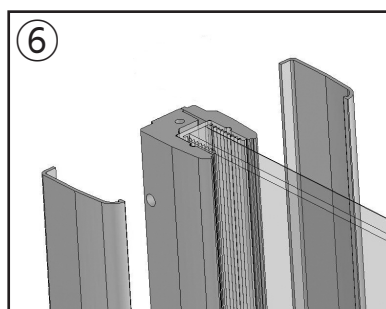
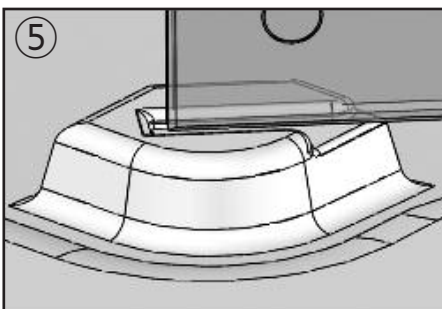
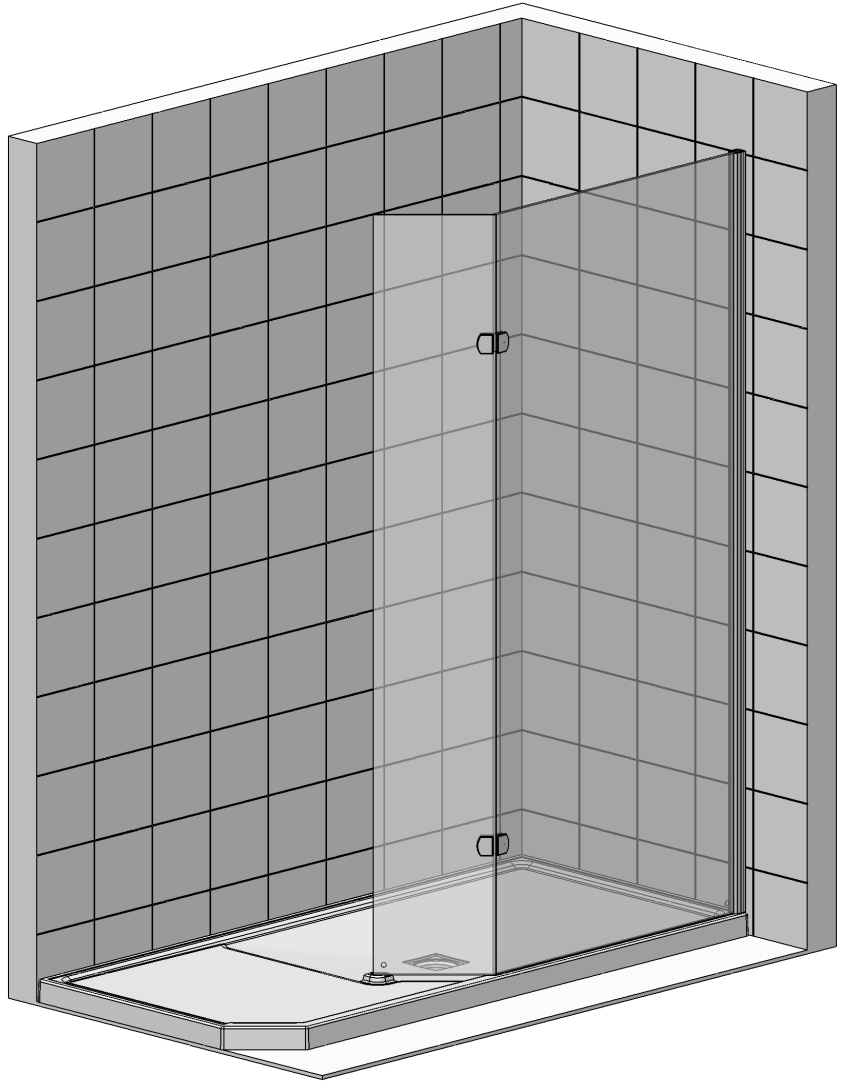
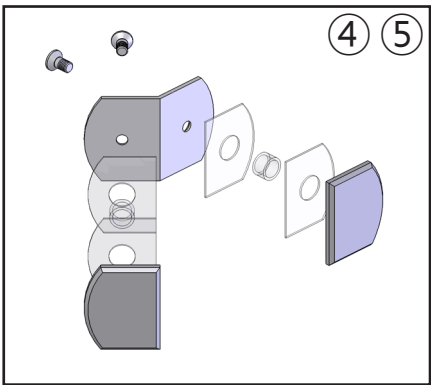
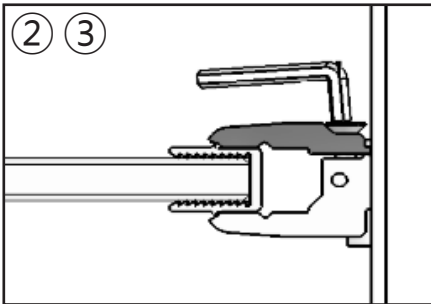
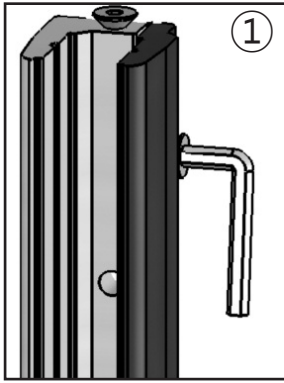
1. Check the tray is level on all sides (the bubble should be in the centre of the two lines on the Spirit Level).
 2. Stand in the tray and check there is no adverse movement.
 3. The walls should be tiled and grouted prior to installing the enclosure.
 4. The tiles and the tray should be fully sealed using a good quality bathroom sealant.
- **Spray the seal and joints with the shower head to check for leaks.**
 - **Check the plumbing for leaks.**
 - **Do not grout the tiles after the enclosure is fitted as the grout may discolour the aluminium profiles.**
 - **Make sure the tray is installed as per the manufacturers' instructions.**
 - **When all the above criteria is complete please proceed to the next step in these instructions.**

Step 2 - Fitting the Wall Profile(s)



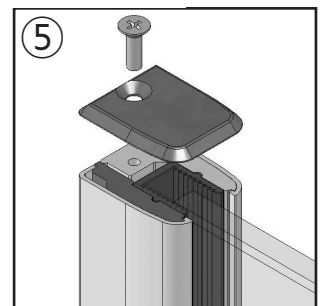
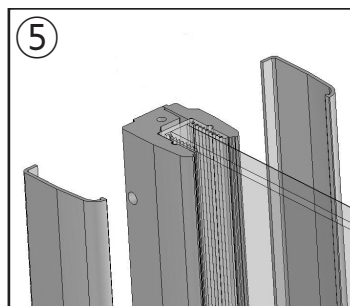
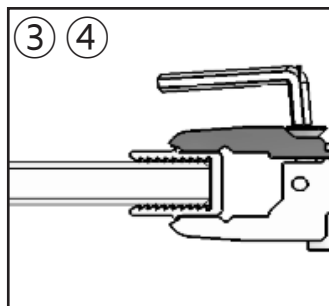
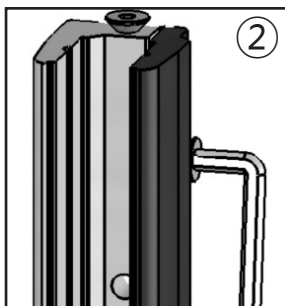
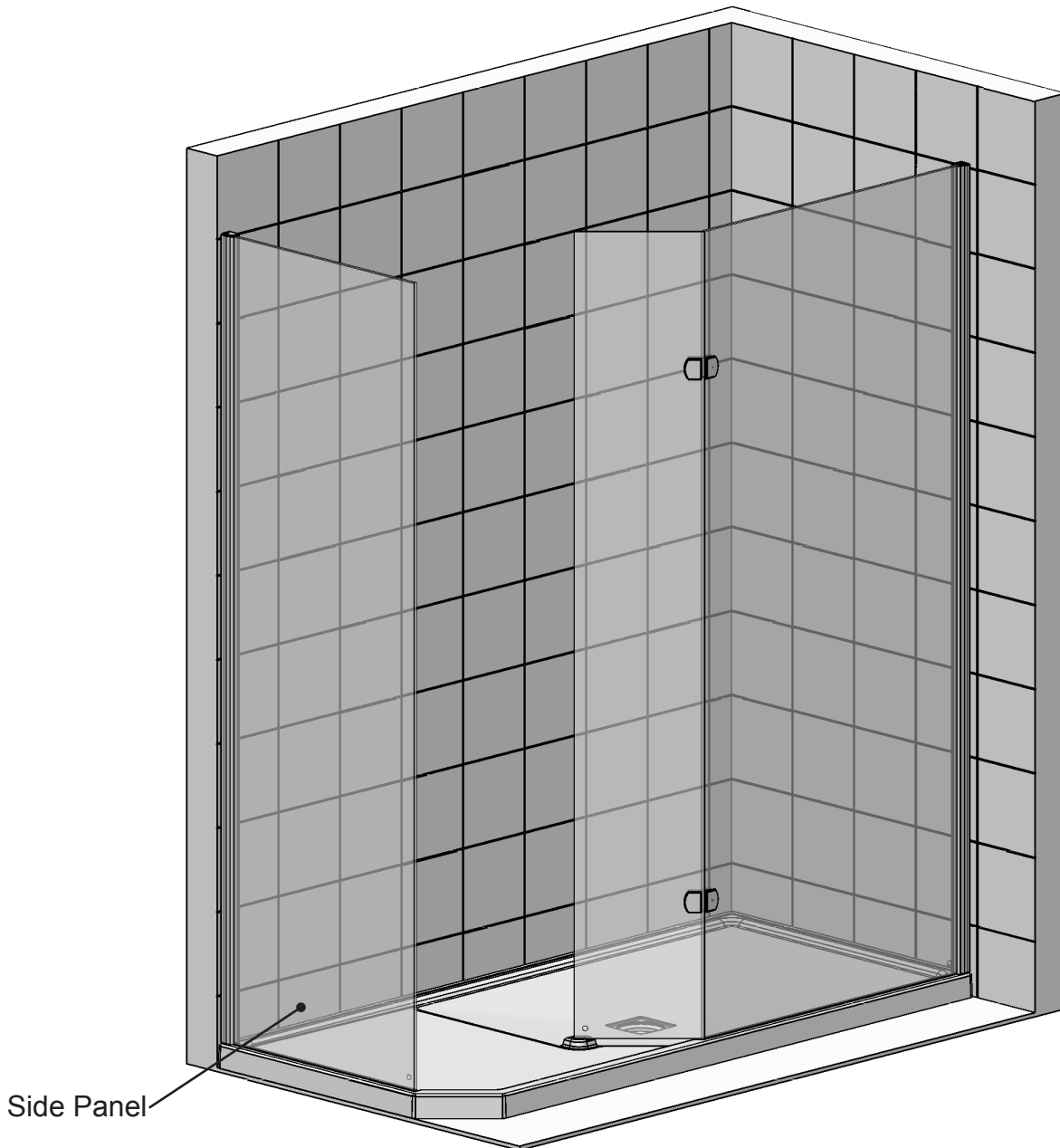
1. Place the Wall Profile assembly onto the tray and position the inside edge in line with the glass groove.
2. Make sure the Wall Profile is completely vertical using a spirit level and mark the wall through the holes for the screw holes.
3. Drill the wall using a 6mm Masonry drill bit (not supplied) and fit the wall plugs.
4. Remove any debris and place a bead of sealant between the tiled wall and the tray top where the Wall Profile assembly is to be fitted.
 - **IMPORTANT: Failure to carry out this procedure can result in serious water damage and is not covered under the terms of the guarantee.**
5. Screw fix the Wall Profile assembly using the 38mm csk screws (supplied) ensuring that it stays vertical.
 - **IMPORTANT: No sealant should be present between the wall profile and the tiled wall vertically prior to screw fixing.**

Step 3 - Fitting the Front Panel & Angled Panel



1. Using an Allen Key loosen the screws down the side of the Wall Profile assembly by approximately 3 turns.
2. Place the flexible clear seal onto the end of the Front Panel and offer it into the Wall Profile assembly.
3. With the Front Panel in position tighten the screws down the side of the Wall Profile assembly.
 - **The Front Panel must be completely vertical and horizontal prior to tightening the screws.**
4. Using an Allen Key remove the countersink screws from the 135° brackets and carefully dismantle.
5. Place the Angled Panel into the glass groove and up to the Front Panel then fit the 135° Brackets ensuring that the gaskets are placed between the glass and metal parts. Fully tighten all screws.
 - **The Angled Panel must be completely vertical and horizontal prior to tightening the screws.**
 - **Ensure the Angled Panel lines up correctly to the Front Panel as failure to do so will cause sealing problems in Step 6 (You may need to adjust both panels to achieve this).**
6. Once you are completely satisfied clip on the Wall Profile Cover Trims and screw fix the Top Cap(s) to the Wall Profile assembly(s) using the M4 x 10mm Csk screws (Supplied).
 - **The Wall Profile Cover Trims are designed to be a tight fit, please take care when fitting.**

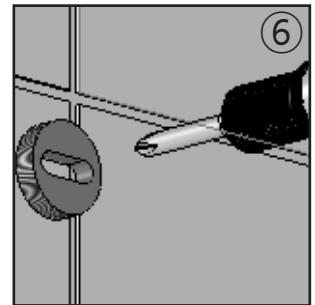
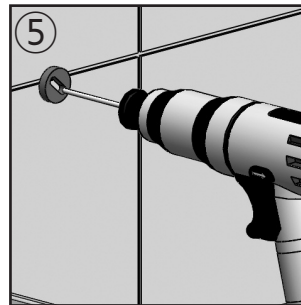
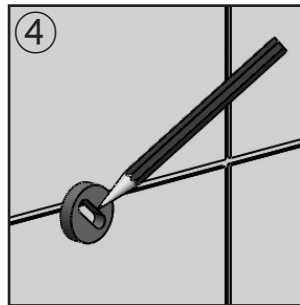
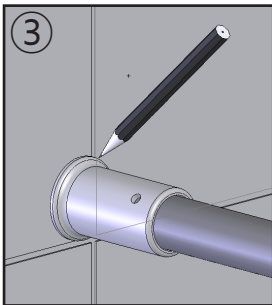
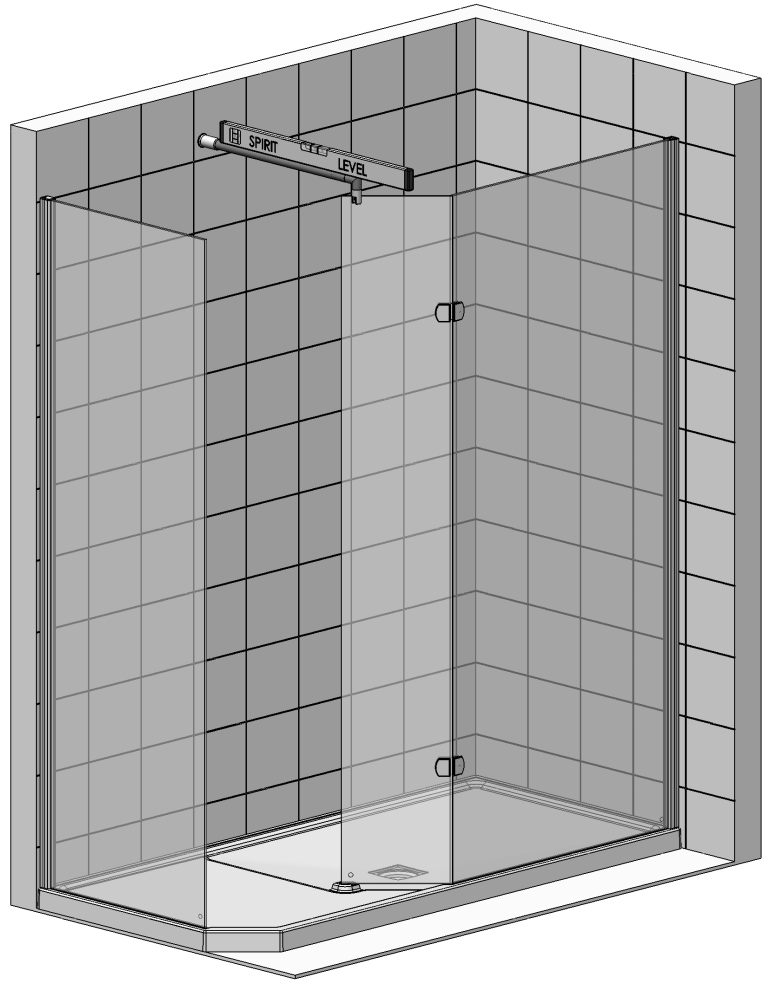
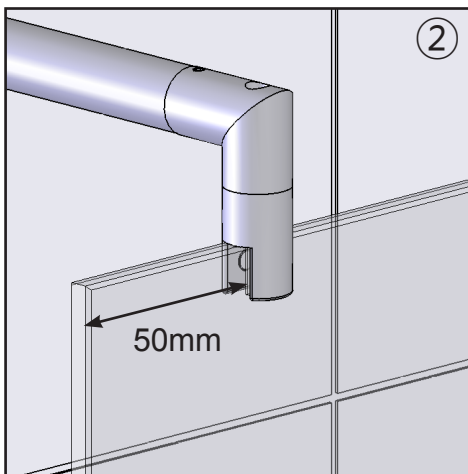
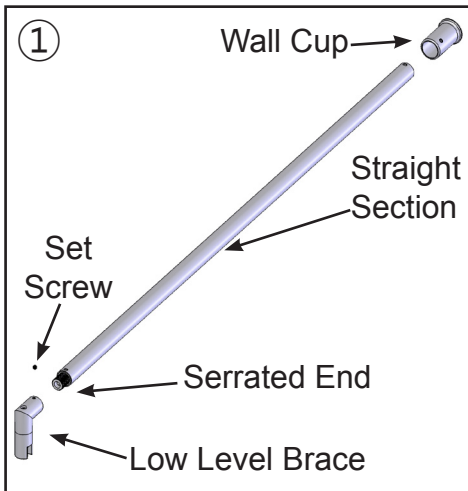
Step 4 - Fitting the Side Panel (SNG)



1. Follow all the procedures in Step 2 for fitting the Wall Profile assembly for the Side Panel.
2. Using an Allen Key loosen the screws down the side of the Wall Profile assembly by approximately 3 turns.
3. Place the flexible clear seal onto the end of the Side Panel and offer it into the Wall Profile assembly.
4. With the Side Panel in position tighten the screws down the side of the Wall Profile assembly.
 - **The Side Panel must be completely vertical and horizontal prior to tightening the screws.**
5. Once you are completely satisfied clip on the Wall Profile Cover Trims and screw fix the Top Cap to the Wall Profile assembly using the M4 x 10mm Csk screw (Supplied).
 - **The Wall Profile Cover Trims are designed to be a tight fit, please take care when fitting.**

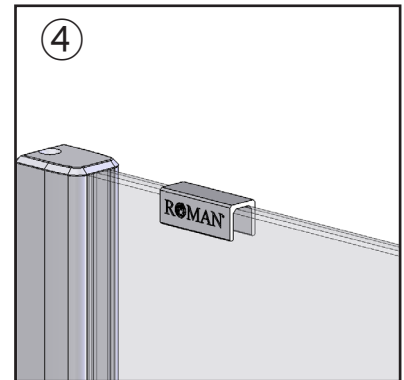
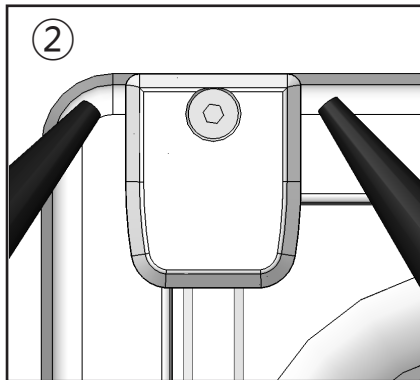
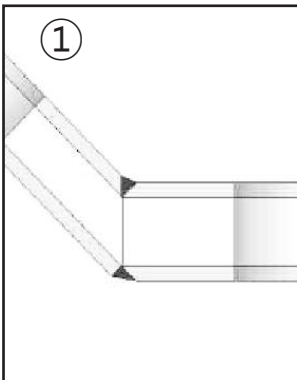
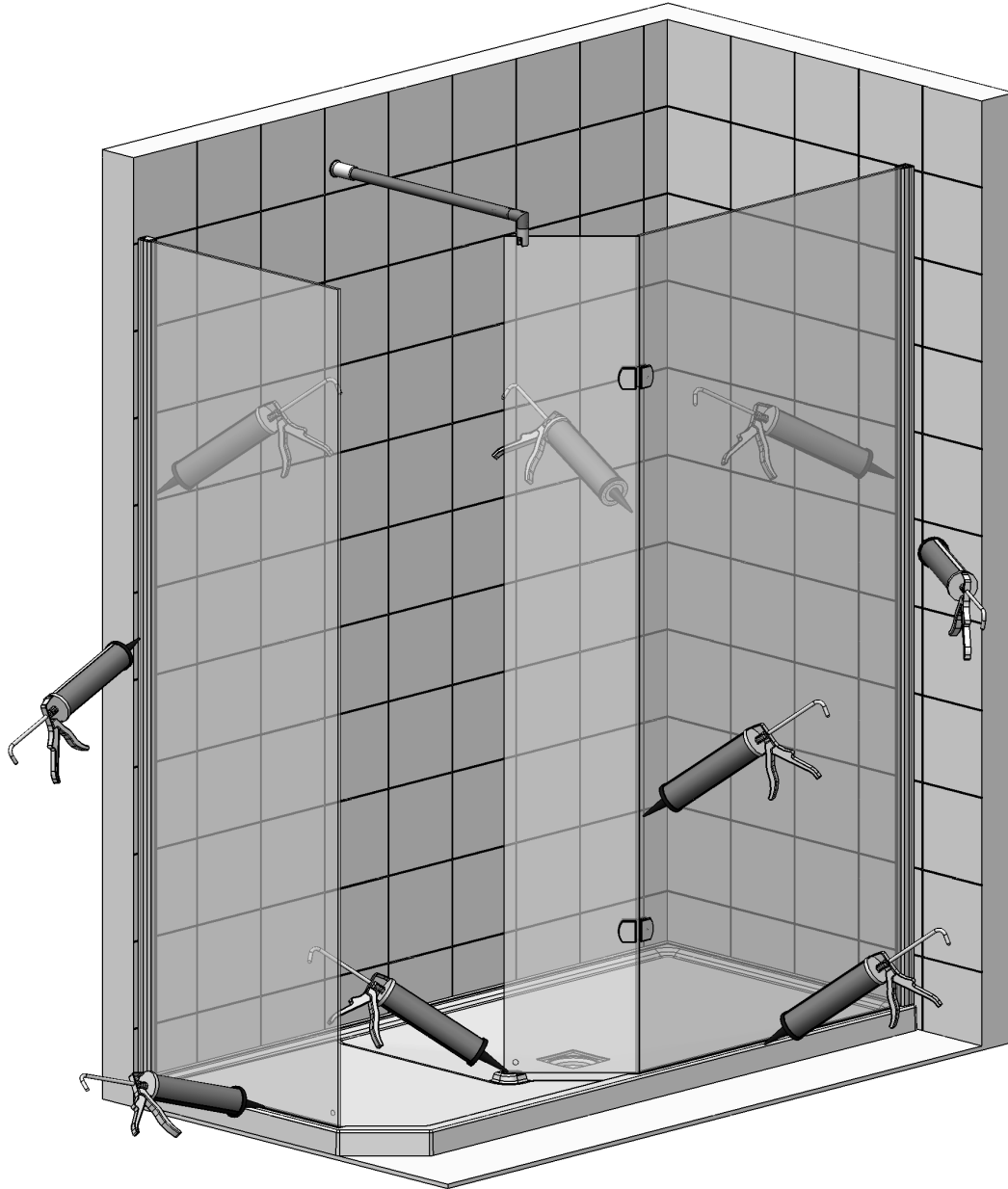
Step 5 - Brace Bar Installation

NOTE: The Straight Section of the Brace Bar assembly may need shortening, if so use a hacksaw or similar. It is IMPORTANT that it is shortened at the Wall Cup end - be sure to remove all burrs and sharp edges.



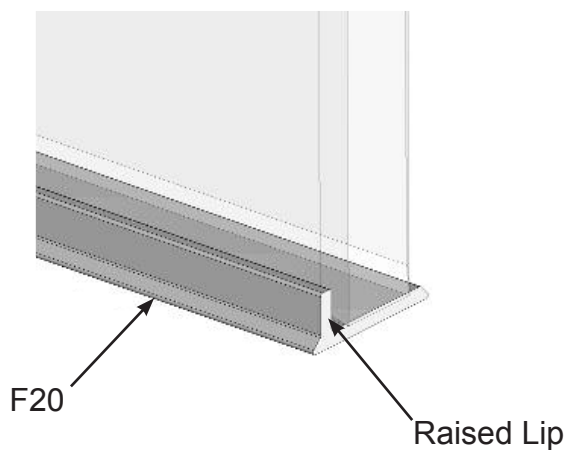
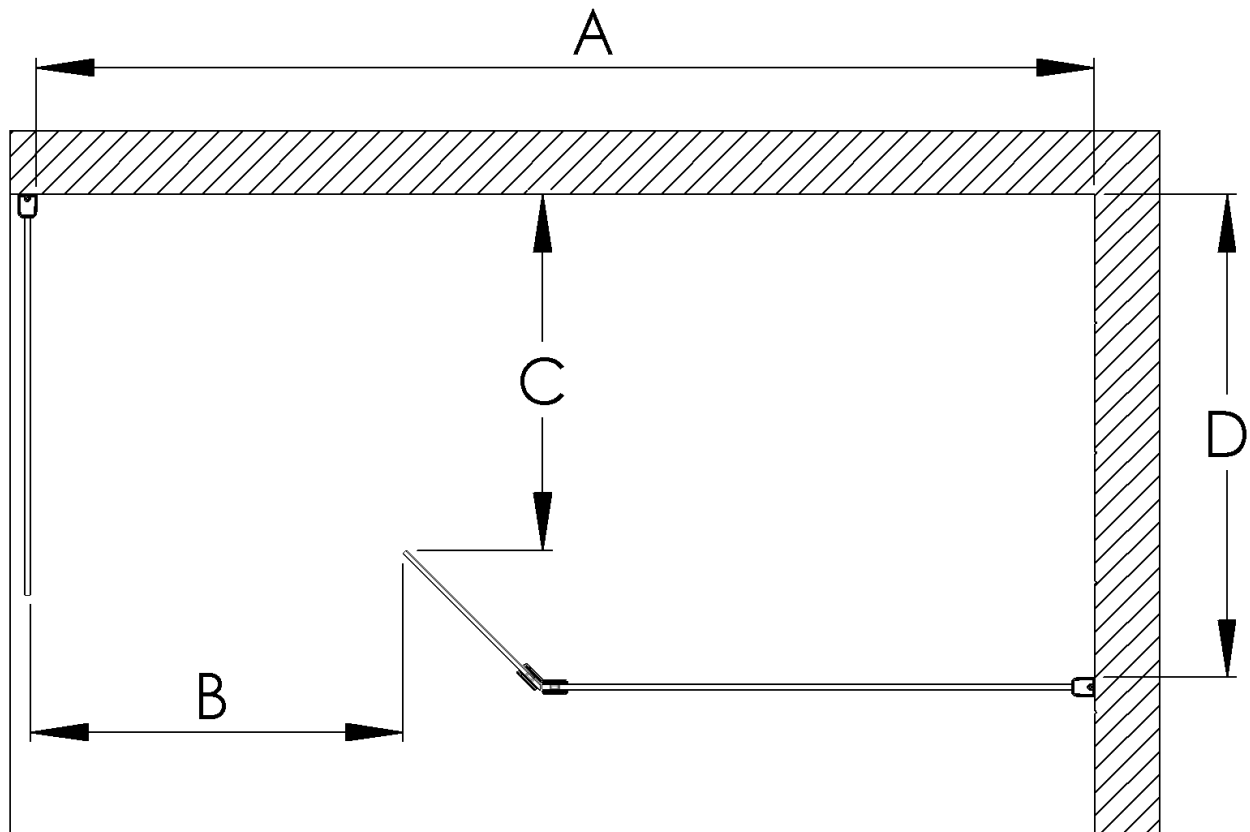
1. Place the serrated end of the straight section into the Low Level brace assembly and fasten together by tightening the Set Screw, slide the Wall Cup on the opposite end to complete the Brace Bar assembly.
2. Position the full bracing assembly onto the Angled Panel approximately 50mm in, do not fix at this stage. Loosen the Allen screw in the Low Level brace assembly so that it can be turned to achieve the correct angle.
 - There should be no metal parts touching the glass, the spacers must be used.
3. Slide the whole assembly up to the tiled wall to determine the position of the Wall Cup, mark using a pencil.
4. Unscrew the insert from the Wall Cup and position it centrally on the pencil mark. Mark through the slot for the position of the screw hole that is to be drilled.
5. Drill the hole using a 6mm Masonry Drill (not supplied) and fit the Wall Plug.
6. Fix the insert to the wall using a 40mm screw (supplied). Screw the Wall Cup onto the insert up to the wall.
7. Place the rest of the Brace Bar assembly onto the panel and into the Wall Cup, check that everything is placed correctly (including spacers being fitted) then tighten all the screws with the Allen Keys (supplied).
 - There is 35mm of adjustment in the Brace Bar assembly to allow for correct adjustment.
 - The Brace Bar must be level, use a Spirit Level and ensure the bubble is in the middle of the two lines.
 - The panel must be vertically level, use a Spirit Level and adjust the bracing to achieve this.

Step 6 - Sealing



1. Seal the joint between the Front Panel glass and the Angled Panel glass both inside and outside.
 - **Make sure the sealant applied between the glass is less than 3mm, this ensures the sealant dries clear.**
2. Seal both sides of the Wall Profiles vertically inside and outside where they meet the tiled walls.
3. Fully seal the base of the enclosure on the outside only to the tray / wetroom floor.
 - **IMPORTANT: Failure to follow stages 1 to 3 may result in serious water damage and is not covered under the terms of the guarantee.**
 - **Ensure the sealant is less than 3mm, this ensures it dries clear.**
 - **Please allow 24 hours for the sealant to fully cure before using the enclosure.**
4. Place the Roman Branding Clip in a prominent position and hold in place with a small amount of sealant.

Straight to Floor - Guidance



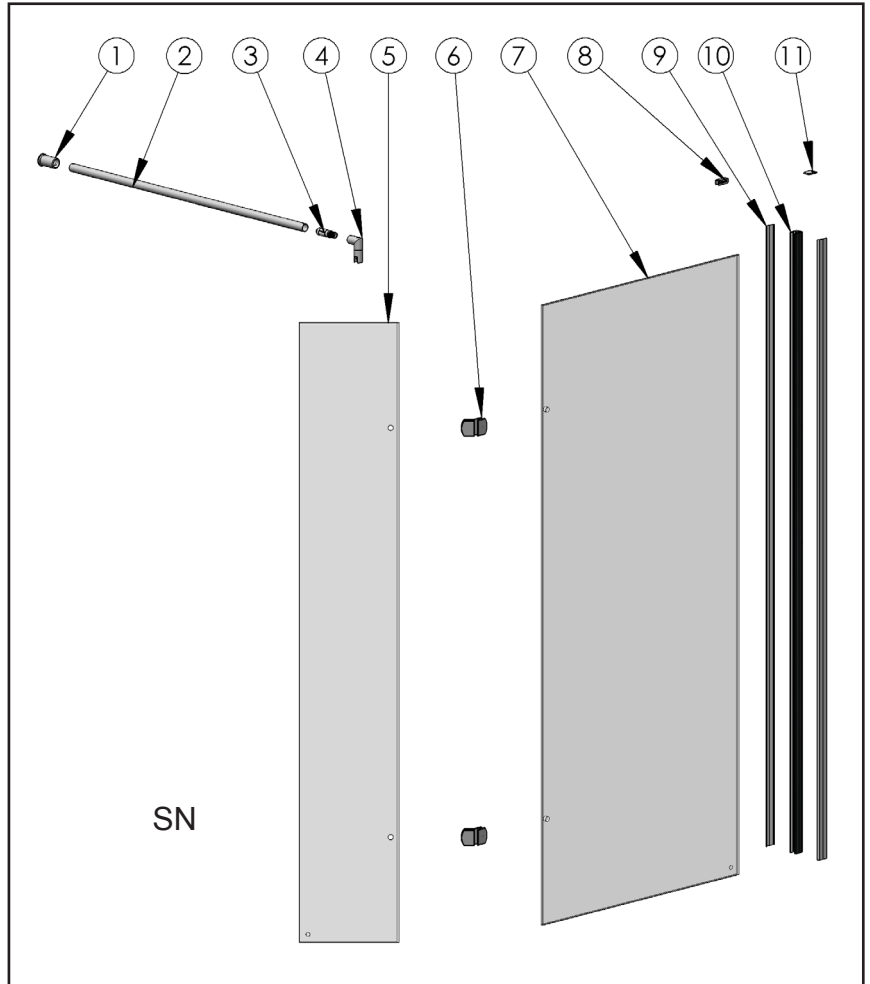
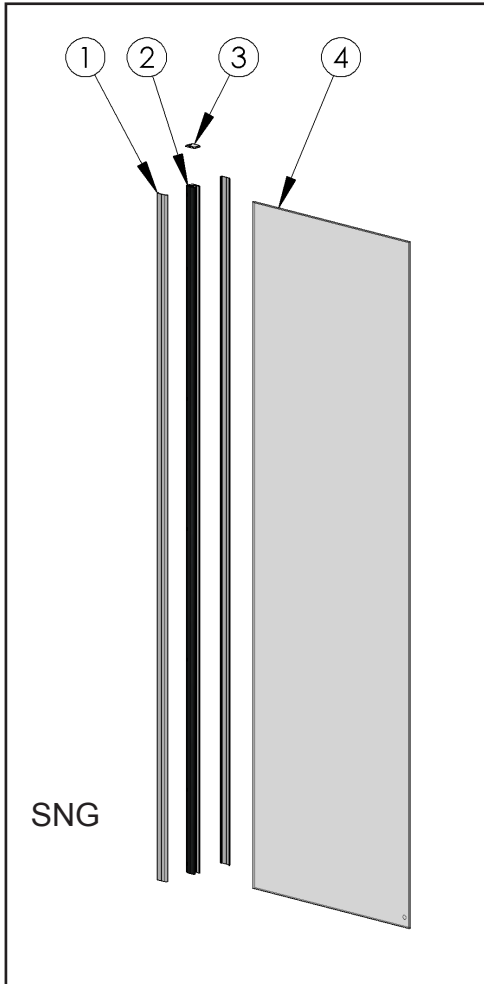
Wetroom Dimensions	
A	1660mm Minimum
B	585mm
C	558mm
D	760mm to 1200mm

Locating the Wall Profiles & fitting the Floor to Glass protector.

- Measurements A and D are used to locate the Wall Profiles and are to the inside.
- Measurements B and C are based on the Wall Profiles being fitted on the minimum adjustment.
- If fitting in conjunction with the F20 floor to glass protector please ensure the raised lip is facing towards the outside of the showering area.
- Measure the distance from the Wall Profile to the edge of the glass and cut the floor to glass protector using a hacksaw (deburr and remove all sharp edges).
- Fix the floor to glass protector with a 3mm bead of clear silicon where it is to be fitted.
- Once the silicon is dry apply another bead of silicon to the top face of the floor to glass protector and fit the Glass Panels.

Spare Parts

If you need to replace any damaged parts please see illustration below for parts list then call Customer Relations on 01325 328033/328034



NOTE: Product SNG includes the parts from SN (SN does not include the SNG parts).

SN			SN (Contd...)			SNG		
Part No.	Description	Q'ty	Part No.	Description	Q'ty	Part No.	Description	Q'ty
1	Wall Cup Assembly	1	10	Wall Profile	1	1	Wall Profile Cover Trims	2
2	Straight Brace Tube	1	11	Cover Cap	1	2	Wall Profile	1
3	Expandable Joint	1	12			3	Cover Cap	1
4	Low Level Bracing	1	13			4	10mm Side Panel Glass	1
5	8mm Angled Glass	1	14			5		
6	135° Glass Brackets	2	15			6		
7	10mm Front Panel Glass	1	16			7		
8	Roman Branding Clip	1	17			8		
9	Wall Profile Cover Trims	2	18			9		

TROUBLE SHOOTING GUIDE

Problem	Solution
Leaking	<ol style="list-style-type: none">1. Check the tray has been sealed correctly prior to installation of the enclosure.2. Check that a bead of sealant the width of the Wall Profile has been placed between the tray and the tiled wall.3. Check the base of the enclosure is sealed to the tray/wetroom floor on the outside only.4. Check to see if the Wall Profiles have been sealed vertically both inside and outside where they meet the tiled walls.5. If fitting onto a tray you must ensure that the glass panels are sitting inside the grooves on the tray (The enclosure must be fitted on its proper Sculptures tray). Failure to do so will result in the enclosure leaking. <p>Important: This enclosure should be water tested conforming to BS EN 14428</p>
Enclosure Alignment	<ol style="list-style-type: none">1. Check that the enclosure has been fitted onto a tiled surface or similar sealed surface.2. Check that the inside edge of the Wall Profile have been fitted directly in line with the groove on the tray.3. Check that the Wall Profiles have been fitted completely vertical using a spirit level (the bubble must be in the centre of the 2 lines).4. Ensure the Glass Panels are sitting inside the groove on the tray and are completely vertical.5. Ensure the enclosure is completely vertical (the bubble must be in the centre of the 2 lines).6. Check the tray is completely level, this is very important as this will have a knock on effect on the aesthetics of the product
Glass Panels	<ol style="list-style-type: none">1. Check all the Allen screws have been fully tightened.2. Check that the base of the enclosure has been sealed to the tray/wetroom floor.3. Check that the bracing has been fitted correctly and fully tightened.

Some important information to help you Maintain your product.

The following information is all you need to keep your product looking new.

Clean your product using a mild detergent diluted in water and then polished off using a soft cloth. If you live in a hard water area, periodically clean your product using a 50/50 solution of white vinegar and water. The solution should be left on the enclosure for approximately 5 minutes then rinsed off using warm water. This method of cleaning should remove lime scale residue.

Simple Maintenance

Our products are generally maintenance free, however it may be necessary to lubricate wheel assemblies and other moving parts from time to time.

It is strongly recommended that a quality silicone spray is used.

A list of Don't's:

1. Don't use acidic based products which are unsuitable for cleaning enamel surfaces.
2. Don't use abrasive cleaners or cleaners using bleach or solvents, these products will adversely affect the finish of the aluminium profiles.
3. Don't use scouring pads, powder or any sharp instruments when cleaning the enclosure.

Should you experience any problems during installation please refer to the Trouble Shooting Guide or contact Customer Relations on:

+44 (0) 1325 328033/328034

To enable customer relations to provide you with an excellent level of service it is important that you quote your product Code and Reference Number - these can be found on the Guarantee card.