



Bespoke Service

ROMAN[®]
lifetime luxury



DECEM^X
Shower Design Styled By You

DECEM^X

Shower Design Styled By You

Our Decem^X range of enclosures has been created with bespoke design flexibility at the forefront. All products from the range can be created to suit your specification, whether you are looking for an increased over-height product up to 2.7 metres, through to reduced height products. We can design your enclosure with the glass cut at an angle, or create your product with frosted glass. Contact us with your product requirements.

Features and Benefits:

- Over height available up to 2700mm
- Angled and shaped glass available
- Frosted glass available
- Hardware options of curved or straight available
- Optional Decem Bracing system available
- Made to measure items which fit almost anywhere
- All products made in accordance with your own measurements
- We endeavour to provide fast and efficient answers to all your questions
- Measure and fit service available

Simply choose which product you would like, then follow the eight easy steps:

- 1 Use this brochure to help you design, specify and price your bespoke product requirements
- 2 Complete the optional bespoke planner in the back of this brochure
- 3 Take this brochure and your drawings to your nearest retailer who will fax or email them to Roman.
For your nearest retailer contact Roman Customer Relations on 01325 328033 or visit www.roman-showers.com
- 4 Roman will then send a quotation confirmation to your retailer for them to discuss with you.
- 5 If you are happy with this quotation Roman will produce a drawing to illustrate what your final product will look like.

Note: Roman will make all drawings in accordance to your measurements and unless otherwise requested, an adjustment allowance will be included. Please specify your adjustment allowance prior to ordering.

- 6 Roman will then fax or email the drawing to your retailer who will pass this on to you.
This drawing will be in the form of a returnable agreement for you to sign*.
- 7 Once Roman receives the agreement, work will begin on your product.
- 8 You will receive your product within 5-6 weeks.

* Once this agreement is signed you will be liable for any charges should you cancel your order.

Note: If you have special requirements which cannot be shown on these drawings please supply a detailed plan drawing when submitting the application form.

www.roman-showers.com



Direct Delivery and Installation Service

To give total peace of mind, Roman also offer a comprehensive and exclusive direct delivery and installation service across the Decem^X range. The service ensures that the site is correctly measured and the Decem^X products are installed correctly the first time. Added reassurance is also presented with the two year installation guarantee and the Truelife, Lifetime guarantee on the Roman product. Please ask your retailer for further details or contact Roman Customer Relations on 01325 328033.

Glass options



Hardware options

Curved Hardware



Square Hardware



Bracing Bar's



LBBK10

Product options:

- 1 Over height available up to 2700mm*
- 2 Over width up to 2700mm*
- 3 Additional hardware for large, heavy doors
- 4 Made to measure items which fit almost anywhere
- 5 Measure and fit service available

* Hinged door heights and widths may be restricted in sizes and/or supplied with 3 hinges; this will be specified at the design stage and communicated through the drawing approval process.

Please feel free to discuss with Roman customer services at any stage of the design and specification process.



DECEM^x

Hinged Door for Corner fitting

IMPORTANT INFORMATION:

- For products over 2000mm high add £120.00 inc vat per 100mm to your total price.
- For products over max depth of product category add £60.00 inc vat per 100mm to your total price.
- Hinge door heights and widths may be restricted in sizes and/or supplied with 3 hinges; this will be specified at the design stage and communicated through the drawing approval process.
- Please feel free to discuss with Roman customer services at any stage of the design and specification process.

How to specify and order your bespoke product

- Step 1: Measure your corner
- Step 2: Decide which of the bespoke options you prefer or best suits your corner
- Step 3: Make your ordering choice from the options on the following page
- Step 4: Complete the bespoke ordering form at the back of this brochure

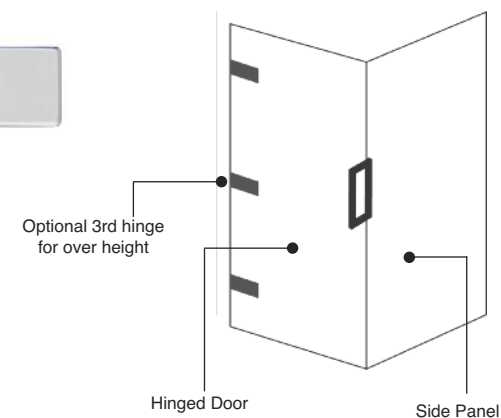
Bespoke options

- Full bespoke: Door and side panel
- Part bespoke: Standard door with bespoke side panel
- Part bespoke: Bespoke door with standard side panel
- Full bespoke: Over height (up to 2700mm) and over width (max door width 1000mm/max panel width 1750mm)
- Clear Glass
- Frosted Glass
- Shaped Glass
- Frosted and Shaped Glass

Curved Hardware A



Square Hardware B



For products over 2000mm high add £120.00 inc vat per 100mm to your total price

For products over max depth of product category add £60.00 inc vat to your total price

STANDARD PRODUCT RRP'S							BESPOKE PRODUCT RRP'S									
Standard stock reference	Description	Hardware	Size (mm)	Adjustment (mm)	Ex vat £	Inc vat £	Bespoke stock reference	Bespoke size reference (mm)	CLEAR GLASS		ANGLED/SHAPED GLASS		FROSTED GLASS		SHAPED & FROSTED GLASS	
									New list Ex vat £	New list Inc vat £	New list Ex vat £	New list Inc vat £	New list Ex vat £	New list Inc vat £	New list Ex vat £	New list Inc vat £
DXL76CA	Hinged door for corner	Curved	760	735-750	£512.50	£615.00	SPDXL76CA	0-760	£1,025.00	£1,230.00	£1,135.83	£1,363.00	£1,224.17	£1,469.00	£1,335.00	£1,602.00
DXL8CA	Hinged door for corner	Curved	800	775-790	£520.83	£625.00	SPDXL8CA	760-800	£1,041.67	£1,250.00	£1,155.00	£1,386.00	£1,244.17	£1,493.00	£1,356.67	£1,628.00
DXL9CA	Hinged door for corner	Curved	900	875-890	£529.17	£635.00	SPDXL9CA	800-900	£1,058.33	£1,270.00	£1,173.33	£1,408.00	£1,264.17	£1,517.00	£1,378.33	£1,654.00
DXL10CA	Hinged door for corner	Curved	1000	975-990	£537.50	£645.00	SPDXL10CA	900-1000	£1,075.00	£1,290.00	£1,191.67	£1,430.00	£1,284.17	£1,541.00	£1,400.00	£1,680.00
DXL76CB	Hinged door for corner	Square	760	735-750	£512.50	£615.00	SPDXL76CB	0-760	£1,025.00	£1,230.00	£1,135.83	£1,363.00	£1,224.17	£1,469.00	£1,335.00	£1,602.00
DXL8CB	Hinged door for corner	Square	800	775-790	£520.83	£625.00	SPDXL8CB	760-800	£1,041.67	£1,250.00	£1,155.00	£1,386.00	£1,244.17	£1,493.00	£1,356.67	£1,628.00
DXL9CB	Hinged door for corner	Square	900	875-890	£529.17	£635.00	SPDXL9CB	800-900	£1,058.33	£1,270.00	£1,173.33	£1,408.00	£1,264.17	£1,517.00	£1,378.33	£1,654.00
DXL10CB	Hinged door for corner	Square	1000	975-990	£537.50	£645.00	SPDXL10CB	900-1000	£1,075.00	£1,290.00	£1,191.67	£1,430.00	£1,284.17	£1,541.00	£1,400.00	£1,680.00
DXR76	Side Panel 760	-	760	735-750	£512.50	£615.00	SPDXR76	0-760	£717.50	£861.00	£836.67	£1,004.00	£930.83	£1,117.00	£1,050.00	£1,260.00
DXR8	Side Panel 800	-	800	775-790	£520.83	£625.00	SPDXR8	760-800	£729.17	£875.00	£850.00	£1,020.00	£945.83	£1,135.00	£1,067.50	£1,281.00
DXR9	Side Panel 900	-	900	875-890	£529.17	£635.00	SPDXR9	800-900	£740.83	£889.00	£864.17	£1,037.00	£961.67	£1,154.00	£1,084.17	£1,301.00
DXR10	Side Panel 1000	-	1000	975-990	£537.50	£645.00	SPDXR10	900-1000	£752.50	£903.00	£877.50	£1,053.00	£976.67	£1,172.00	£1,101.67	£1,322.00

Please specify product height required when ordering (up to 2700mm)

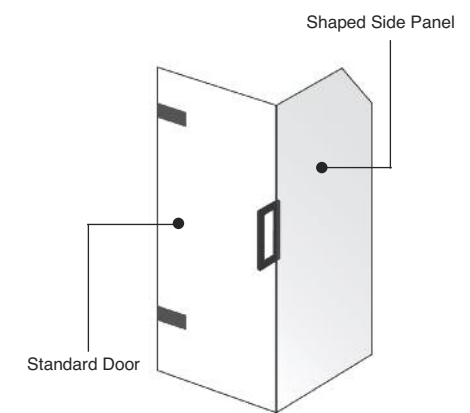
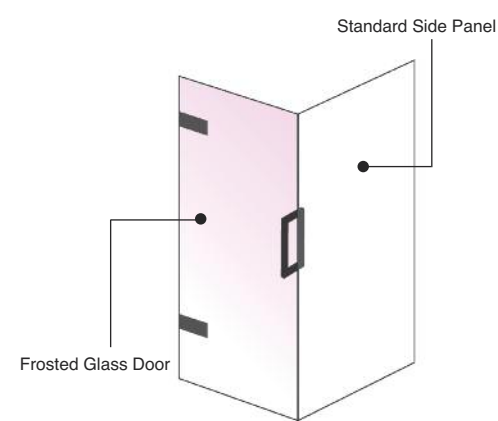
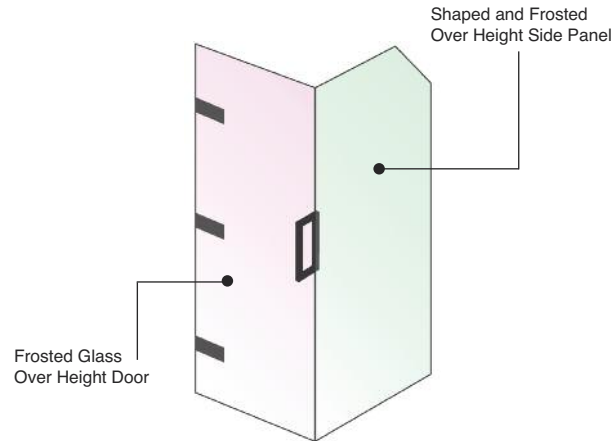
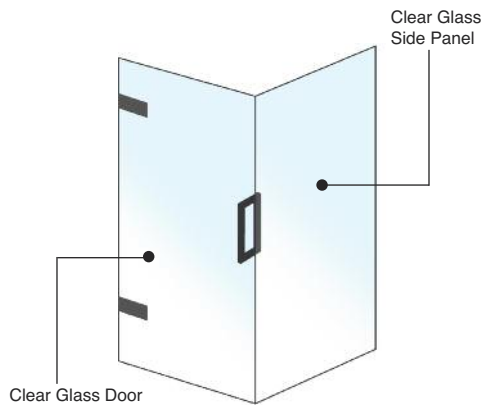
A selection of special examples:

1 Full Bespoke
Door and Side panel

2 Full Bespoke
Over height (up to 2700mm) and over depth door
(max 1000mm and side panel max 1750mm)

3 Part Bespoke
Bespoke Door with Standard Side Panel

4 Part Bespoke
Standard Door with Bespoke Side Panel



Sizes/Code/Price for examples above:

Description	Enclosure Size	Stock reference	Glass finish	Total Cost
1 Full bespoke - door and side panel	2000 x 950 x 950mm	SPDXL10CA + SPDXR10	Clear Glass	£2193.00 Inc vat
2 Full bespoke - door and side panel	2100 x 1000 x 1100mm	SPDXL10CA + SPDXR10	Frosted / Frosted Angled Glass	£3,043.00 Inc Vat (*Inc £180.00 for extra 100mm height on door and extra 100mm height and width on side panel)
3 Part bespoke - bespoke door with standard side panel	2000 x 950 x 900mm	SPDXL10CA + DXR9	Frosted Glass / Clear Glass	£2,176.00 Inc vat
4 Part bespoke - standard door with bespoke side panel	2000 x 900 x 950mm	DXL9CA + SPDXR10	Clear Glass / Clear Angled Glass	£1,688.00 Inc vat

Please ring Roman Customer Sales on 01325 328034 if you require advice on any of the above information

DECEM^x

Hinged Door

for Alcove fitting



IMPORTANT INFORMATION:

- For products over 2000mm high add £60.00 inc vat per 100mm to your total price.
- Hinge door heights and widths may be restricted in sizes and/or supplied with 3 hinges; this will be specified at the design stage and communicated through the drawing approval process.
- Please feel free to discuss with Roman customer services at any stage of the design and specification process.

How to specify and order your bespoke product

- Step 1: Measure your alcove
- Step 2: Decide which of the bespoke options you prefer or best suits your alcove
- Step 3: Make your ordering choice from the options on the following page
- Step 4: Complete the bespoke ordering form at the back of this brochure

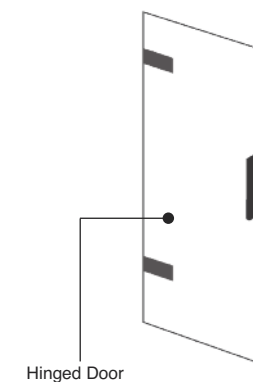
Bespoke options

- Bespoke: Height and Width (max width 1000mm)
- Bespoke: Angled/Shaped
- Bespoke: Over Height (up to 2700mm) Angled/shaped
- Clear Glass
- Frosted Glass
- Shaped Glass
- Frosted and Shaped Glass

Curved Hardware A



Square Hardware B



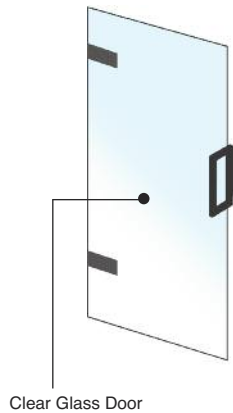
For products over 2000mm high add £60.00 inc vat per 100mm to your total price

STANDARD PRODUCT RRP'S							BESPOKE PRODUCT RRP'S									
Standard stock reference	Description	Hardware	Size (mm)	Adjustment (mm)	Ex vat £	Inc vat £	Bespoke stock reference	Bespoke size reference (mm)	CLEAR GLASS		ANGLED/SHAPED GLASS		FROSTED GLASS		SHAPED & FROSTED GLASS	
									New list Ex vat £	New list Inc vat £	New list Ex vat £	New list Inc vat £	New list Ex vat £	New list Inc vat £	New list Ex vat £	New list Inc vat £
DXL76A	Hinged door for alcove	Curved	760	720-750	£816.67	£980.00	SPDXL76A	0-760	£1,143.33	£1,372.00	£1,256.67	£1,508.00	£1,345.83	£1,615.00	£1,459.17	£1,751.00
DXL8A	Hinged door for alcove	Curved	800	760-790	£825.00	£990.00	SPDXL8A	760-800	£1,155.00	£1,386.00	£1,269.17	£1,523.00	£1,360.00	£1,632.00	£1,474.17	£1,769.00
DXL9A	Hinged door for alcove	Curved	900	860-890	£833.33	£1,000.00	SPDXL9A	800-900	£1,166.67	£1,400.00	£1,282.50	£1,539.00	£1,373.33	£1,648.00	£1,489.17	£1,787.00
DXL10A	Hinged door for alcove	Curved	1000	960-990	£841.67	£1,010.00	SPDXL10A	900-1000	£1,178.33	£1,414.00	£1,295.00	£1,554.00	£1,387.50	£1,665.00	£1,504.17	£1,805.00
DXL76B	Hinged door for alcove	Straight	760	720-750	£816.67	£980.00	SPDXL76B	0-760	£1,143.33	£1,372.00	£1,256.67	£1,508.00	£1,345.83	£1,615.00	£1,459.17	£1,751.00
DXL8B	Hinged door for alcove	Straight	800	760-790	£825.00	£990.00	SPDXL8B	760-800	£1,155.00	£1,386.00	£1,269.17	£1,523.00	£1,360.00	£1,632.00	£1,474.17	£1,769.00
DXL9B	Hinged door for alcove	Straight	900	860-890	£833.33	£1,000.00	SPDXL9B	800-900	£1,166.67	£1,400.00	£1,282.50	£1,539.00	£1,373.33	£1,648.00	£1,489.17	£1,787.00
DXL10B	Hinged door for alcove	Straight	1000	960-990	£841.67	£1,010.00	SPDXL10B	900-1000	£1,178.33	£1,414.00	£1,295.00	£1,554.00	£1,387.50	£1,665.00	£1,504.17	£1,805.00

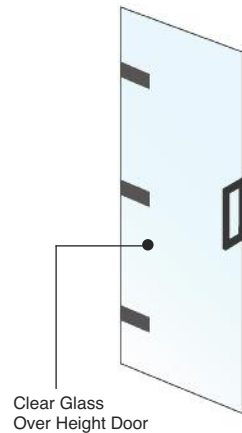
Please specify product height required when ordering (up to 2700mm)

A selection of special examples:

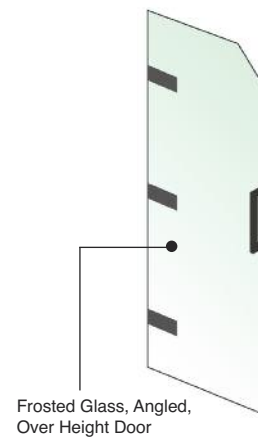
1 Full Bespoke Width



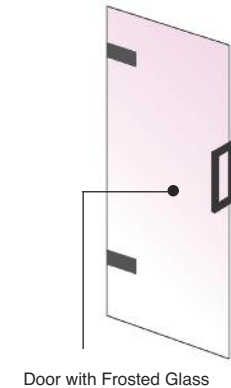
2 Full Bespoke Over Height (up to 2700mm)



3 Full Bespoke Overheight Angled/Shaped



4 Full Bespoke Standard size Door with frosted glass



Sizes/Code/Price for examples above:

Description	Enclosure Size	Stock reference	Glass finish	Total Cost
1 Bespoke width	2000 x 975mm	SPDXL10B	Clear Glass	£1,414.00 Inc vat
2 Bespoke height	2200 x 1000mm	SPDXL10B	Clear Glass	£1,534.00 Inc vat (*Inc £120.00 extra)
3 Shaped corner and bespoke height	2200 x 1000mm	SPDXL10B	Frosted Angled Glass	£1,925.00 Inc vat (*Inc £120.00 extra)
4 Standard size with frosted glass	2000 x 1000mm	SPDXL10B	Frosted Glass	£1,665.00 Inc vat

Please ring Roman Customer Sales on 01325 328034 if you require advice on any of the above information



DECEM^x Hinged Door with One Inline Panel for Corner fitting

IMPORTANT INFORMATION:

- For products over 2000mm high add £120.00 inc vat per 100mm to your total price.
- For products over max width of product category add £60.00 inc vat per 100mm to your total price.
- For products over max depth of product category add £60.00 inc vat to your total price.
- Hinge door heights and widths may be restricted in sizes and/or supplied with 3 hinges; this will be specified at the design stage and communicated through the drawing approval process.
- Please feel free to discuss with Roman customer services at any stage of the design and specification process.

How to specify and order your bespoke product

- Step 1:** Measure your corner
- Step 2:** Decide which of the bespoke options you prefer or best suits your corner
- Step 3:** Make your ordering choice from the options on the following page
- Step 4:** Complete the bespoke ordering form at the back of this brochure

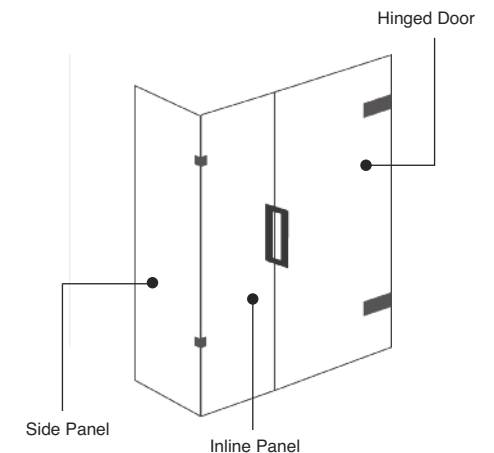
Bespoke options

- **Full bespoke:** Door, inline and side panel
- **Part bespoke:** Standard door with bespoke inline and standard side panel
- **Part bespoke:** Bespoke door, bespoke inline and standard side panel
- **Part bespoke:** Standard door, standard inline and bespoke side panel
- **Full bespoke:** Over height (up to 2700 mm), over width (up to 2700mm) over depth (up to 1750mm)
- **Clear Glass**
- **Frosted Glass**
- **Shaped Glass**
- **Frosted and Shaped Glass**

Curved Hardware A



Square Hardware B



For products over 2000mm high add £120.00 inc vat per 100mm to your total price

For products over max width of product category add £60.00 inc vat per 100mm to your total price

For products over max depth of product category add £60.00 inc vat per 100mm to your total price

STANDARD PRODUCT RRP'S						
Standard stock reference	Description	Hardware	Size (mm)	Adjustment (mm)	Ex vat £	Inc vat £
DXL1HDRA	Hinged door for inline panel	Curved	630	n/a	£444.44	£533.33
DXL1HDRB	Hinged door for inline panel	Square	630	n/a	£444.44	£533.33
DXL1HR10	Inline panel for side panel	-	1000	975-990	£319.45	£383.34
DXL1HR12	Inline panel for side panel	-	1200	1175-1190	£444.45	£533.34
DXL1HR14	Inline panel for side panel	-	1400	1375-1390	£486.12	£583.34
DXL1HR16	Inline panel for side panel	-	1600	1575-1590	£611.12	£733.34
DXHR8	Side panel for inline panel	-	800	775-790	£444.44	£533.33
DXHR9	Side panel for inline panel	-	900	875-890	£486.11	£583.33

BESPOKE PRODUCT RRP'S									
Bespoke stock reference	Bespoke size reference (mm)	CLEAR GLASS		ANGLED/SHAPED GLASS		FROSTED GLASS		SHAPED & FROSTED GLASS	
		New list Ex vat £	New list Inc vat £	New list Ex vat £	New list Inc vat £	New list Ex vat £	New list Inc vat £	New list Ex vat £	New list Inc vat £
SPDXL1HDRA	0-630	£1,000.00	£1,200.00	£1,094.17	£1,313.00	£1,169.17	£1,403.00	£1,263.33	£1,516.00
SPDXL1HDRB	0-630	£1,000.00	£1,200.00	£1,094.17	£1,313.00	£1,169.17	£1,403.00	£1,263.33	£1,516.00
SPDXL1HR10	0-1000	£383.33	£460.00	£450.00	£540.00	£503.33	£604.00	£570.83	£685.00
SPDXL1HR12	1000-1200	£533.33	£640.00	£626.67	£752.00	£700.00	£840.00	£793.33	£952.00
SPDXL1HR14	1200-1400	£583.33	£700.00	£685.00	£822.00	£765.83	£919.00	£868.33	£1,042.00
SPDXL1HR16	1400-1600	£733.33	£880.00	£861.67	£1,034.00	£963.33	£1,156.00	£1,091.67	£1,310.00
SPDXHR8	0-800	£689.17	£827.00	£798.33	£958.00	£885.83	£1,063.00	£995.83	£1,195.00
SPDXHR9	800-900	£753.33	£904.00	£873.33	£1,048.00	£968.33	£1,162.00	£1,088.33	£1,306.00

Please specify product height required when ordering (up to 2700mm)

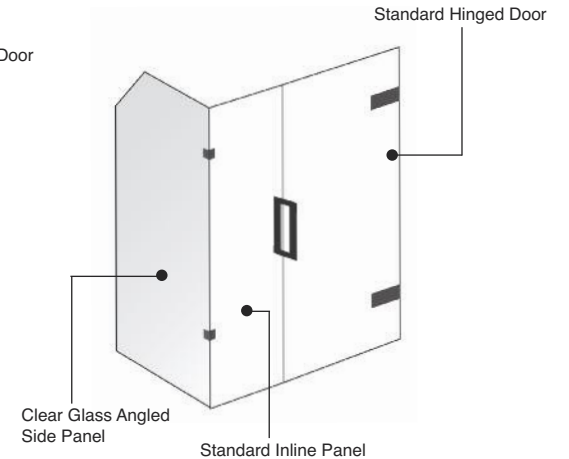
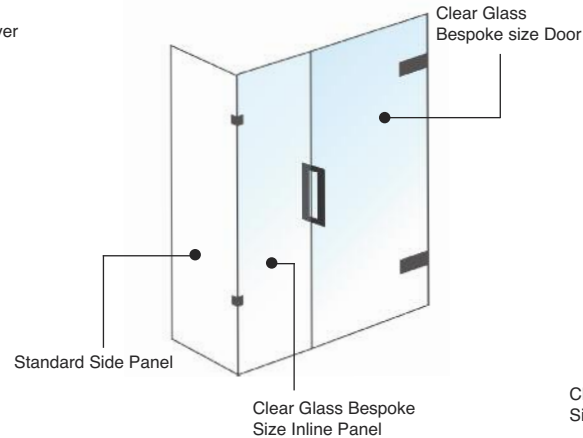
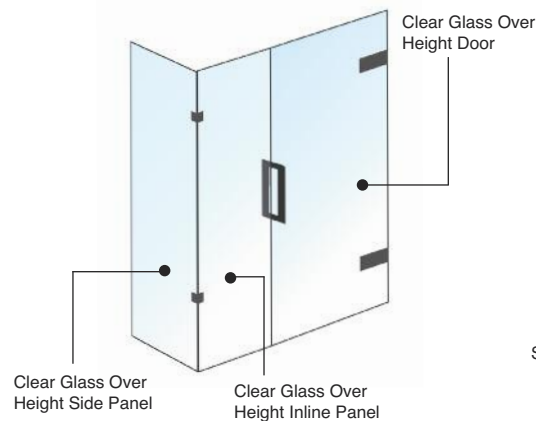
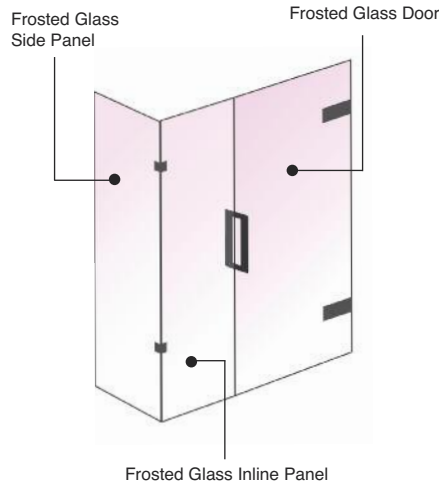
A selection of special examples:

1 Full Bespoke
Frosted Glass Door, Inline and Side panel

2 Full Bespoke
Over height (up to 2700mm), over width (up to 2700mm), over depth up to (1750mm)

3 Part Bespoke
Bespoke Door, Bespoke Inline and Standard Side Panel

4 Part Bespoke
Standard Door with Bespoke Inline Panel and Bespoke Side Panel



Sizes/Code/Price for examples above:

Description	Enclosure Size	Stock reference	Glass finish	Total Cost
1 Full bespoke: door, inline and side panel	2000 x 1200 x 900mm	SPDXL1HDRA + SPDXL1HR12 + SPDXHR9	Frosted Glass	£3,405.00 Inc vat
2 Full bespoke: over height door, over width inline panel, over depth side panel	2100 x 1800 x 1100mm	SPDXL1HDRA + SPDXL1HR16 + SPDXHR9	Clear Glass	£3,344.00 Inc vat (*Inc £360.00 extra)
3 Part bespoke: bespoke door, bespoke inline and standard side panel	2000 x 1100 x 900mm	SPDXL1HDRA + SPDXL1HR12 + DXHR9	Clear Glass	£2,423.33 Inc vat
4 Part bespoke: standard door, standard inline and bespoke side panel	2000 x 1200 x 850mm	DXL1HDRA + DXL1HR12 + SPDXHR9	Clear Glass / Angled Clear Glass	£2,114.67 Inc vat

Please ring Roman Customer Sales on 01325 328034 if you require advice on any of the above information

DECEM^X

Hinged Door with One Inline Panel for Alcove fitting

IMPORTANT INFORMATION:

- For products over 2000mm high add £60.00 inc vat per 100mm to your total price.
- For products over max width of product category add £60.00 inc vat per 100mm to your total price.
- Hinge door heights and widths may be restricted in sizes and/or supplied with 3 hinges; this will be specified at the design stage and communicated through the drawing approval process.
- Please feel free to discuss with Roman customer services at any stage of the design and specification process.

How to specify and order your bespoke product

- Step 1:** Measure your alcove
- Step 2:** Decide which of the bespoke options you prefer or best suits your alcove
- Step 3:** Make your ordering choice from the options on the following page
- Step 4:** Complete the bespoke ordering form at the back of this brochure

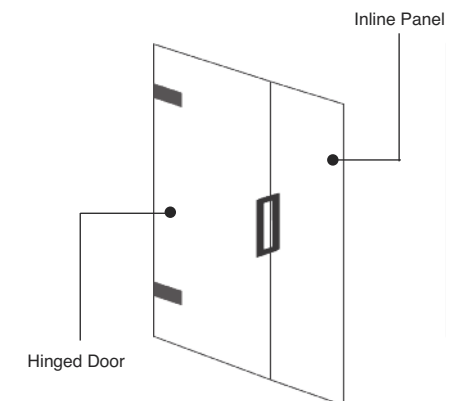
Bespoke options

- **Full bespoke:** Door and inline panel
- **Part bespoke:** Standard door with bespoke inline panel
- **Full bespoke:** Over height (up to 2700 mm) and over width (up to 2700mm)
- **Clear Glass**
- **Frosted Glass**
- **Shaped Glass**
- **Frosted and Shaped Glass**

Curved Hardware A



Square Hardware B



For products over 2000mm high add £60.00 inc vat per 100mm to your total price
 For products over max width of product category add £60.00 inc vat per 100mm to your total price

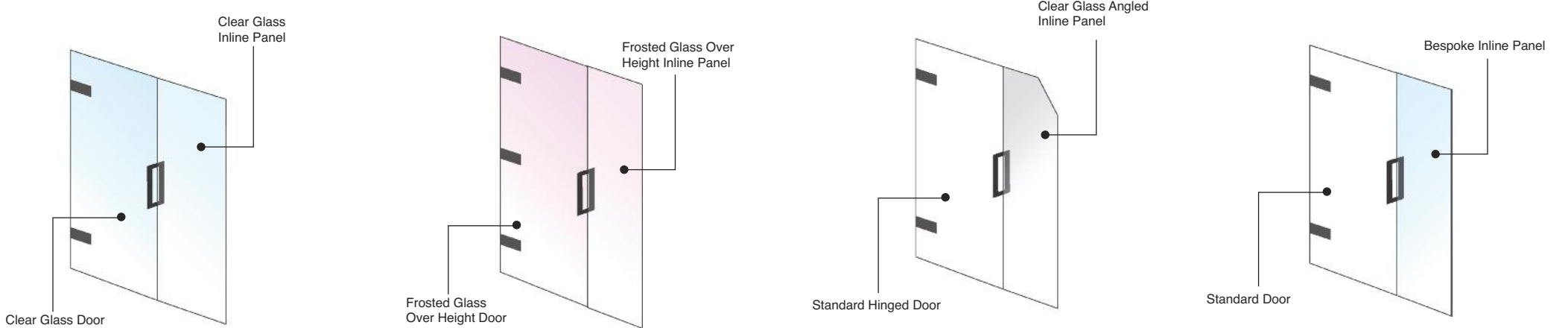
STANDARD PRODUCT RRP'S						
Standard stock reference	Description	Hardware	Size (mm)	Adjustment (mm)	Ex vat £	Inc vat £
DXL1HDA	Hinged door for 1 inline alcove	Curved	630	n/a	£500.00	£600.00
DXL1HDB	Hinged door for 1 inline alcove	Square	630	n/a	£500.00	£600.00
DXL1H10	Inline panel for alcove	-	1000	960-990	£416.67	£500.00
DXL1H12	Inline panel for alcove	-	1200	1160-1190	£500.00	£600.00
DXL1H14	Inline panel for alcove	-	1400	1360-1390	£583.33	£700.00
DXL1H16	Inline panel for alcove	-	1600	1560-1590	£666.67	£800.00

BESPOKE PRODUCT RRP'S									
Bespoke stock reference	Bespoke size reference (mm)	CLEAR GLASS		ANGLED/SHAPED GLASS		FROSTED GLASS		SHAPED & FROSTED GLASS	
		New list Ex vat £	New list Inc vat £	New list Ex vat £	New list Inc vat £	New list Ex vat £	New list Inc vat £	New list Ex vat £	New list Inc vat £
SPDXL1HDA	0-630	£975.00	£1,170.00	£1,070.00	£1,284.00	£1,145.00	£1,374.00	£1,239.17	£1,487.00
SPDXL1HDB	0-630	£975.00	£1,170.00	£1,070.00	£1,284.00	£1,145.00	£1,374.00	£1,239.17	£1,487.00
SPDXL1H10	0-1000	£500.00	£600.00	£580.83	£697.00	£644.17	£773.00	£725.00	£870.00
SPDXL1H12	1000-1200	£600.00	£720.00	£696.67	£836.00	£773.33	£928.00	£870.00	£1,044.00
SPDXL1H14	1200-1400	£700.00	£840.00	£812.50	£975.00	£901.67	£1,082.00	£1,015.00	£1,218.00
SPDXL1H16	1400-1600	£800.00	£960.00	£929.17	£1,115.00	£1,030.83	£1,237.00	£1,159.17	£1,391.00

Please specify product height required when ordering (up to 2700mm)

A selection of special examples:

1 Full Bespoke Door and Inline panel	2 Full Bespoke Over height (up to 2700mm) and over width (max 2700mm)	3 Part Bespoke Standard Door with Bespoke Angled Inline panel	4 Part Bespoke Standard Door with Bespoke Inline Panel
--	---	---	--



Sizes/Code/Price for examples above:

Description	Enclosure Size	Stock reference	Glass finish	Total Cost
1 Full bespoke: door and inline panel	2000 x 1500mm	SPDXL1HDB + SPDXL1H16	Clear Glass	£2,130.00 Inc vat
2 Full bespoke: over height (up to 2700 mm) and over width (up to 2700 mm)	2500 x 1700mm	SPDXL1HDB + SPDXL1H16	Frosted Glass	£2,971.00 Inc vat (*Inc £360.00 extra)
3 Part bespoke: standard door with bespoke angled inline panel	2000 x 1500mm	DXL1HDB + SPDXL1H16	Clear Glass / Clear Angled Glass	£1,715.00 Inc vat
4 Part bespoke: standard door with bespoke inline panel	2000 x 1500mm	DXL1HDB + SPDXL1H16	Clear Glass	£1,560.00 Inc vat

Please ring Roman Customer Sales on 01325 328034 if you require advice on any of the above information



DECEM^x

Hinged Door with Two Inline Panels for Corner fitting

IMPORTANT INFORMATION:

- For products over 2000mm high add £120.00 inc vat per 100mm to your total price.
- For products over max width of product category add £60.00 inc vat per 100mm to your total price.
- For products over max depth of product category add £60.00 inc vat per 100mm to your total price.
- Hinge door heights and widths may be restricted in sizes and/or supplied with 3 hinges; this will be specified at the design stage and communicated through the drawing approval process.
- Please feel free to discuss with Roman customer services at any stage of the design and specification process.

How to specify and order your bespoke product

- Step 1:** Measure your corner
- Step 2:** Decide which of the bespoke options you prefer or best suits your corner
- Step 3:** Make your ordering choice from the options from the following page
- Step 4:** Complete the bespoke ordering form at the back of this brochure

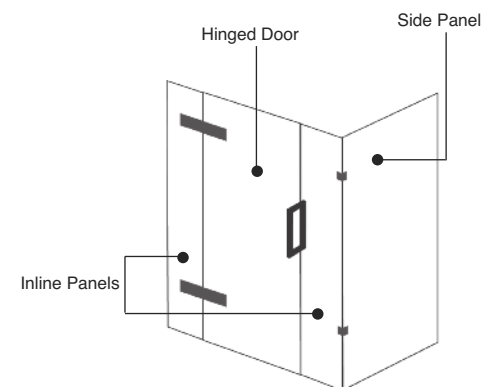
Bespoke options

- **Full bespoke:** Door, in lines and side panel
- **Part bespoke:** Standard door with bespoke in lines and standard side panel
- **Part bespoke:** Standard door, bespoke in lines and bespoke side panel
- **Part bespoke:** Standard door, standard in lines and bespoke side panel
- **Full bespoke:** Over height (up to 2700 mm) and over width (up to 2700 mm) over depth (up to 1750mm)
- Clear Glass
- Frosted Glass
- Shaped Glass
- Frosted and Shaped Glass

Curved Hardware A



Square Hardware B



For products over 2000mm high add £120.00 inc vat per 100mm to your total price
 For products over max width of product category add £60.00 inc vat per 100mm to your total price
 For products over max depth of product category add £60.00 inc vat per 100mm to your total price

STANDARD PRODUCT RRP'S							BESPOKE PRODUCT RRP'S									
Standard stock reference	Description	Hardware	Size (mm)	Adjustment (mm)	Ex vat £	Inc vat £	Bespoke stock reference	Bespoke size reference (mm)	CLEAR GLASS		ANGLED/SHAPED GLASS		FROSTED GLASS		SHAPED & FROSTED GLASS	
									New list Ex vat £	New list Inc vat £	New list Ex vat £	New list Inc vat £	New list Ex vat £	New list Inc vat £	New list Ex vat £	New list Inc vat £
DXLHDRA	Hinged Door for 2 inlines corner	Curved	650	n/a	£444.44	£533.33	SPDXLHDRA	0-650	£955.83	£1,147.00	£1,054.17	£1,265.00	£1,132.50	£1,359.00	£1,230.83	£1,477.00
DXLHDRB	Hinged Door for 2 inlines corner	Square	650	n/a	£444.44	£533.33	SPDXLHDRB	0-650	£955.83	£1,147.00	£1,054.17	£1,265.00	£1,132.50	£1,359.00	£1,230.83	£1,477.00
DXLHR12	Inline panels for corner	-	1200	1175-1190	£444.45	£533.34	SPDXLHR12	0-1200	£822.50	£987.00	£909.17	£1,091.00	£977.50	£1,173.00	£1,065.00	£1,278.00
DXLHR14	Inline panels for corner	-	1200	1375-1390	£486.12	£583.34	SPDXLHR14	1200-1400	£899.17	£1,079.00	£994.17	£1,193.00	£1,069.17	£1,283.00	£1,164.17	£1,397.00
DXLHR16	Inline panels for corner	-	1600	1575-1590	£611.12	£733.34	SPDXLHR16	1400-1600	£1,130.83	£1,357.00	£1,250.00	£1,500.00	£1,344.17	£1,613.00	£1,464.17	£1,757.00
DXHR8	Side panel for inline panel	-	800	775-790	£444.44	£533.33	SPDXHR8	0-800	£689.17	£827.00	£798.33	£958.00	£885.83	£1,063.00	£995.83	£1,195.00
DXHR9	Side panel for inline panel	-	900	875-890	£486.11	£583.33	SPDXHR9	800-900	£753.33	£904.00	£873.33	£1,048.00	£968.33	£1,162.00	£1,088.33	£1,306.00

Please specify product height required when ordering (up to 2700mm)

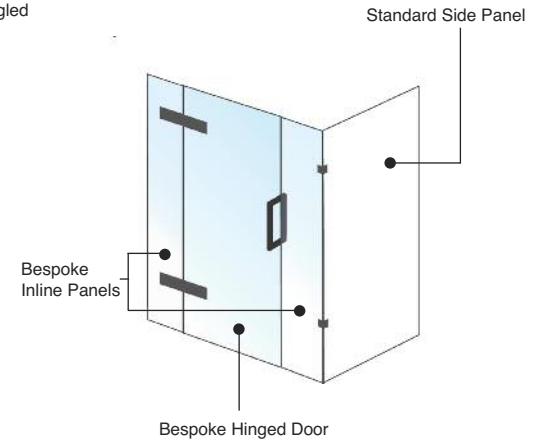
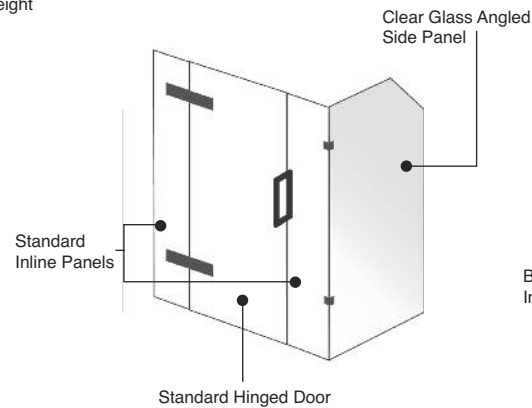
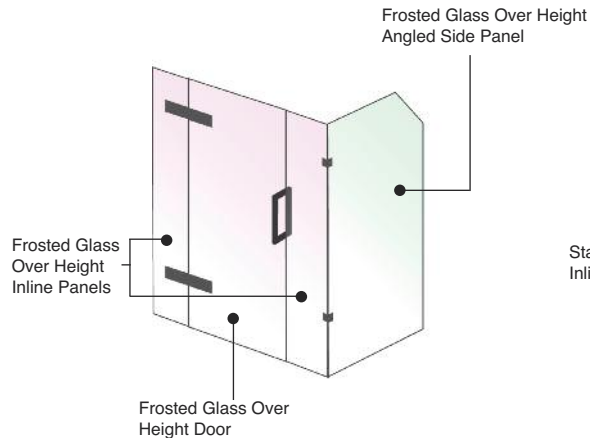
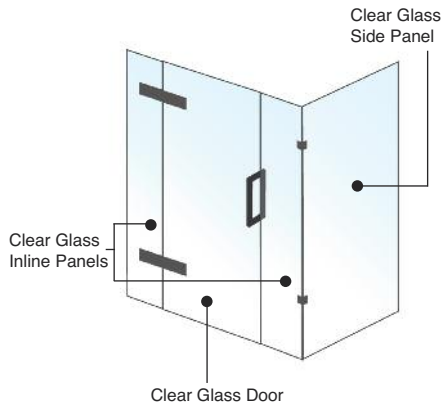
A selection of special examples:

1 Full Bespoke
Door and Inlines and side panel

2 Full Bespoke
Over height (up to 2700mm), over width (up to 2000mm) and over depth (up to 1750mm)

3 Part Bespoke
Standard Door with standard inlines and bespoke side Panel

4 Part Bespoke
Bespoke Door with Bespoke inlines and standard side Panel



Sizes/Code/Price for examples above:

Description	Enclosure Size	Stock reference	Glass finish	Total Cost
1 Full bespoke: door, in lines and side panel	2000 x 1550 x 850mm	SPDXLHDRA + SPDXLHR16 + SPDXHR9	Clear Glass	£3,408.00 Inc vat
2 Full bespoke: over height (up to 2700 mm)	2500 x 1700 x 1000mm	SPDXLHDRA + SPDXLHR16 + SPDXHR9	Frosted Glass / Angled Frosted Glass	£4,998.00 Inc vat (*Inc £720.00 extra)
3 Part bespoke: standard door, standard in lines and bespoke side panel	2000 x 1600 x 1000mm	DXLHDRA + DXLHR16 + SPDXHR9	Angled Clear Glass	£2,314.67 Inc vat
4 Part bespoke: bespoke door with bespoke in lines and standard side panel	2000 x 1550 x 900mm	DXLHDRA + SPDXLHR16 + DXHR9	Clear Glass	£3,087.33 Inc vat

Please ring Roman Customer Sales on 01325 328034 if you require advice on any of the above information



DECEM^x

Hinged Door with Two Inline Panels for Alcove fitting

IMPORTANT INFORMATION:

- For products over 2000mm high add £60.00 inc vat per 100mm per item to your total price.
- For products over max width of product category add £60.00 inc vat per 100mm to your total price.
- Hinge door heights and widths may be restricted in sizes and/or supplied with 3 hinges; this will be specified at the design stage and communicated through the drawing approval process.
- Please feel free to discuss with Roman customer services at any stage of the design and specification process.

How to specify and order your bespoke product

- Step 1:** Measure your alcove
- Step 2:** Decide which of the bespoke options you prefer or best suits your alcove
- Step 3:** Make your ordering choice from the options on the following page
- Step 4:** Complete the bespoke ordering form at the back of this brochure

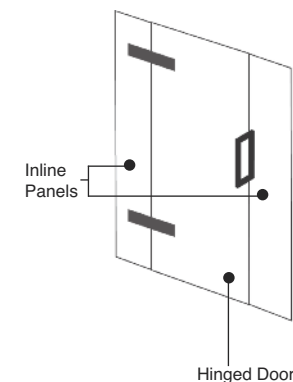
Bespoke options

- **Full bespoke:** Door and in lines
- **Part bespoke:** Standard door with bespoke in lines
- **Full bespoke:** Over height (up to 2700 mm) and over width (up to 2700 mm)
- **Clear Glass**
- **Frosted Glass**
- **Shaped Glass**
- **Frosted and Shaped Glass**

Curved Hardware A



Square Hardware B



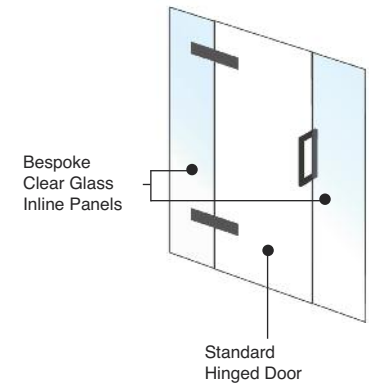
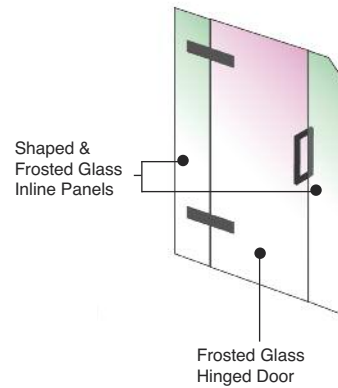
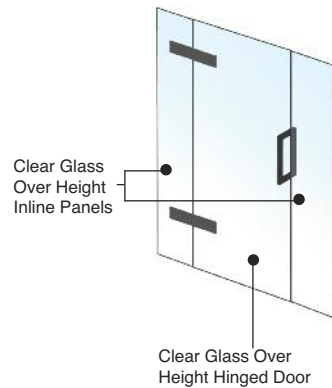
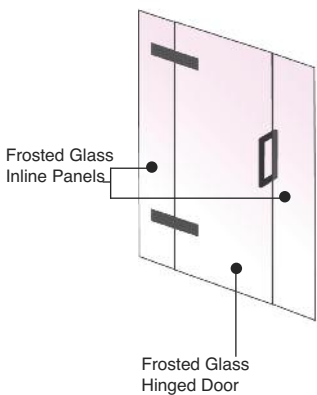
For products over 2000mm high add £60.00 inc vat per 100mm to your total price
 For products over max width of product category add £60.00 inc vat per 100mm to your total price

STANDARD PRODUCT RRP'S							BESPOKE PRODUCT RRP'S									
Standard stock reference	Description	Hardware	Size (mm)	Adjustment (mm)	Ex vat £	Inc vat £	Bespoke stock reference	Bespoke size reference (mm)	CLEAR GLASS		ANGLED/SHAPED GLASS		FROSTED GLASS		SHAPED & FROSTED GLASS	
									New list Ex vat £	New list Inc vat £	New list Ex vat £	New list Inc vat £	New list Ex vat £	New list Inc vat £	New list Ex vat £	New list Inc vat £
DXLHDA	Hinged Door for 2 in lines alcove	Curved	650	n/a	£500.00	£600.00	SPDXLHDA	0-650	£975.00	£1,170.00	£1,086.67	£1,304.00	£1,175.83	£1,411.00	£1,287.50	£1,545.00
DXLHDB	Hinged Door for 2 in lines alcove	Square	650	n/a	£500.00	£600.00	SPDXLHDB	0-650	£975.00	£1,170.00	£1,086.67	£1,304.00	£1,175.83	£1,411.00	£1,287.50	£1,545.00
DXLH12	Inline panels for alcove	-	1200	1160-1190	£500.00	£600.00	SPDXLH12	0-1200	£825.00	£990.00	£903.33	£1,084.00	£965.83	£1,159.00	£1,044.17	£1,253.00
DXLH14	Inline panels for alcove	-	1400	1360-1390	£583.33	£700.00	SPDXLH14	1200-1400	£962.50	£1,155.00	£1,054.17	£1,265.00	£1,126.67	£1,352.00	£1,217.50	£1,461.00
DXLH16	Inline panels for alcove	-	1600	1560-1590	£666.67	£800.00	SPDXLH16	1400-1600	£1,100.00	£1,320.00	£1,204.17	£1,445.00	£1,287.50	£1,545.00	£1,391.67	£1,670.00

Please specify product height required when ordering (up to 2700mm)

A selection of special examples:

1 Full Bespoke Door and inline panels	2 Full Bespoke Over height (up to 2700mm) and over width (up to 2700mm)	3 Full Bespoke Bespoke door with bespoke inlines	4 Part Bespoke Standard door with bespoke inline panels
---	---	--	---



Sizes/Code/Price for examples above:

Description	Enclosure Size	Stock reference	Glass finish	Total Cost
1 Full bespoke: door and in lines	2000 x 1350mm	SPDXLHDB + SPDXLH14	Frosted Glass	£2,763.00 Inc vat
2 Full bespoke: over height (up to 2700 mm) and over width (up to 2700 mm)	2500 x 1700mm	SPDXLHDB + SPDXLH16	Clear Glass	£2,850.00 Inc vat (*Inc £360.00 Inc Vat Extra)
3 Part bespoke: bespoke door with bespoke angled in lines	2000 x 1350mm	SPDXLHDB + SPDXLH14	Frosted Glass / Angled Frosted Glass	£2,872.00 Inc vat
4 Part bespoke: standard door with bespoke in lines	2000 x 1350mm	DXLHDB + SPDXLH14	Clear Glass	£1,755.00 Inc vat

Please ring Roman Customer Sales on 01325 328034 if you require advice on any of the above information



DECEM^x

Hinged Door with Hinged Inline Panel for Corner fitting

IMPORTANT INFORMATION:

- For products over 2000mm high add £120.00 inc vat per 100mm to your total price.
- For products over max width of product category add £60.00 inc vat per 100mm to your total price.
- For products over max depth of Product Category add £60.00 inc vat per 100mm to your total price.
- Hinge door heights and widths may be restricted in sizes and/or supplied with 3 hinges; this will be specified at the design stage and communicated through the drawing approval process.
- Please feel free to discuss with Roman customer services at any stage of the design and specification process.

How to specify and order your bespoke product

- Step 1:** Measure your corner
- Step 2:** Decide which of the bespoke options you prefer or best suits your corner
- Step 3:** Make your ordering choice from the options on the following page
- Step 4:** Complete the bespoke ordering form at the back of this brochure

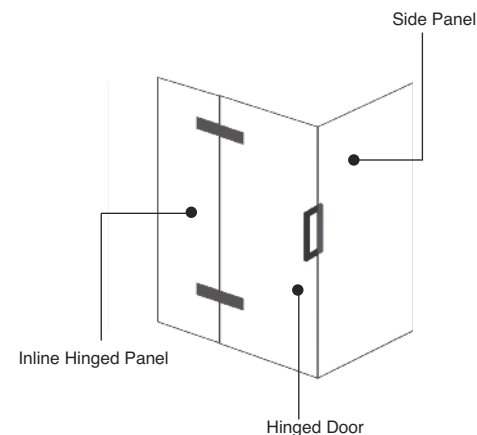
Bespoke options

- **Full bespoke:** Door, hinge inline and side panel
- **Part bespoke:** Standard door with bespoke hinge inline and standard side panel
- **Part bespoke:** Bespoke door, bespoke hinge inline and standard side panel
- **Part bespoke:** Standard door, standard hinge inline and bespoke side panel
- **Full bespoke:** Over height (up to 2700 mm) and over width (up to 2700 mm) and over depth (up to 1750mm)
- Clear Glass
- Frosted Glass
- Shaped Glass
- Frosted and Shaped Glass

Curved Hardware A



Square Hardware B



For products over 2000mm high add £120.00 inc vat per 100mm to your total price
 For products over max width of product category add £60.00 inc vat per 100mm to your total price
 For products over max depth of product category add £60.00 inc vat per 100mm to your total price

STANDARD PRODUCT RRP'S							BESPOKE PRODUCT RRP'S									
Standard stock reference	Description	Hardware	Size (mm)	Adjustment (mm)	Ex vat £	Inc vat £	Bespoke stock reference	Bespoke size reference (mm)	CLEAR GLASS		ANGLED/SHAPED GLASS		FROSTED GLASS		SHAPED & FROSTED GLASS	
									New list Ex vat £	New list Inc vat £	New list Ex vat £	New list Inc vat £	New list Ex vat £	New list Inc vat £	New list Ex vat £	New list Inc vat £
DXL2HDA	Hinged door for hinged inline	Curved	670	n/a	£458.33	£550.00	SPDXL2HDA	0-670	£939.17	£1,127.00	£1,040.83	£1,249.00	£1,120.83	£1,345.00	£1,222.50	£1,467.00
DXL2HDB	Hinged door for hinged inline	Square	670	n/a	£458.33	£550.00	SPDXL2HDB	0-670	£939.17	£1,127.00	£1,040.83	£1,249.00	£1,120.83	£1,345.00	£1,222.50	£1,467.00
DXL2HR10	Inline hinged panel for corner	-	1000	975-990	£312.50	£375.00	SPDXL2HR10	0-1000	£469.17	£563.00	£511.67	£614.00	£545.83	£655.00	£589.17	£707.00
DXL2HR12	Inline hinged panel for corner	-	1200	1175-1190	£437.50	£525.00	SPDXL2HR12	1000-1200	£656.67	£788.00	£716.67	£860.00	£764.17	£917.00	£825.00	£990.00
DX1R76	Side panel for hinged inline	-	760	735-750	£395.83	£475.00	SPDX1R76	0-760	£613.33	£736.00	£715.83	£859.00	£795.83	£955.00	£898.33	£1,078.00
DX1R8	Side panel for hinged inline	-	800	775-790	£437.50	£525.00	SPDX1R8	760-800	£678.33	£814.00	£790.83	£949.00	£880.00	£1,056.00	£992.50	£1,191.00
DX1R9	Side panel for hinged inline	-	900	875-890	£479.17	£575.00	SPDX1R9	800-900	£742.50	£891.00	£865.83	£1,039.00	£963.33	£1,156.00	£1,087.50	£1,305.00
DX1R10	Side panel for hinged inline	-	1000	975-990	£562.50	£675.00	SPDX1R10	900-1000	£871.67	£1,046.00	£1,016.67	£1,220.00	£1,131.67	£1,358.00	£1,275.83	£1,531.00

Please specify product height required when ordering (up to 2700mm)

A selection of special examples:

1 Full Bespoke
Hinged Door and Hinged Inline Panel with Side Panel

2 Full Bespoke
Over height (up to 2700mm)

3 Part Bespoke
Bespoke Door and Hinged Inline Panel with Standard Side Panel

4 Part Bespoke
Standard Door and Inline Panel with Bespoke Side Panel

Sizes/Code/Price for examples above:

Description	Enclosure Size	Bespoke stock reference	Glass finish	Total Cost
1 Full bespoke: door, hinge inline and side panel	2000 x 1100 x 950mm	SPDXL2HDB + SPDXL2HR12 + SPDX1R10	Clear Glass	£2,961.00 Inc vat
2 Full bespoke: over height (up to 2700 mm)	2100 x 1200 x 1000mm	SPDXL2HDB + SPDXL2HR12 + SPDX1R10	Frosted / Frosted Angled Glass	£3,913.00 Inc vat (*Inc £120.00 Extra)
3 Part bespoke: bespoke door with bespoke hinge inline and standard side panel	2000 x 1100 x 900mm	SPDXL2HDB + SPDXL2HR12 + DX1R9	Frosted Glass / Clear Glass	£2,837.00 Inc vat
4 Part bespoke: standard door, standard hinge inline and bespoke side panel	2000 x 1200 x 900mm	DXL2HDB + DXL2HR12 + SPDX1R9	Clear Glass / Angled Clear Glass	£2,114.00 Inc vat

Please ring Roman Customer Sales on 01325 328034 if you require advice on any of the above information

DECEM^x

Hinged Door with Hinged Inline Panel for Alcove fitting



IMPORTANT INFORMATION:

- For products over 2000mm high add £60.00 inc vat per 100mm to your total price
- For products over max width of product category add £60.00 inc vat per 100mm to your total price.
- Hinge door heights and widths may be restricted in sizes and/or supplied with 3 hinges; this will be specified at the design stage and communicated through the drawing approval process.
- Please feel free to discuss with Roman customer services at any stage of the design and specification process.

How to specify and order your bespoke product

- Step 1:** Measure your alcove
- Step 2:** Decide which of the bespoke options you prefer or best suits your alcove
- Step 3:** Make your ordering choice from the options on the following page
- Step 4:** Complete the bespoke ordering form at the back of this brochure

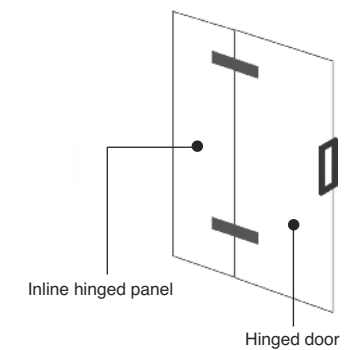
Bespoke options

- **Full bespoke:** Door and hinged inline panel
- **Part bespoke:** Standard door with bespoke hinged inline panel
- **Full bespoke:** Over height (up to 2700 mm) and over width (up to 2700mm)
- **Clear Glass**
- **Frosted Glass**
- **Shaped Glass**
- **Frosted and Shaped Glass**

Curved Hardware A



Square Hardware B



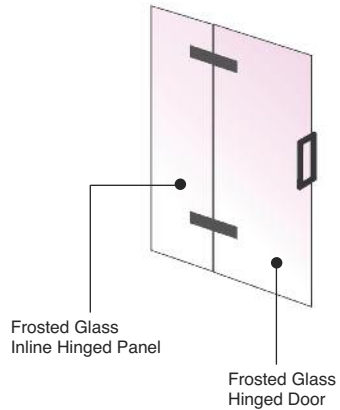
For products over 2000mm high add £60.00 inc vat per 100mm to your total price
 For products over max width of product category add £60.00 inc vat per 100mm to your total price

STANDARD PRODUCT RRP'S							BESPOKE PRODUCT RRP'S									
Standard stock reference	Description	Hardware	Size (mm)	Adjustment (mm)	Ex vat £	Inc vat £	Bespoke stock reference	Bespoke size reference (mm)	CLEAR GLASS		ANGLED/SHAPED GLASS		FROSTED GLASS		SHAPED & FROSTED GLASS	
									New list Ex vat £	New list Inc vat £	New list Ex vat £	New list Inc vat £	New list Ex vat £	New list Inc vat £	New list Ex vat £	New list Inc vat £
DXL2HDA	Hinged door for hinged inline	Curved	655	n/a	£458.33	£550.00	SPDXL2HDA	0-655	£939.17	£1,127.00	£1,040.83	£1,249.00	£1,120.83	£1,345.00	£1,222.50	£1,467.00
DXL2HDB	Hinged door for hinged inline	Square	655	n/a	£458.33	£550.00	SPDXL2HDB	0-655	£939.17	£1,127.00	£1,040.83	£1,249.00	£1,120.83	£1,345.00	£1,222.50	£1,467.00
DXL2H10	Inline hinged panel	-	1000	960-990	£458.33	£550.00	SPDXL2H10	0-1000	£641.67	£770.00	£693.33	£832.00	£735.00	£882.00	£786.67	£944.00
DXL2H12	Inline hinged panel	-	1200	1160-1190	£541.67	£650.00	SPDXL2H12	1000-1200	£758.33	£910.00	£820.00	£984.00	£868.33	£1,042.00	£930.00	£1,116.00

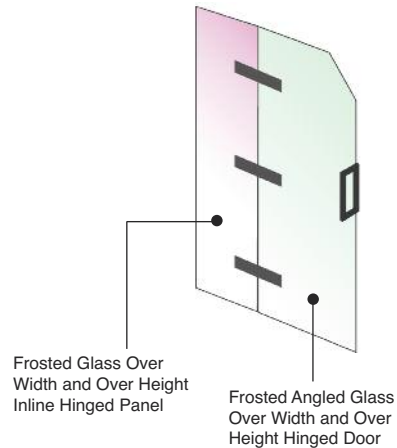
Please specify product height required when ordering (up to 2700mm)

A selection of special examples:

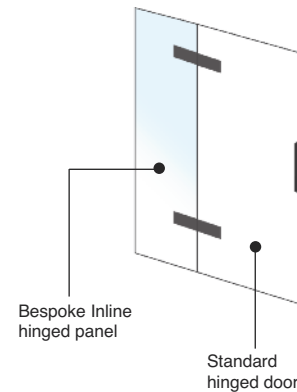
1 Full Bespoke Door and Inlines



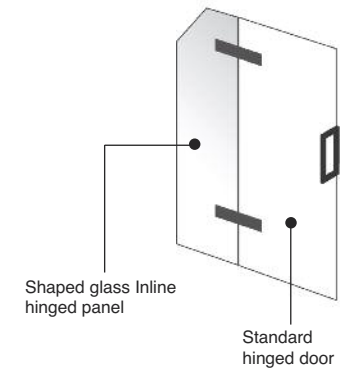
2 Full Bespoke Over height (up to 2700mm) and over width (up to 2700mm))



3 Part Bespoke Standard Door with bespoke inline panel



4 Part Bespoke Standard Door with bespoke angled inline panel



Sizes/Code/Price for examples above:

Description	Enclosure Size	Bespoke stock reference	Glass finish	Total Cost
1 Full bespoke: Door and hinged inline panel	2000 x 1175mm	SPDXL2HDA + SPDXL2H12	Frosted Glass	£2,387.00 Inc vat
2 Full bespoke: Over height (up to 2700 mm) and over width (up to 2700mm)	2200 x 1700mm	SPDXL2HDA + SPDXL2H12	Frosted Angled Glass / Frosted Glass	£2,881.00 Inc vat (*Inc £420.00 Inc Vat Extra)
3 Part bespoke: Standard door with bespoke hinged inline panel	2000 x 1175mm	DXL2HDA + SPDXL2H12	Clear Glass	£1,460.00 Inc vat
4 Part bespoke: Standard door with bespoke angled hinged inline panel	2000 x 1175mm	DXL2HDA + SPDXL2H12	Clear / Angled Clear Glass	£1,534.00 Inc vat

Please ring Roman Sales Relations on 01325 328034 if you require advice on any of the above information

DECEM^x Wetroom Panel and optional 'L' Return Panel



IMPORTANT INFORMATION:

- For products over 2000mm high add £60.00 inc vat per 100mm per item on the Bespoke Product price list.
- For products over max width of product category add £60.00 inc vat per 100mm per item on the Bespoke Product price list.
- Wetroom panel may be restricted in sizes; this will be specified at the design stage and communicated through the drawing approval process.
- Please feel free to discuss with Roman customer services at any stage of the design and specification process.
- All exposed products are supplied with the Decem brace bar.
- All concealed products can be specified with the LBBKST10 optional brace bar. Please order separately if required at a cost of £99.45 inc vat.

Optional Bracing Bar

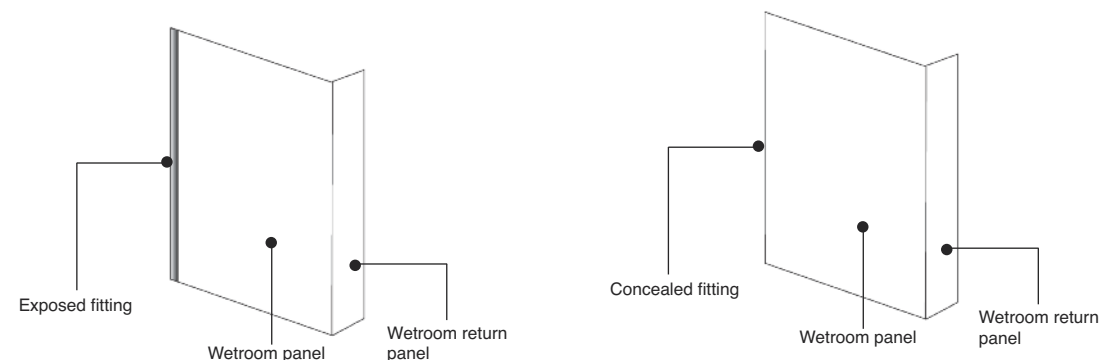


How to specify and order your bespoke product

- Step 1: Measure your showering area
- Step 2: Decide which of bespoke option you prefer or best suits your showering area
- Step 3: Make your ordering choice from the options on the following page
- Step 4: Complete the bespoke ordering form at the back of this brochure

Bespoke options

- Full bespoke: height and/or width
- Full bespoke: Over height and/or width (height up to 2700mm and width up to 1750mm)
- Exposed Decem profile or Concealed profile
- Optional 'L' shaped return panel
- Clear Glass
- Frosted Glass
- Shaped Glass
- Frosted and Shaped Glass



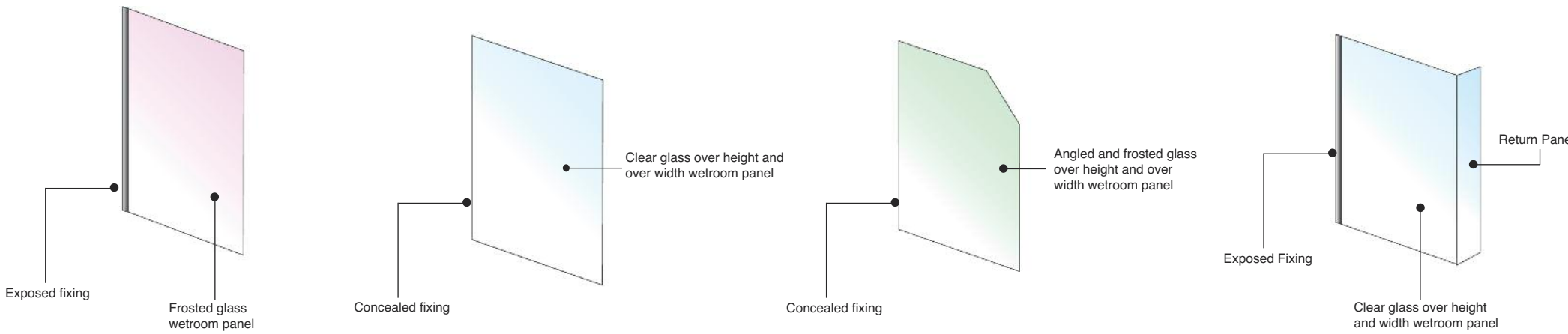
For products over 2000mm high add £60.00 inc vat per 100mm to your total price
 For products over max width of product category add £60.00 inc vat per 100mm to your total price

STANDARD PRODUCT RRP'S					
Standard stock reference	Description	Size (mm)	Adjustment (mm)	Ex vat £	Inc vat £
DXFCP8	Wetroom panel exposed fixing	800	765-780	£395.83	£475.00
DXFCP9	Wetroom panel exposed fixing	900	865-880	£416.67	£500.00
DXFCP10	Wetroom panel exposed fixing	1000	965-980	£516.67	£620.00
DXFCP12	Wetroom panel exposed fixing	1200	1165-1180	£545.83	£655.00
DXFCP8CF	Wetroom panel concealed fixing	800	722-740	£312.50	£375.00
DXFCP9CF	Wetroom panel concealed fixing	900	822-840	£337.50	£405.00
DXFCP10CF	Wetroom panel concealed fixing	1000	922-940	£433.33	£520.00
DXFCP12CF	Wetroom panel concealed fixing	1200	1122-1140	£462.50	£555.00
DXFCPL2	Wetroom return panel	200	n/a	£208.33	£250.00
DXFCPL4	Wetroom return panel	400	n/a	£250.00	£300.00

All concealed products can be specified with the LBBKST10 optional brace bar. Please order separately if required. (£99.45 inc vat)

A selection of special examples:

1 Full Bespoke Width	2 Full Bespoke Over height (up to 2700mm) Over width (up to 1750mm)	3 Full Bespoke Over height (up to 2700mm) Over width (up to 1750mm)	4 Full Bespoke Over width (up to 1750mm)
-----------------------------	--	--	--



Sizes/Code/Price for examples above:

Description	Enclosure Size	Stock reference	Glass finish	Total Cost
1 Full bespoke: over height	2000 x 1100mm	SPDXFCP12	Frosted Glass	£1,438.00 Inc vat
2 Full bespoke: over height, over width and shaped	2200 x 1400mm	SPDXFCP12CF	Clear Glass	£1,211.00 Inc vat (*Inc £240.00 Inc Vat Extra)
3 Full bespoke: over height, over width and shaped	2200 x 1400mm	SPDXFCP12CF	Frosted Angled Glass	£1,775.00 Inc vat (*Inc £240.00 Inc Vat Extra)
4 Full bespoke: over height, over width with return panel	2200 x 1400mm & 2200 x 500mm	SPDXFCP12 + SPDXFCPL4	Clear Glass	£1,981.00 Inc vat (*Inc £420.00 Inc vat Extra)

Please ring Roman Customer Sales on 01325 328034 if you require advice on any of the above information

DECEM^x Bath Screen



IMPORTANT INFORMATION:

- For products over 1500mm high add £60.00 inc vat per 100mm to your total price.
- For products over max width of product category add £60.00 inc vat per 100mm to your total price.
- Bath Screen heights and widths may be restricted in sizes and/or supplied with 3 hinges; this will be specified at the design stage and communicated through the drawing approval process.
- Please feel free to discuss with Roman customer services at any stage of the design and specification process.

How to specify and order your bespoke product

- Step 1:** Measure your showering area
- Step 2:** Decide which of the bespoke options you prefer or best suits your showering area
- Step 3:** Make your ordering choice from the options on the following page
- Step 4:** Complete the bespoke ordering form at the back of this brochure

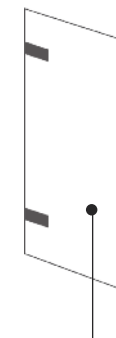
Bespoke options

- **Full bespoke:** Height and/or width
- **Full bespoke:** Over height and/or width (height up to 2700mm and width up to 1000mm)
- **Clear Glass**
- **Frosted Glass**
- **Shaped Glass**
- **Frosted and Shaped Glass**

Curved Hardware A



Square Hardware B



Bath Screen

For products over 2000mm high add £60.00 inc vat per 100mm to your total price
 For products over max width of product category add £60.00 inc vat per 100mm to your total price

STANDARD PRODUCT RRP'S							BESPOKE PRODUCT RRP'S									
Standard stock reference	Description	Hardware	Size (mm)	Adjustment (mm)	Ex vat £	Inc vat £	Bespoke stock reference	Bespoke size reference (mm)	CLEAR GLASS		ANGLED/SHAPED GLASS		FROSTED GLASS		SHAPED & FROSTED GLASS	
									New list Ex vat £	New list Inc vat £	New list Ex vat £	New list Inc vat £	New list Ex vat £	New list Inc vat £	New list Ex vat £	New list Inc vat £
DXBLA	Hinged bath screen	Curved	800	815-830	£495.83	£595.00	SPDXBLA	0-830	£768.33	£922.00	£852.50	£1,023.00	£919.17	£1,103.00	£1,003.33	£1,204.00
DXBLB	Hinged bath screen	Square	800	815-830	£495.83	£595.00	SPDXBLB	0-830	£768.33	£922.00	£852.50	£1,023.00	£919.17	£1,103.00	£1,003.33	£1,204.00

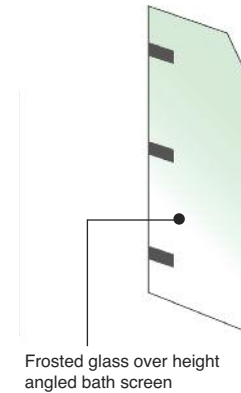
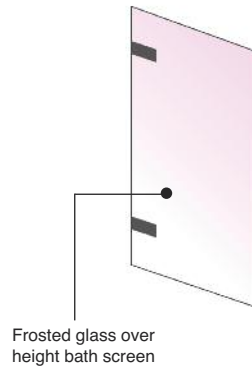
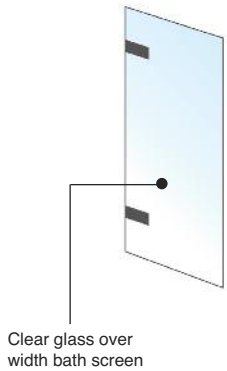
Please specify product height required when ordering (up to 2700mm)

A selection of special examples:

1 Full Bespoke Width

2 Part Bespoke
Over height (up to 2700mm) and over width (up to 1000mm)

3 Full Bespoke
Over height (up to 2700mm) and over width (up to 1000mm) and angled



Sizes/Code/Price for examples above:

Description	Enclosure Size	Stock reference	Glass finish	Total Cost
1 Full bespoke; width	1500 x 700mm	SPDXBLB	Clear Glass	£922.00 Inc vat
2 Full bespoke; over height and over width	1600 x 900mm	SPDXBLB	Frosted Glass	£1,223.00 Inc vat (*Inc £120 Inc Vat Extra)
3 Full bespoke; over height, over width and shaped	1600 x 900mm	SPDXBLB	Frosted and Angled Glass	£1,324.00 Inc vat (*Inc £120 Inc Vat Extra)

Please ring Roman Customer Sales on 01325 328034 if you require advice on any of the above information

Bespoke Planner

Complete table below for your required product and take the form along, with drawings, to your nearest Roman retailer who will fax them to Roman. For your nearest Roman retailer contact Customer Relations on 01325 328033 or visit www.roman-showers.com

Decem Enclosure							
Description	Product Code	Size required H x W mm (only if specifying bespoke size)	Glass Type required (Please tick box)				Cost £ inc vat
			Clear	Shaped	Frosted	Shaped & Frosted	
Door							
Inline Panel(s)							
Side Panel							
Total Front Height/Width (H x W mm) =							Total Cost £ inc vat
Total Side Height/Width (H x W mm) =							
Total No. of complete units required to above specification:							

Decem Wetroom Panel							
Description	Product Code	Size required H x W mm (only if specifying bespoke size)	Glass Type required (Please tick box)				Cost £ inc vat
			Clear	Shaped	Frosted	Shaped & Frosted	
Exposed Fixing Wetroom Panel							
Concealed Fixing Wetroom Panel							
'L' shaped Return Panel							
Total Front Height/Width (H x W mm) =							Total Cost £ inc vat
Total Side Height/Width (H x W mm) =							
Total No. of complete units required to above specification:							

Decem Bathscreen							
Description	Product Code	Size required H x W mm (only if specifying bespoke size)	Glass Type required (Please tick box)				Cost £ inc vat
			Clear	Shaped	Frosted	Shaped & Frosted	
Bath Screen							
Total Front Height/Width (H x W mm) =							Total Cost £ inc vat
Total Side Height/Width (H x W mm) =							
Total No. of complete units required to above specification:							

Customer Details:
Name:
Date:
Contact details:
Address:
.....
.....
Post Code.....
Telephone:
Email:
Fax:
Roman Retailer:

Additional Instructions:



Bespoke Planner (continued)
Your sketch here:

DECEM^X

Graph paper 10mm x 10mm squares

Customer Name:

Retailer:



Consumer Guide

IMPORTANT PRODUCT DETAILS

- Enclosures and screens carry a Lifetime manufacturer's guarantee if products are installed according to the installation instructions - see guarantee criteria to the right.
- Simple and clear installation instructions are included with all Roman Products.
- Selected Roman products are available for Virtual Worlds design service. For more information contact Roman Customer Relations on 01325 328033.
- Any guarantee variations are indicated separately.
- All guarantee forms supplied with installation instructions must be completed and returned to Roman within 60 days to validate the lifetime guarantee otherwise only a statutory 12 month guarantee will apply.
- All Roman Bath Screens and Enclosures are manufactured using toughened safety glass which complies to BSEN12150.
- All Roman Bath Screens and Enclosures are tested in accordance with BSEN14428 - shower enclosures, functional requirements and test methods.
- Roman's toughened glass is completely safe for use in our shower enclosures and bath screens; providing our products are installed according to our guidelines.
- It is important to note, that the glass must not be mounted or 'pinched' in such a way that would cause a stress point to develop in the glass. In addition, it must not be subjected to any sharp impact or severe temperature fluctuation which may also cause a stress point to develop in the glass.

- Roman's toughened glass is physically and thermally significantly stronger than standard glass. However a significant impact (or stress as outlined above) can cause toughened glass to break. In the event of breakage, toughened glass will break safely into small fragments in line with all relevant standards.
- All heights quoted for enclosures and bath screens are from the top of the shower tray or bath.
- All fixings are hidden on Roman products.
- The term "Silver" describes the colour of the aluminium finish. No silver metal is included in any Roman products.
- All fixings and pivot pins are manufactured from stainless steel - this adds great strength and durability to Roman products.
- All seals and gaskets on Roman products are manufactured from colourless PVC.
- Roman over-bath products are not designed for baths with shaped or stepped fronts or integral soap dishes.
- The design rights of these products are owned by Roman Limited. All rights reserved.
- For compatibility of Roman enclosures with steam generators please contact Roman Customer Relations for advice on 01325 328033.
- Where indicated that products are suitable for use with steam generators, this refers to the performance of the product components. We do not however suggest that the product will have complete steam integrity.

Roman have an ongoing policy of design, development and improvement and thus reserve the right to modify specification, ranges and prices without prior notice. Images are for illustration purposes only - please refer to your retailer as site conditions will vary or contact Roman Customer Relations on 01325 328033 for installation specifications.



Roman shower enclosures have been tested and fully conform to the scope and relevant characteristics of BS EN14428:2008+A1 (Shower Enclosures - Functional requirements and test methods), to meet the requirements of the mandate given under the EU Construction Product Directive (89/106/EEC).

As a result of full compliance to the directive and harmonized standard; Roman shower enclosures carry the 'CE' mark and are accompanied by a declaration of performance. (Available to view on www.roman-showers.com)

The CE marking indicates Roman shower enclosures conform to all essential requirements of European health and safety and environmental protection legislation. The conformity is mandatory, and allows Roman products to be legally placed on the market anywhere in the European Economic Area.

Additionally all Roman trays fully conform to EN14527:2006+A1 2010.

Protecting the Environment - Roman's Ecodentials

Roman is committed to caring for the environment and as a reflection of this commitment we became fully accredited with ISO 14001 certification in 2009. We see looking after the environment as an important part of being a UK business and UK manufacturer. As a business we care for the environment in two ways - by improving our systems to reduce our carbon footprint and impact on the environment. We strive for continual improvement in this area. For more information on how we are taking care of the environment visit our website: www.roman-showers.com and view our full list of ecodentials.



EMS 523823



All Roman Shower Enclosures and Bath Screens and Trays are manufactured in the UK.



Roman brochures are printed on stock sourced from sustainable forests.



All waste is segregated 100% into recyclables and non-recyclables to minimise what is sent to landfill. Due to our proactive approach in 2012, we recycled 93% of our waste, sending only 7% to landfill.



In 2011 year we replaced 8 vehicles with Euro 5 compliance engine vehicles saving 22% on emissions. Company car policy has been updated so only vehicles with less than 125 grams of CO₂'s per Kilometre can be used in the fleet. Overall company CO₂ reduction since 2009 is 20%.

Consumer Information and Product Guarantee



Product Guarantee

Roman Ltd. guarantees all shower enclosures and bath screens against faulty materials or manufacture for LIFE, provided they have been installed, used and maintained in accordance with our instructions.

All Roman product guarantees must be completed and returned within 60 days of purchase to validate the relevant guarantee. Failure to meet this deadline will result in a statutory 1 year guarantee on all products.

Should a claim arise, Roman Ltd. Customer Relations will investigate the issue. As part of this investigation we request that the following conditions be satisfied:

1. Proof of purchase at the time of the claim.
2. The guarantee applies to the original purchaser only and is non transferable.
3. The product has been fitted / installed in accordance with Roman Ltd. fixing instructions, local bylaws and general good plumbing practice
4. The product has been maintained and cared for in accordance with our instructions (including regular and appropriate cleaning).

If in our opinion the product has been modified, misused, neglected, willfully or accidentally damaged, we can accept no responsibility for failure.

Roman Ltd. or its representatives must be given the opportunity to inspect the product in the installed condition.

Should any products included in the lifetime guarantee be used for commercial use i.e. leisure clubs, schools, hospitals, student accommodation, hotels or residential homes, only a 5 year guarantee will be applicable.

If in our opinion the product fails due to faulty materials or manufacture and that the conditions above have been met, Roman Ltd. will arrange for a specialist Roman Technical Representative to repair or replace that item at our option.

Roman Ltd. believes in continuous improvement. If in our opinion the product has failed under the terms of the guarantee and a replacement is offered but identical goods are no longer available, Roman Ltd. will replace it with our nearest equivalent product.

For countries outside of the UK and Republic of Ireland, where a product has failed due to faulty materials or manufacture, a replacement product or product part will be offered only.

Should Roman Ltd. carry out work as a result of a claim but subsequently it is revealed that the product has been abused or improperly installed, we reserve the right to charge the customer for the expense incurred.

The liability of Roman Ltd. is limited to the product supplied by Roman Ltd. and does not extend to consequential loss or damage arising from the defective product.

This guarantee, which is effective for products purchased after February 1st 2006, states our entire liability and is offered to customers acquiring our products as consumers, not in the course of trade or business. Ex displays or products reinstalled from their original position are not covered under this guarantee.

Non glass or metallic parts (e.g. seals) are subject to normal wear and tear through usage and are therefore covered on all products for 1 year from installation.

Roman Ultra Care pre-coat is not covered by this guarantee and it must be maintained by applying Ultra Care from a bottle on an ongoing basis.

Roman products not included in the lifetime guarantee include all Roman Accessories, Roman Shield® tanking products and the Roman Wall® designer panelling system which are covered for 10 years, Roman Shower Valves which are covered for 1 year and Roman Shower Trays which are covered for 1 year. All guarantees registered for shower enclosures or bath screens between March 1st 1998 and February 1st 2006 are subject to a 10 year guarantee.

This guarantee does not affect your statutory rights.

This guarantee is wholly applicable in the U.K. and Republic of Ireland - export conditions as indicated.

Roman Ltd
Whitworth Avenue, Aycliffe Business Park,
County Durham, DL5 6YN
Tel: 01325 311318 Fax: 01325 319889
www.roman-showers.com

