

PRINCESS

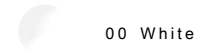
Rectangular steel bath with anti-slip base (2.4 mm sheet)



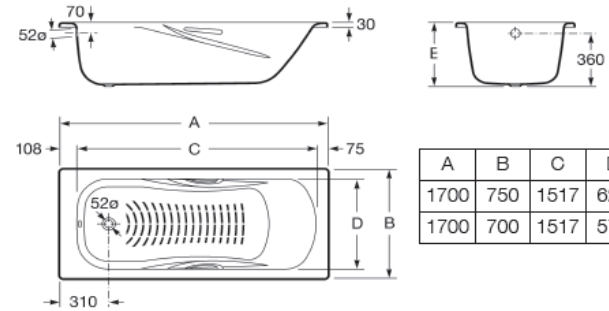
DIMENSIONS

Length 1700 mm
 Width 750 mm
 Height 415 mm

COLOURS AND FINISHES



TECHNICAL DRAWINGS



FEATURES

- Anti-slip type: Added
- Capacity (people): 1
- Drain: Not included
- Installation legs: Optional legs
- Installation structure: Naked
- Installation type: Drop-in, With front panel
- Internal height (mm): 420
- Internal length (mm): 1517
- Internal width (mm): 620
- Material: Steel
- Shape: Rectangular
- Sound insulation
- Taphole configuration: 2 tapholes (diameter 36mm)
- Water capacity to overflow (l): 215



Slip-resistant base (anti-slip)

COMPATIBLE WITH



handel® set for tube

526804310

Princess

Basic and simple lines that adapt to the human body to provide moments of well-being on a day-to-day basis. This collection offers a sober finish, where functionality and elegance join forces in perfect and thought-provoking harmony. A compact, top-quality and robust piece.

