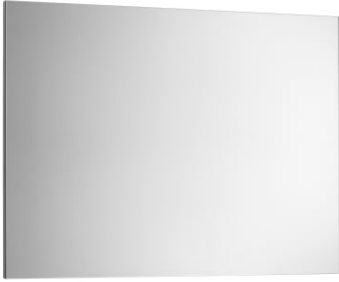
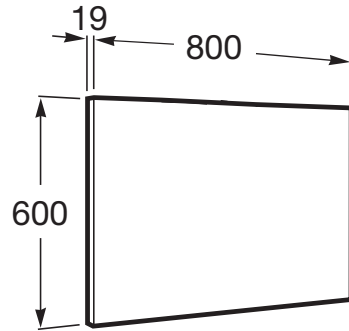


NEW VICTORIA

Mirror



TECHNICAL DRAWINGS



FEATURES

- Frame material: Chipboard
- Installation type: Wall-hung
- Mirror orientation: Horizontal
- Shape: Rectangular

New Victoria

Functional design and simplicity are common features to every piece of this collection, which is quickly and easily adapted to the bathroom space, providing a pure and neutral design to the bathroom.



INSTALLATION AND USER MANUALS

[User manual](#)[Installation manual](#)