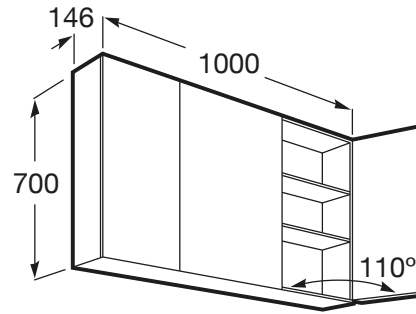


LUNA

Mirror cabinet



TECHNICAL DRAWINGS



FEATURES

Door type: Hinged

Frame material: MDF

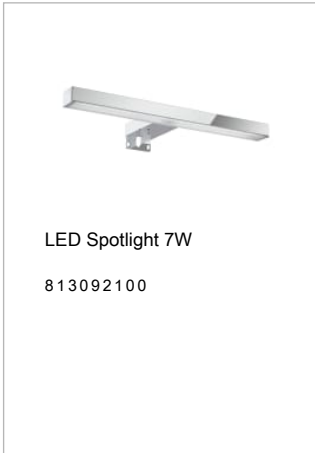
Installation type: Wall-hung

Integrated shelf

Mirror orientation: Vertical

Number of doors: 3

Shape: Rectangular

COMPATIBLE WITH

Luna

Balance and perfection in a design that gets its inspiration from the full Moon as a source of light and freshness. This collection is a versatile, young and urbane proposal that can adapt to any kind of design space, combining practicality, elegance and design.

**INSTALLATION AND USER MANUALS**

 [Installation manual](#)

 [Installation manual](#)