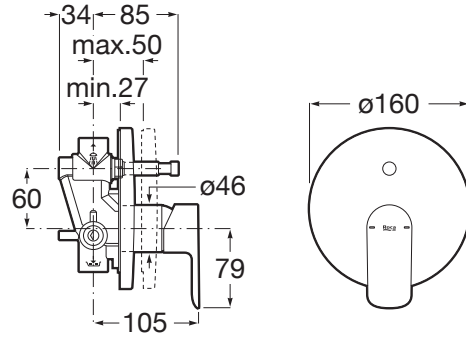


CALA

Built-in bath-shower mixer with automatic diverter and 2 outlets



TECHNICAL DRAWINGS



FEATURES

Application: Bath

Diverter: Automatic

Faucet type: Single-lever

Installation type: Built-in

Net weight (kg): 1.73

Water and energy-saving

Water connection diameter: 1/2"



EverShine



SoftTurn®

COMPATIBLE WITH



100/3. Handshower with 3 functions: Rain, Tonic and Pulse

5B1B03C00



Straight wall arm for shower head

5B0250..0



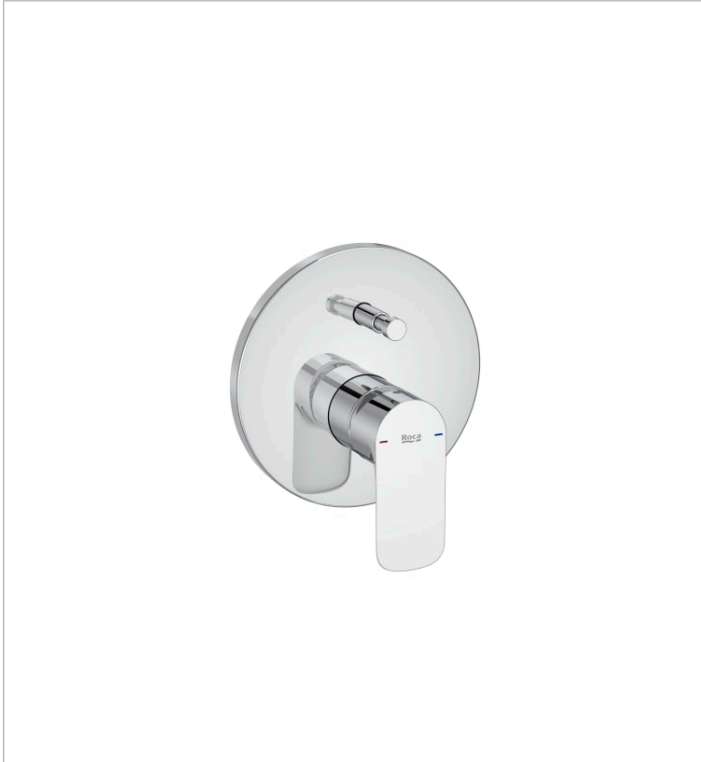
Straight wall arm for shower head

5B0250C00



1/2" chromed water inlet for shower hose with integrated bracket for hand shower

5B5250C00



Cala

The essence of Cala's design is demonstrated in a slim body of only 38mm and its flat rectangular handle, in perfect harmony with the shape of the spout; the ultimate blend of visual elements combined for optimal proportion and style. This comprehensive collection features a range of basin taps, bath shower mixers and bidet options.



INSTALLATION AND USER MANUALS



[Installation manual](#)