

Description

The HYDRAPRO® FT rainwater filter is suitable for larger roof areas. Its patented design enables installation with minimal height difference between inlet and outlets. Only 80mm.

A unique filter spray wash system reduces maintenance.

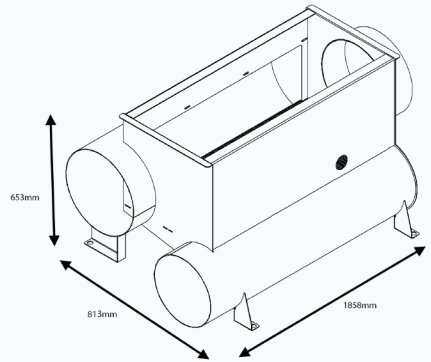
Spigot connections suitable for straight or flexible couplings ensure easy installation.

As well as traditional below ground installations the HYDRAPRO® FT filters are equally suitable for externally mounted installations or within buildings. Options for flanged connections and seal covers enhance this functionality.



Product Advantages

- Suitable for pre-tank, in-tank or internal building installations
- Self cleaning to aid filter performance & reduce maintenance
- Minimum height difference of 80mm between inlet and outlet
- >90% efficiency
- Robust Stainless Steel build



Filter Model	Inlet and Waste Outlet Connections Size (mm)	Outlet to Tank Connection Size (mm)	Inlet to Waste (mm) Invert Drop	Invert Drop Inlet to Tank Outlet (mm)
FT5	300	300	70	258

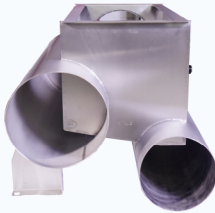
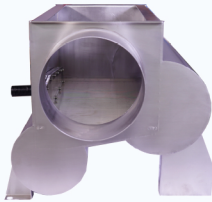
Filter Model	Length (mm)	Width (mm)	Height (mm)
FT5	1004	706	600

Technical Data


Filter body construction:
2mm AIS 304 Stainless Steel
built to British Standard BS 8515


Filter plate:
0.75mm aperture - AIS 304
Stainless Steel

Weight: FT5- 52Kgs



 HYDRAPRO® Products
Unit 8B, Loguestown Ind. Est.
Coleraine
N. Ireland
BT52 2NS

 00 44 (0)28 7032 7072

 00 44 (0)28 7035 8334

 contact@hydrapro.eu

 www.hydrapro.eu

