



REFERENCE BOOK





Almost everything starts with a dream, a vision. With imagination, enthusiasm and a little help from Reynaers, your dream becomes a project that will soon become reality.

Reynaers has developed a leading position in the aluminium industry in Belgium and in the rest of the world. We have achieved this position through reliable partnerships with every one of our stakeholders. Whether it's the investors, engineers, architects, suppliers, sales people or project developers... we all work closely together to reinforce our position as a best in class provider of standard systems or matching solutions for the needs of your projects.

Our team strives to keep expanding its knowledge and dynamism by staying in close contact with all our stakeholders. We are convinced that these close partnerships allow us to keep responding to our partners' needs and that it supports us in strengthening our position as a reliable and inspirational partner.

Some breathtaking projects that we have done together with our partners can be found in this reference book and are proof of our superb technical quality and our dedication to keep meeting the highest demands in architectural excellence.

You can rest assured that with Reynaers, your project is in the right hands from start to finish. Not only today, but also in the future we will keep working...

TOGETHER FOR BETTER!

TOGETHER FOR BETTER

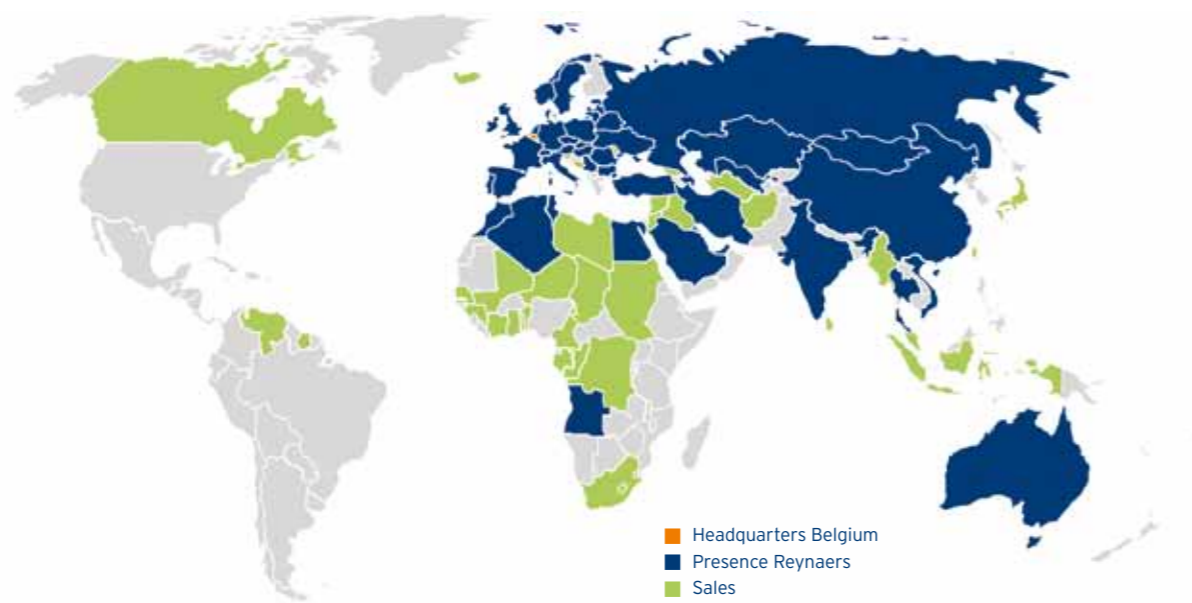
Our success is the result of a close collaboration with our partners. Our projects are living proof of the synergies we have created with investors, suppliers, project developers, architects and fabricators all over the world. We want our clients to know that they can count on us, today and in the future. As long as we work together, we will continue to improve our designs and systems. So let's work together. **Together for Better.**

12 | 24

THE REYNAERS INSTITUTE

To support the internal and external exchange of knowledge and information amongst all stakeholders, we have created the Reynaers Institute. It is an international meeting place and source of inspiration that motivates us to join forces and work on the building vision of the future. The Reynaers Institute houses one of the largest private test centers with dedicated installations for all relevant official tests according to European standards. You can visit the Reynaers Institute for trainings and seminars, general company visits, demonstrations of machines and testing.

36



42

FACTS & FIGURES

Reynaers Aluminium, established in 1965 is currently present in more than 30 countries and exports to more than 60 countries worldwide. Reynaers is considered by all players in the industry as one of the leaders in its business. In 2011 the Reynaers group achieved a turnover of 300 million euros (26 000 tons of aluminium) and has 1200 employees throughout the world.

52

66

84

98

AIRPORTS

Reynaers system :
CW 50-SC

INTERNATIONAL AIRPORT KHARKIV

Architect : Archstone Architect bureau,
director Saratov Alexander
Location : Ukraine, Kharkiv

This spacious and light new terminal building
was built for the UEFA European Cup 2012,
taking place in Ukraine.



Reynaers system :
CW 86

AIRPORT-PIER SEGREGATION HEATHROW

Architect : Common Product Team, BAA
Location : United Kingdom, Heathrow

Reynaers based the design of the modules on its successful CW 86 unitised curtain wall system and worked closely with the airport authority to ensure the structural rigidity of the combined assembly.

BRNO TURANY TERMINAL

Architect : Petr Parolek
Location : Czech Republic, Brno

A friendly alien has landed at BRNO airport.
The form of the building reminds of the
aesthetics of an airship.



Reynaers systems :

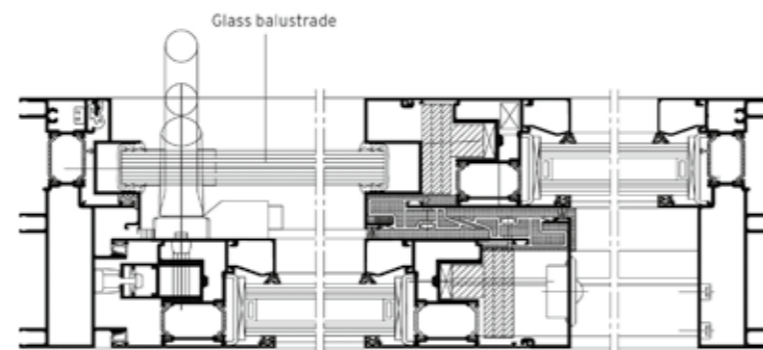
CS 77, CP 155-LS
monorail bespoke
solution

ESTORIL SOL

Architect : Gonçalo Byrne
Location : Portugal, Cascais

Full-height windows allow a magnificent view
of the sea and create a spacious feeling.

RESIDENTIAL-PROJECTS



CP 155-LS monorail : horizontal section



AIRPORTS

RESIDENTIAL

HOSPITALS

HOTELS

LEISURE

OFFICE BUILDINGS

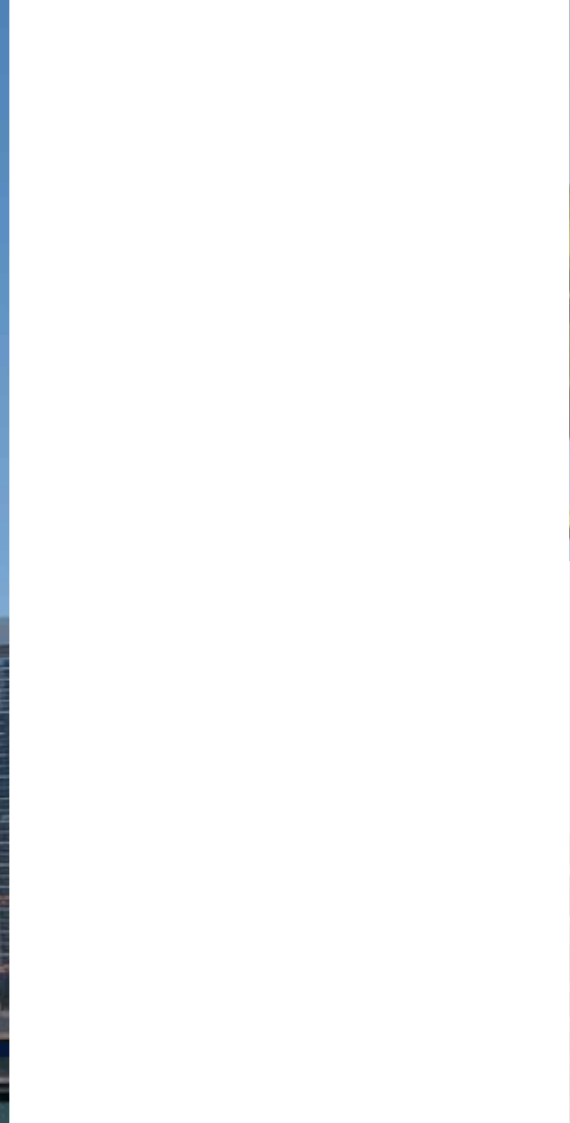
PUBLIC BUILDINGS

EDUCATION





Reynaers systems :
CW 50-SC,
CP 50Pa



BAYSIDE RESIDENCE

Architect : Archgroup Consultants
Location : United Arab Emirates,
Dubai Marina

Light and views are key themes in this
luxurious residential complex.



Reynaers systems :
CP 45Pa, CP 50,
CS 59, CS 59Pa

XINTIANDI APARTMENTS

Architect : Hebei Architect Bureau
Location : China, Xintiandi

11 towers form this high-end residential
complex in the city centre of Shanghai.



BALANCING BARN

Architect : MVRDV - Winy Maas
Location : United Kingdom, Suffolk

The large protruding section meant that it was possible to place a large sliding window in the floor as a complement to the architectural spectacle.

Reynaers systems :

CP 155
monorail







WHITE SAILS

Architect : Beletage Design Group

Location : Ukraine, Odesa

The White Sails residential complex looms up on the horizon like an enormous sailing ship.

Reynaers systems :

CW 50, CS 77-HV

RESIDENTIAL-PRIVATE

Reynaers systems :
CS 68, CP 155

VILLA OISTERWIJK

Architect : M30 Architecten
Location : The Netherlands, Oisterwijk

Sustainable energy installations and contemporary design bring this luxury villa to a new dimension.



AIRPORTS

RESIDENTIAL

HOSPITALS

HOTELS

LEISURE

OFFICE BUILDINGS

PUBLIC BUILDINGS

EDUCATION

PRIVATE HOUSE ZVEZDITZA

Architect : Bignatov studio

Location : Bulgaria, Varna

In summer the house benefits from the conservatory's natural cross ventilation, while in the winter the residents enjoy its greenhouse effect.

Reynaers systems :

CS 77, CW 50-HI,
CW 50-RA



Reynaers systems :

CS 77, CS 86-HI,
CP 155 monorail,
CW 50

VILLA VANACKER SISSAU

Architect : Mark Van Acker
Location : Belgium, Loppem

On the interior surface of the L-shape, the residence is completely open towards the heart of the plot, the garden.



VILLA BONITZBERG

Architect : Oxen & Partner
Location : Germany, Bonitzberg

Generously sized panes of glass open up this villa to its beautiful surroundings, thereby not only taking advantage of the superb topographical situation of the building site but also creating light and spacious interior areas.

Reynaers systems :

CS 86-HI,
CP 155





PRIVATE HOUSE UZNACH

Architect : Daluz/González Architekten
Location : Switzerland, Uznach

The building consists of three staggered boxes, which are completely opaque on the side facing the public road and completely transparent on the side facing the garden.

Reynaers systems :
CP 155





Reynaers systems :

CS 86-HI,
CW 50-HI

PLZEŇ UNIVERSITY HOSPITAL

Architect : Jan Lacina

Location : Czech Republic, Plzeň

A new oncology ward for the Plzeň University Hospital with a clearly arranged layout.

HOSPITALS



AIRPORTS

RESIDENTIAL

HOSPITALS

HOTELS

LEISURE

OFFICE BUILDINGS

PUBLIC BUILDINGS

EDUCATION



Reynaers system :
CW 50

HOSPITAL DE FIGUEIRA DA FOZ

Architect : Luís S. Neto Arquitecto &
Associados

Location : Portugal, Figueira da Foz

The emergency division of this hospital is
foreseen with the latest energy- and safety
control management systems.





Reynaers system :
BS 100

SAMITIVEJ SUKHUMVIT HOSPITAL

Architect : Teac Co.

Location : Thailand, Bangkok

A new wing was added to the existing building, with a design that matches that of the main hospital while adding a more modern, stylish touch.

Reynaers system :
CW 50-SC

DERBY CITY HOSPITAL

Location : United Kingdom, Derby

The BS 100 sunshading system provides extra comfort for the residents of this hospital.



HOTELS

RAMADA HOTEL

Architect : The Pritchard Group
Location : United Kingdom, Cannock

A landmark hotel in Cannock with a modern décor and clean lines.

Reynaers system :
CW 60





Reynaers systems :
CP 45Pa,
CS 59Pa

**GRAND PACIFIC SOVEREIGN
RESORT & SPA**

Architect : Tigon Design Group
Location : Thailand, Cha-Am

A five-star hotel at the Cha-Am beach:
energy-efficient, and in a contemporary
Thai style.



Reynaers systems :

CS 59-CD, CS 68,
CS 68-HV,
CW 50-HL



RENAISSANCE HOTEL

Architect : Cuatrefolio
Location : Spain, Barcelona

Effervescent elegance in a new hotel close
to Barcelona airport.





Reynaers systems :
 CS 68, CW 50,
 CW 50-HL,
 bespoke solutions



CROWNE PLAZA HOTEL

Architect : Groupe h, Hervé Dessimoz
 Location : Switzerland, Geneva

The extension of this hotel consists of a separate wing with an individual, modern character thanks to its impressive façade. The windows are not visible from the outside, thus preserving privacy; yet afford wonderful panoramic views of the Alps and Jura mountains.



Reynaers systems :
 CW 50, CW 86

ASPIRE TOWER

Architect : Hadi Simaan
 Location : Qatar, Doha

A concrete core surrounded by a double skin façade.

MÉDIACITÉ

Lead Architect : Ron Arad
Executive Architect : Jaspers & Evers
Location : Belgium, Liège

A new shopping centre that weaves like a snake through an old suburban district in the heart of Liège, adding a fresh touch to this part of the city by combining bold architecture with sustainable technology.

Reynaers systems :

CS 68,
CW 50-SC

LEISURE



AIRPORTS

RESIDENTIAL

HOSPITALS

HOTELS

LEISURE

OFFICE BUILDINGS

PUBLIC BUILDINGS

EDUCATION



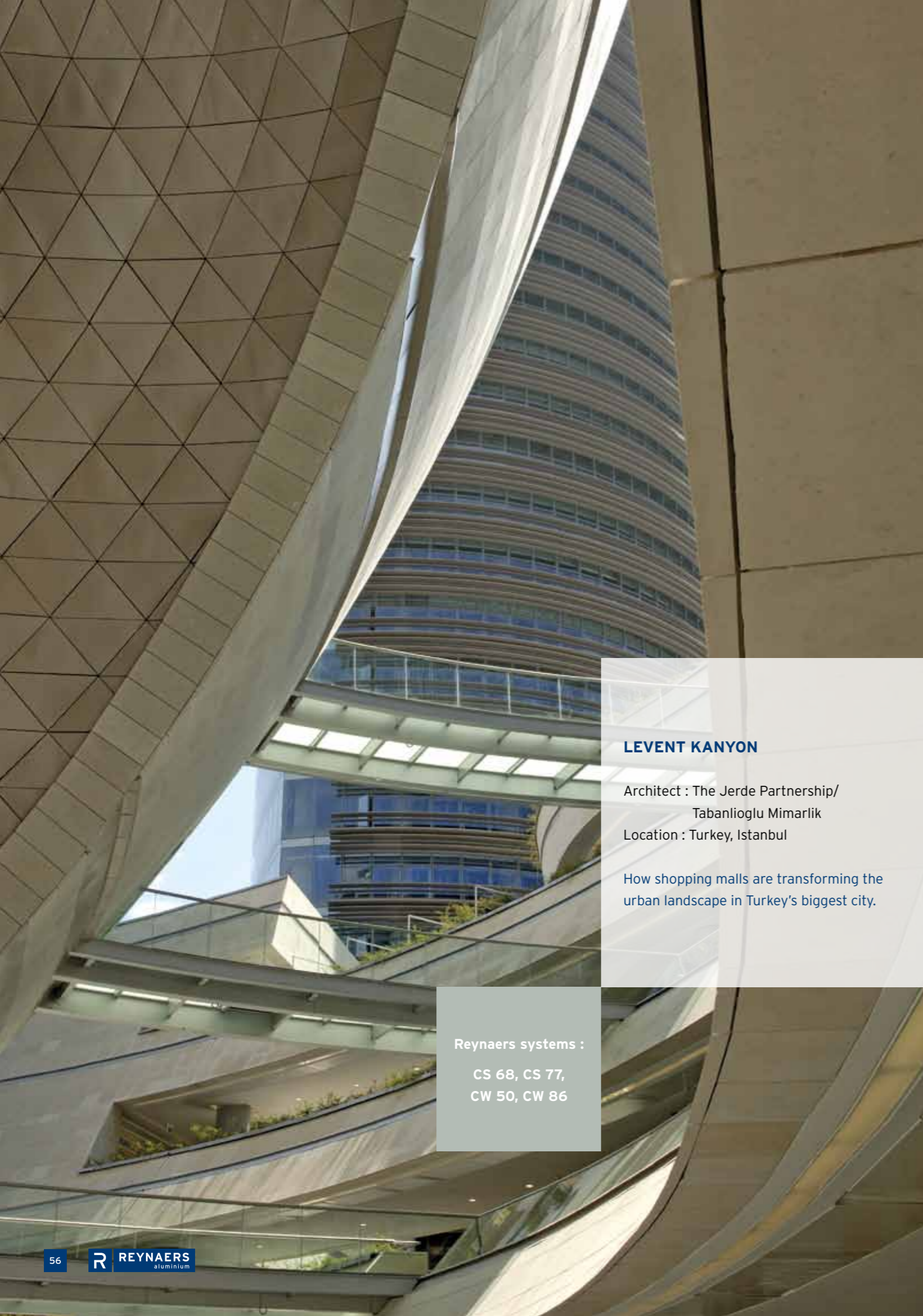
Reynaers system :
CW 50-SC

MUSEUM EXTENSION BERN

Architect : :mlzd
Location : Switzerland, Bern

There is a dialogue between the old and the new in terms of materials and surface structure.





LEVENT KANYON

Architect : The Jerde Partnership/
Tabanlıoğlu Mimarlık
Location : Turkey, Istanbul

How shopping malls are transforming the
urban landscape in Turkey's biggest city.

Reynaers systems :
CS 68, CS 77,
CW 50, CW 86



Reynaers systems :
CW 86-EF

FERRARI WORLD ABU DHABI

Architect : Benoy Architects
Location : United Arabian Emirates, Abu Dhabi

Reynaers designed nearly thirty new profiles,
twelve new gaskets and countless fittings for
this spectacular project in Abu Dhabi.
For the enormous funnel in the middle of the
210.000 m² roof surface, a bespoke façade
solution was developed that, due to the
special shape of the funnel, was mounted on
a 3D steel support system.



NATIONAL MUSEUM

Architect : KKM Kozień Architects
Location : Poland, Przemyśl

A brand new building for the museum of the
Przemyśl region.

Reynaers systems :

CW 50, CS 68,
CS 59Pa, ES 50



**HISTORIAL DE LA VENDÉE
MUSEUM**

Architect : Plan01
Location : France, Les Lucs-sur-Blogne

The building plan revealed an evident wish
to merge the Historial into the landscape.

Reynaers systems :
CW 50





Reynaers systems :
CW 50, BS 100

TEATRO MUNICIPAL NÚRIA ESPERT

Architect : BOI Arquitectes
Location : Spain, Sant Andreu de la Barca

The atrium, made from the CW 50 system, incorporates photovoltaic cells, allowing the building to supply a large part of its own energy needs.



COCA-COLA HEADQUARTERS

Architect : DL+A arquitectos asociados
Location : Spain, Madrid

The vented façade evokes a rather ambiguous image, because the division of the surface caused by the panes is reminiscent of layers of rock.

Reynaers systems :
CS 68, CW 50,
CW 50-SC,
CW 50-SL, CW 86

OFFICE BUILDINGS



AIRPORTS

RESIDENTIAL

HOSPITALS

HOTELS

LEISURE

OFFICE BUILDINGS

PUBLIC BUILDINGS

EDUCATION

SOPHARMA LITEX BUSINESS TOWERS

Architect : Architectonika studio
Location : Bulgaria, Sofia

For this highly energy-efficient landmark in the centre of Sofia, Reynaers developed a unique bespoke solution that combines a double skin breathing façade based on CW 86-EF, CS 86-HI and the French technology for "façades respirantes" in one.

Reynaers systems :
Double skin element
breathing façade
and CS 86-HI

sopharma business towers



Reynaers systems :
CW 60-SC, CS 77



AMBAR ENGINEERING AND INNOVATION CENTRE

Architect : Sobrellano Arquitectos
Façade Engineer: Strain Engineering S.L.
Location : Spain, Santander

Each frame and glass surface is of a different size, creating the building's unique appearance.



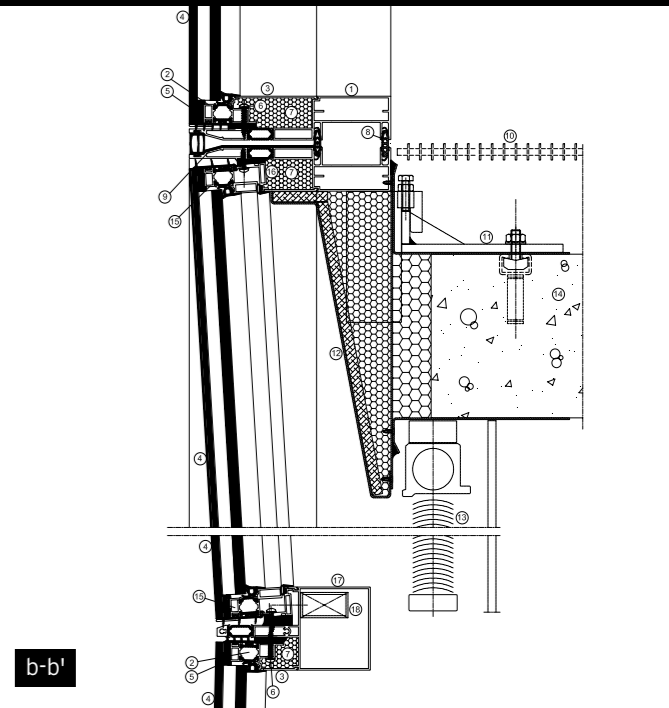
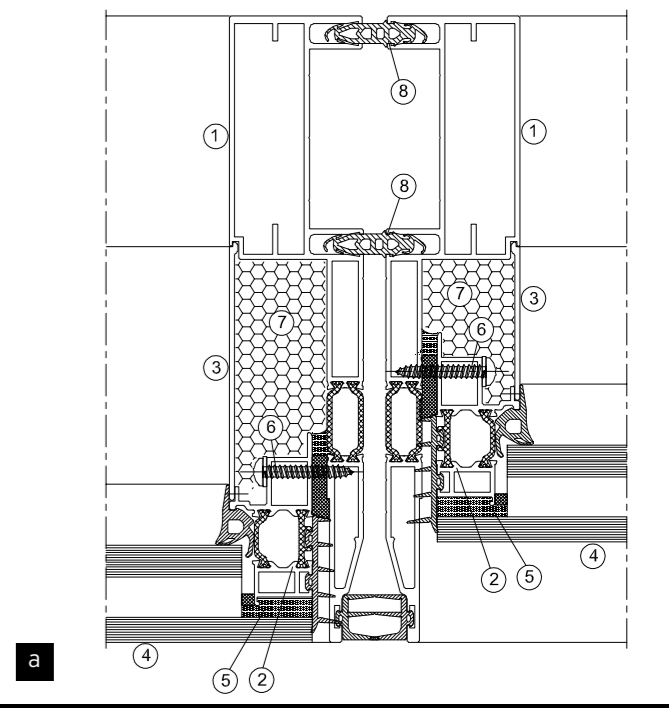
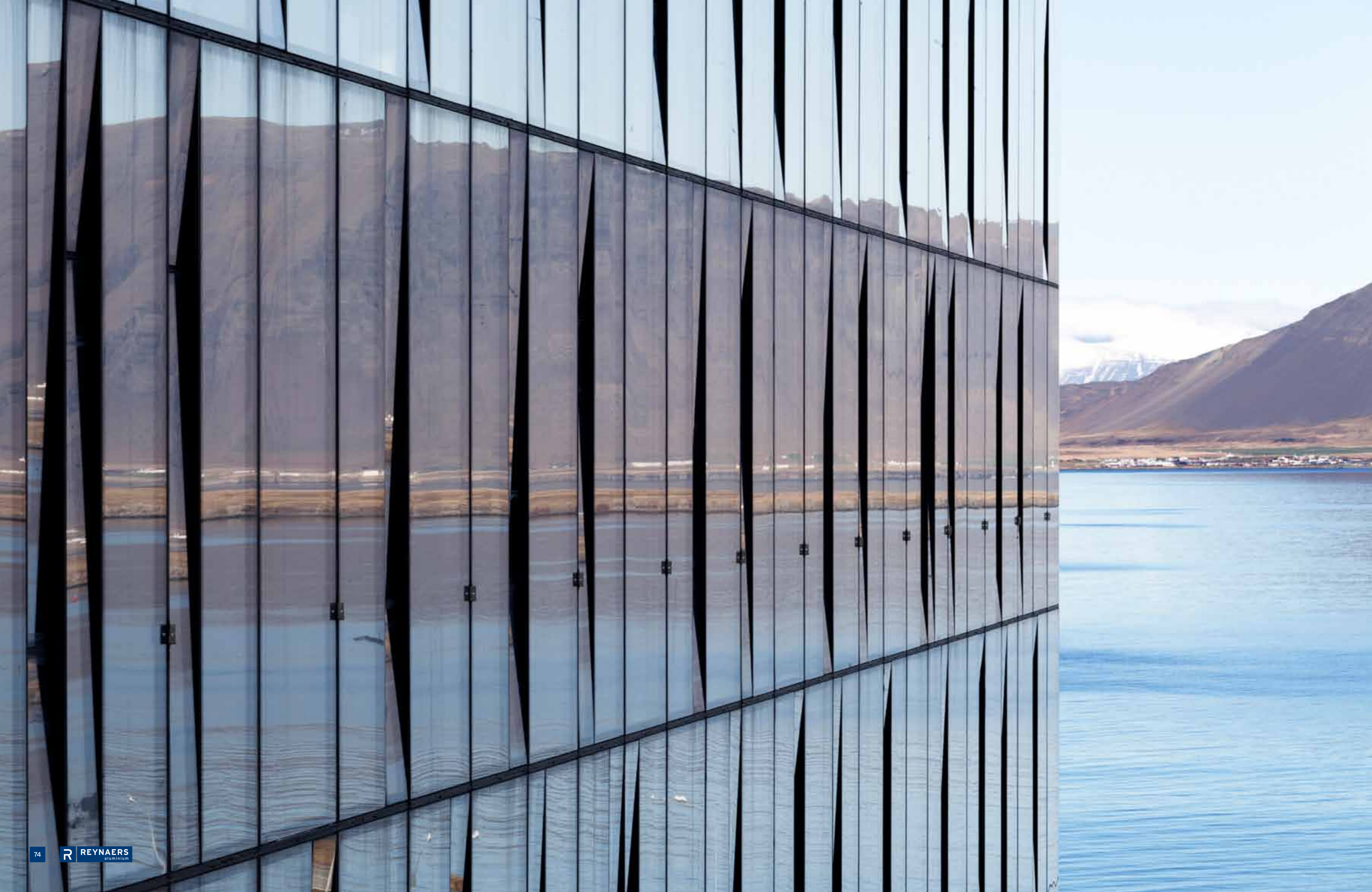
DUNTES NAMI

Architect : Projektesanas Birojs ARHIS
Location : Latvia, Riga

A colourful office block with Op-Art effects
in the façade.

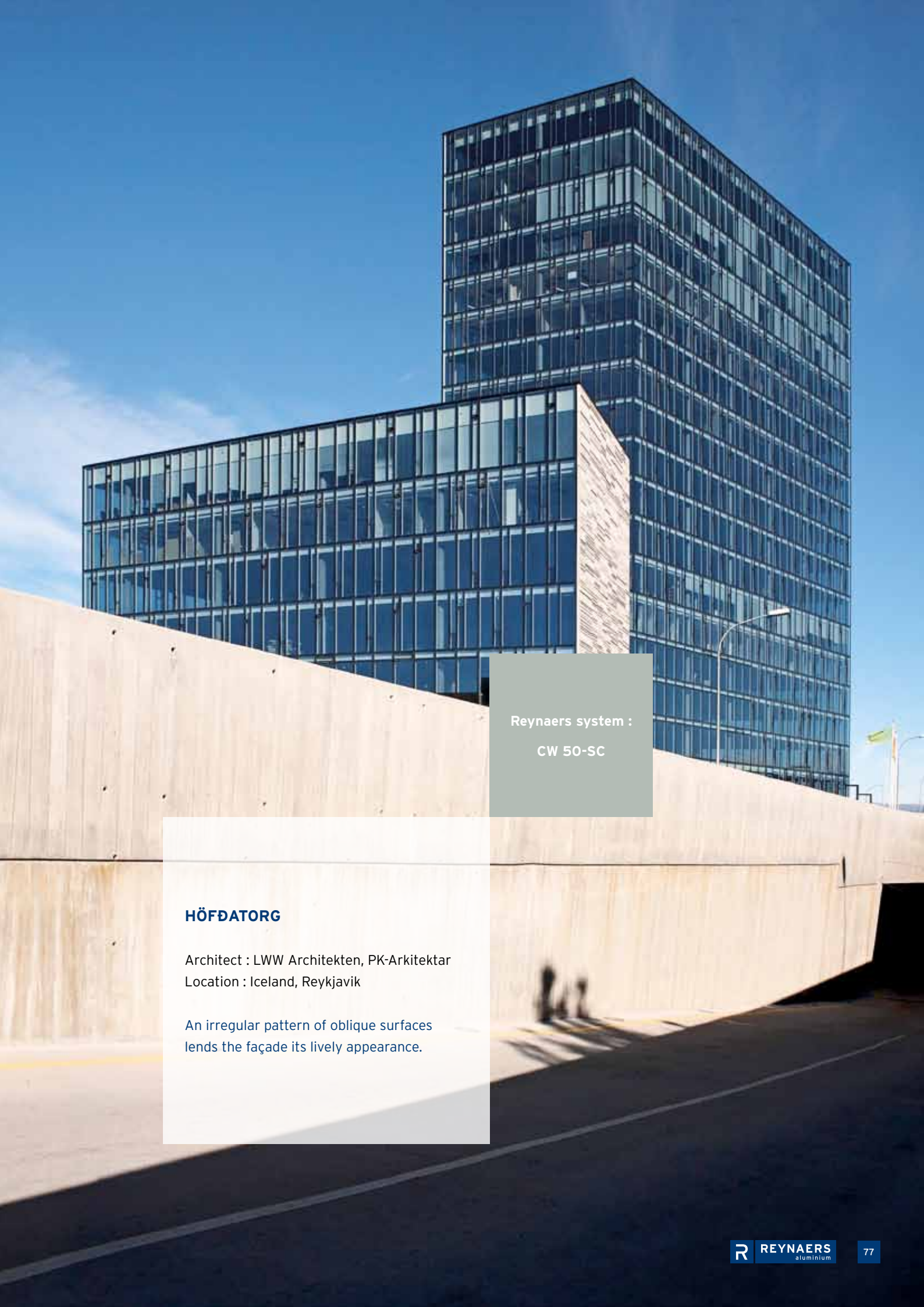
Reynaers systems :
CS 68, CW 50





Overview element sections:
 a : horizontal section sloped glass parts
 b-b' : vertical section with sloped glass parts

- 1. Outer frame
- 2. Thermal broken glass frame
- 3. Clips profile
- 4. Vision glass
- 5. Structural silicone sealant
- 6. Screw fixation
- 7. Insulation
- 8. EPDM linking gasket
- 9. Continuous gasket
- 10. Ventilation grid
- 11. Brackets
- 12. Fire screen
- 13. Sun blind
- 14. Concrete floor
- 15. Thermal broken vent
- 16. Outer frame for vent
- 17. T-profile
- 18. Motor for vent



Reynaers system :
CW 50-SC

HÖFÐATORG

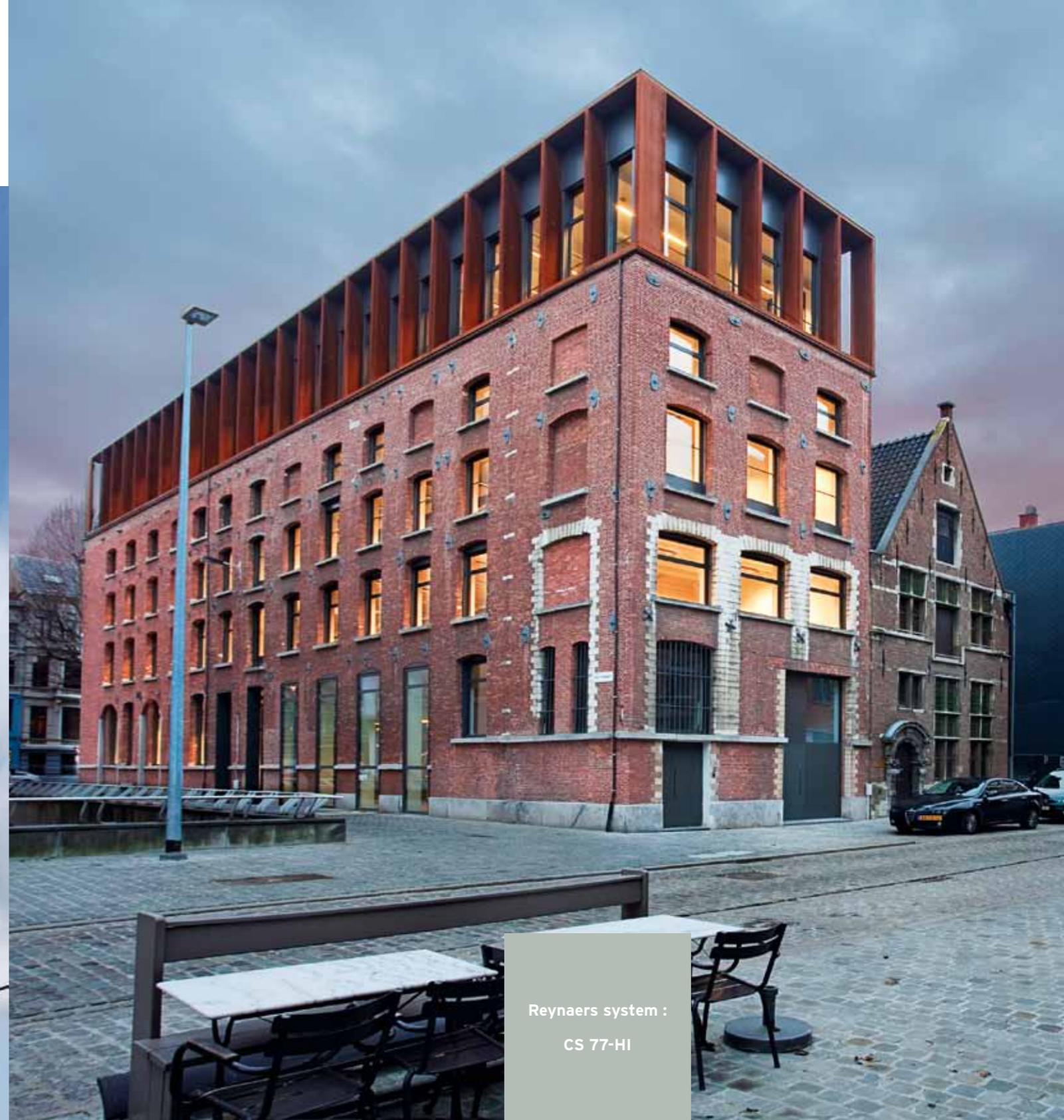
Architect : LWW Architekten, PK-Arkitektar
Location : Iceland, Reykjavik

An irregular pattern of oblique surfaces
lends the façade its lively appearance.

ZÁPÁDNÍ MĚSTO (CITY WEST)

Architect : AHK architekti s.r.o.
Location : Czech Republic, Prague

These administrative buildings have created more than 100.000 m² of floor space.

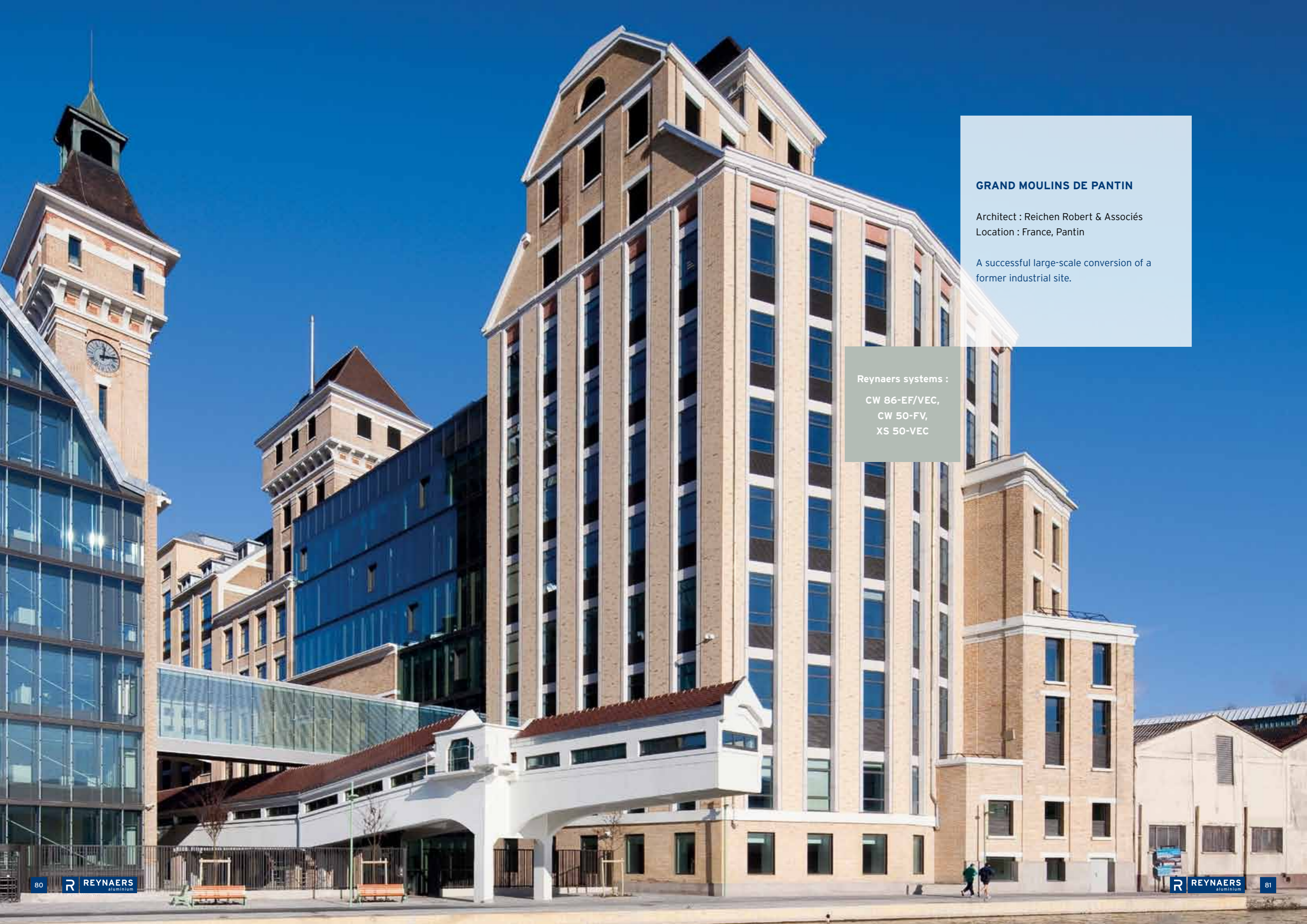


Reynaers system :
CS 77-HI

SD WORX

Architect : Stramien cvba in cooperation
with Cenergie cvba
Location : Belgium, Antwerp

The skilfully renovated Kendall warehouse in Antwerp has been transformed into a contemporary office building featuring a new transparent roof structure and an energy-efficient concept for heating and cooling.



GRAND MOULINS DE PANTIN

Architect : Reichen Robert & Associés

Location : France, Pantin

A successful large-scale conversion of a former industrial site.

Reynaers systems :

CW 86-EF/VEC,
CW 50-FV,
XS 50-VEC



Reynaers systems :
CS 59, CS 77,
CW 50, CW 50-SC

YAPI KREDI BANK ACADEMY

Architect : Teget Architecture
Location : Turkey, Istanbul

The new academy block consists of two thick copper bars protruding from the corner of the complex at a 45-degree angle.



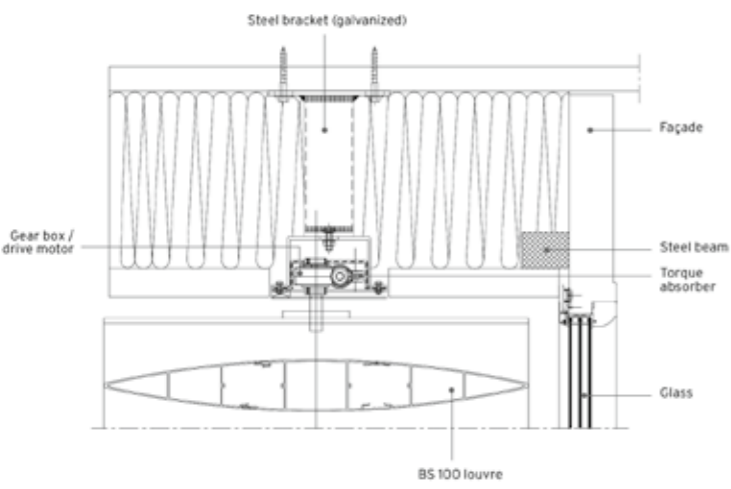
RAMS BUSINESS CENTRE

Architect : Arhi-Grup
Location : Romania, Bucharest

The coloured strips transform the scale of the building, creating an impression that it consists of layers - an impression only partly based on reality.



Reynaers systems :
CS 68, CW 50



BS 100 : vertical section

PUBLIC BUILDINGS

Reynaers system :
BS 100



**BREINTENWANG
COMMUNITY CENTRE**

Architect : Barbist Architektur
Location : Austria, Breitenwang

A high-tech construction with a remarkable energy concept and plenty of comfort.

MUNICIPAL CENTRE

Architect : JAD, A.E. Paslaitis,
T. Balciunas, G. Paslaitis
Location : Lithuania, Vilnius

As a public building, the design should not be distinguished by ornamentation, opulence or decoration. Instead, priority was given to quality, durability, functionality, and low-cost operation and maintenance.

Reynaers systems :
CS 68, CW 50,
CW 86



Reynaers systems :
CS 59, CS 68,
CW 50

KARAVAEVI DACHI

Architect : Kuz. V.P., Bahareva M.M.,
Oliylyk V.A.
Location : Ukraine, Kiev

The renovated passenger hall of the Karavaevi Dachi station is now superbly equipped to provide its passengers with quick, quality service.



**TOWN HALL
SANT VICENT DEL RASPEIG**

Architect : AIC EQUIP (Jose Ramón Tormo,
Juan Añón, Rafa Martínez,
Gemma Martí & Ramón Calvo)
and Jose Luís Camarasa

Location : Spain, Allicante

This town hall provides a changing façade of
100 meters, transparent and luminous, that
invites citizen accessibility.

Reynaers system :
BS 100



TOWN HALL LOMMEL

Architect : Crepain Binst Architecture nv
Location : Belgium, Lommel

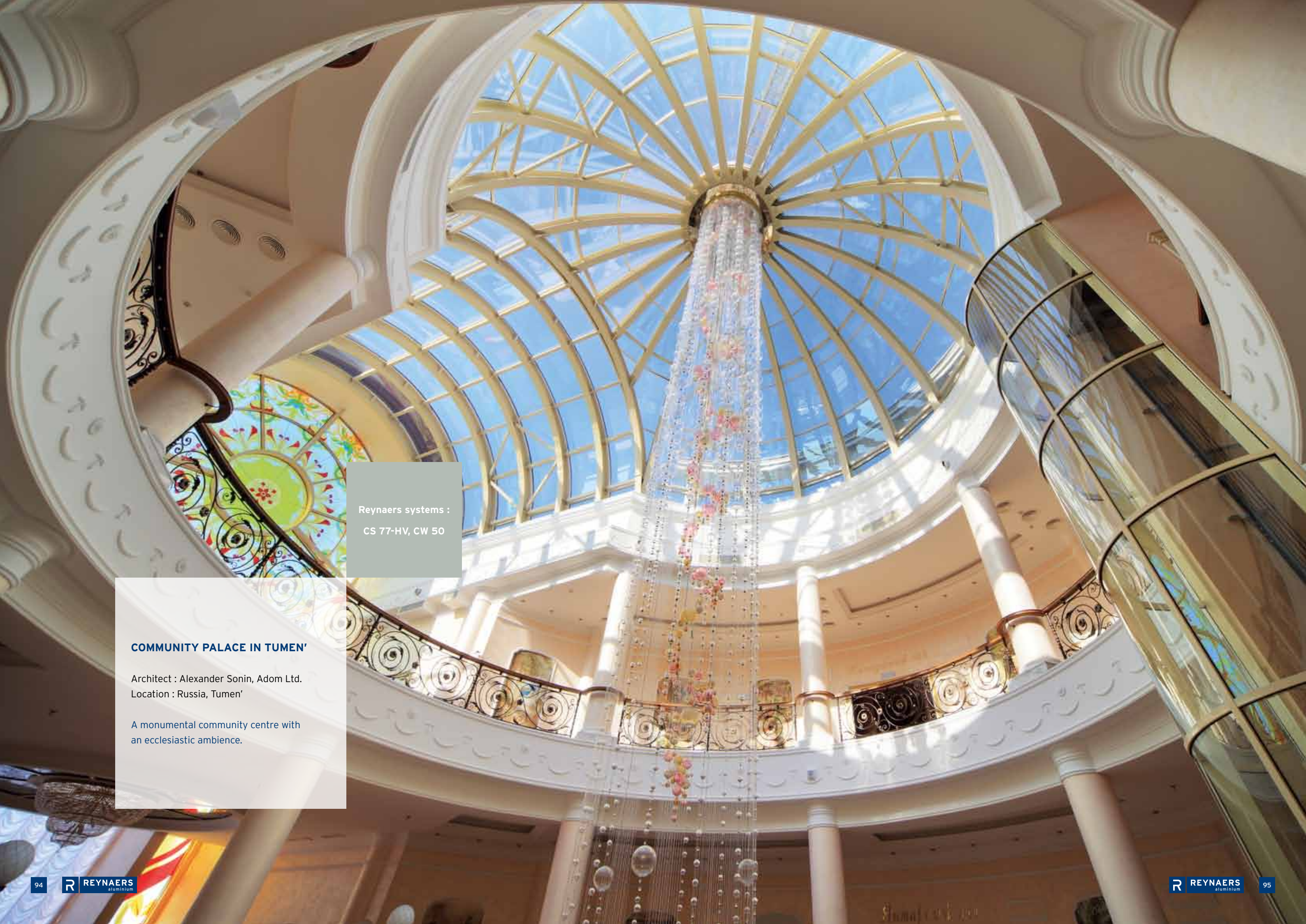
The town hall consists of 4 rectangular and parallel office volumes that surround 3 green patios. Canopies and green roofs connect the various parts together.



TOWN HALL VEGHEL

Architect : BAS Architectuur
Location : The Netherlands, Veghel

The branches of a beech tree on the façade symbolize the interconnections between the town and its inhabitants, with 562 local surnames written on its branches. With these names the community is literally brought into the town's vision and has been given a prominent place in the town hall.



Reynaers systems :
CS 77-HV, CW 50

COMMUNITY PALACE IN TUMEN'

Architect : Alexander Sonin, Adom Ltd.
Location : Russia, Tumen'

A monumental community centre with
an ecclesiastic ambience.



Reynaers systems :
CW 60, BS 100



CANADIAN EMBASSY

Architect : Cabinet Lotfi Rebai
Location : Tunisia, Tunis

High safety standards and good sun protection were essential design aspects of this embassy building in Tunis.

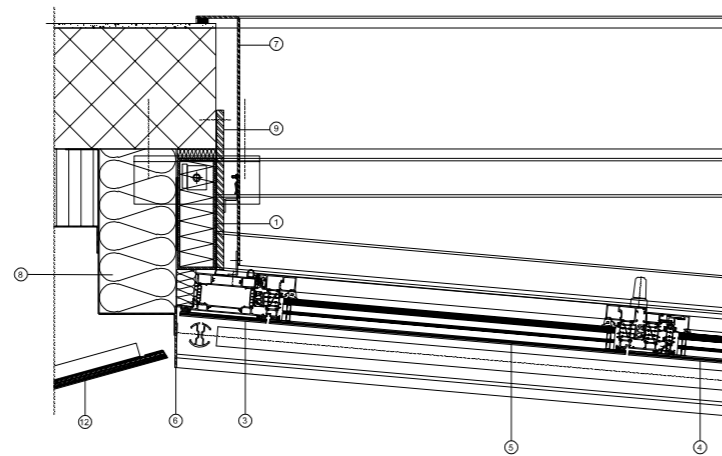
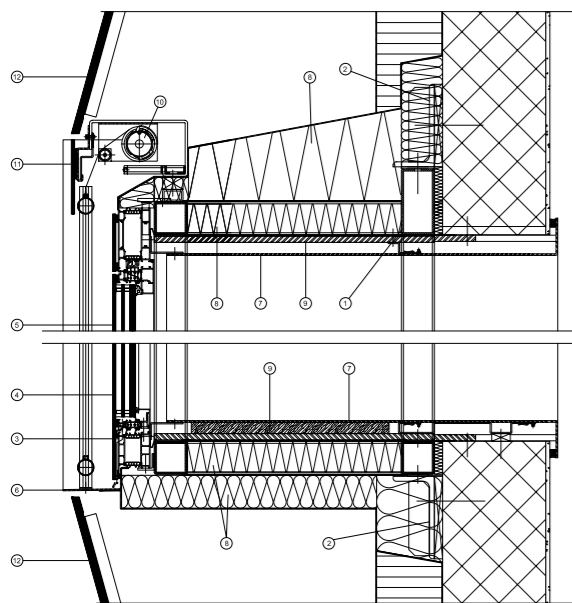
UNIVERSITY LUCERNE

Architect : Enzmann & Fischer AG
Location : Switzerland, Lucerne

A striking complete makeover of
a former post office building.

Reynaers system :
CS 86-HI
bespoke solution

EDUCATION



1. Steel sub structure, 2. Steel anchors, 3. Alu frames, 4. Structural Sealed Glazing, 5. SSG Vent, 6. Finishing profile aluminium plate of 3 mm, 7. Finishing profile in alu 4 mm, 8. Fire retarding insulation, 9. Gypsum board, 10. Sunscreens, 11. Sunscreen covering profile of ESG safety glass (SSG glazing), 12. Flat panel for façade cladding



CENTRE FOR LIFE SCIENCES

Architect : Rudy Uytenhaak Architectenbureau
Location : The Netherlands, Groningen

The most characteristic detail of the building is its green façades which cover the steel construction.

Reynaers systems :

Eco system,
CW 50

UNIVERSITY GASTHUISBERG

Architect : Poponcini & Lootens Ir.
Architecten
Location : Belgium, Leuven

The overall design of this university re-creates a traditional city campus, with university buildings interconnected via a secondary network of streets and small squares.

Reynaers systems :
CS 68, CW 50,
bespoke solutions



SERVICE CENTER CAMPUS KREMS

Architect : Baumeister Werner,
herr Gerhard Lotter
Location : Austria, Krems and der Donau

Three rectangular volumes, parallel to each other, lightly rest on a continuous, transparent first floor, each protruding towards the street. A tower-like volume completes the structure to the north and transparent access balconies connect its different parts, reflecting the charming surroundings during the day.

Reynaers system :
CS 77

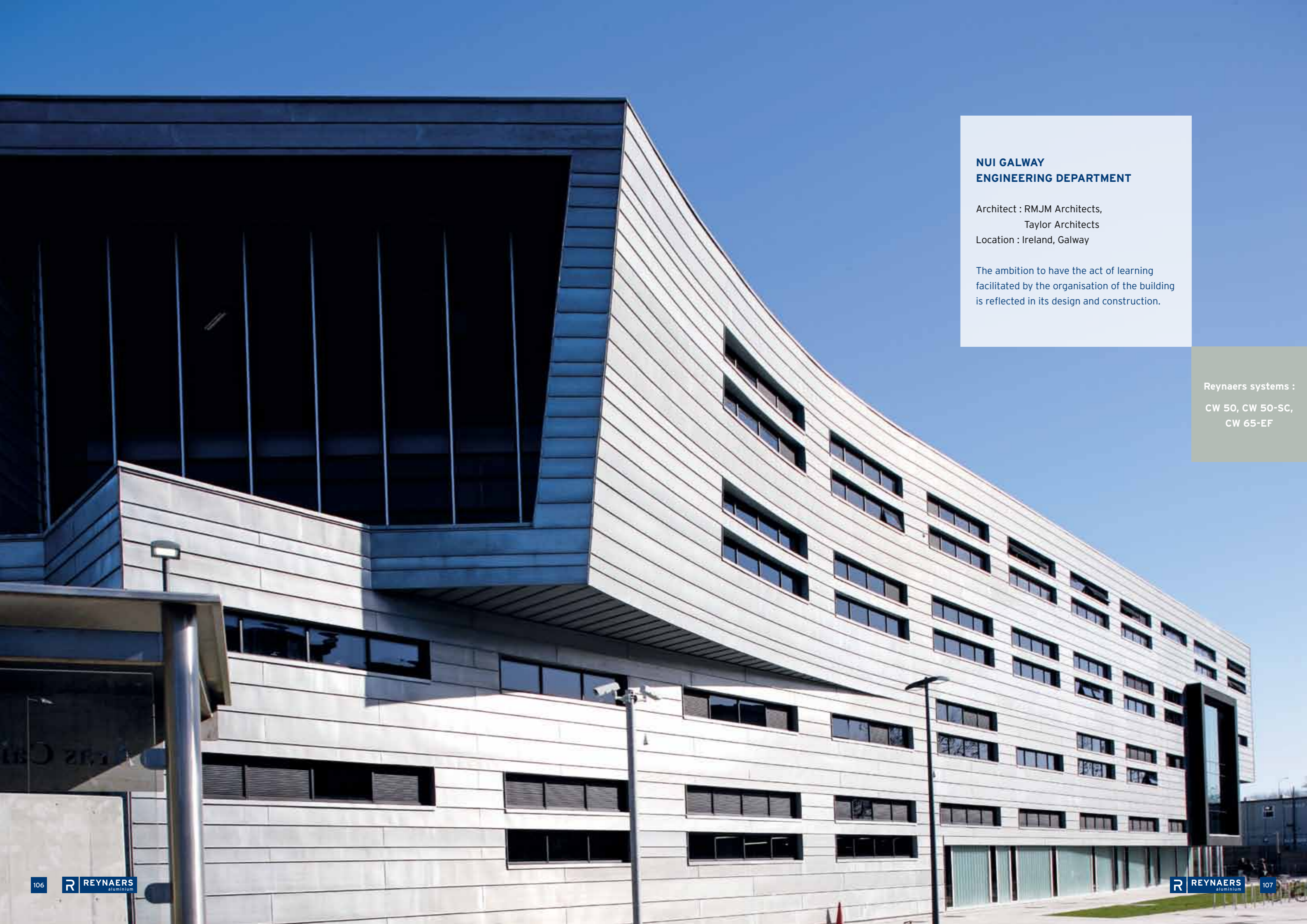


INSEAD

Architect : Lehoux et Phily
Location : France, Fontainebleau

A new face for one of the world's top
management schools.





**NUI GALWAY
ENGINEERING DEPARTMENT**

Architect : RMJM Architects,
Taylor Architects

Location : Ireland, Galway

The ambition to have the act of learning facilitated by the organisation of the building is reflected in its design and construction.

Reynaers systems :

CW 50, CW 50-SC,
CW 65-EF

