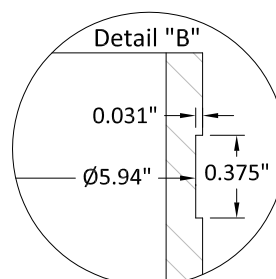
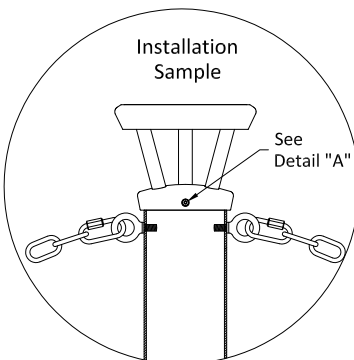
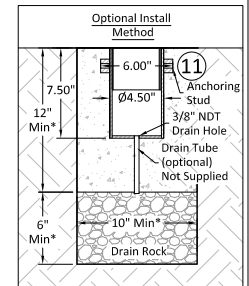
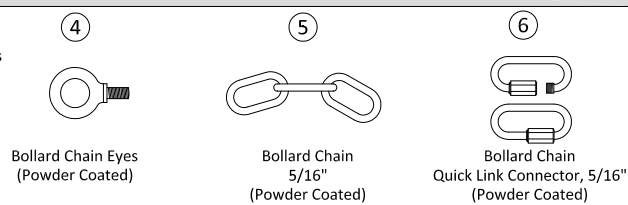


Solar Light Bollard				
Item	Part Number	Description	Material	Weight
1	R-9810	Bollard Post	Steel	27.5 lbs.
2	R-9810-B3	Solar Light Battery (1 comes with light, but also available as an additional accessory)	Pure Lead, Spiral Wound, Absorbed Glass Mat (AGM)	3.2 lbs.
3	R-9810-AL	Head Assembly, c/w Integral Light Kit	Aluminum	13.2 lbs
4	7500-E	Chain Eye Loop	Steel - Forged	
5	R-7500-CH	Chain, 5/16" (Measured In Feet)	Steel - Plated	
6	R-7500-Q	Chain Quick Link	Steel - Plated	
7	R-7500-AN	Anchor Casting	Ductile Iron (ASTM A536, Grade 65-45-12)	
8	INSERT 1	Concrete Insert, 3/4" UNC	Steel - Plated	
9	R-7500	Concrete Adhesive	Concrete Adhesive	
10	R-7500	Removable Mount	Steel	
11	R-7000	Removable/Retractable Mount	Steel	
12	Padlock 936	Padlock, marine grade (OPTIONAL)	Brass; chrome plated with stainless steel shackle	
12	Padlock 835	Padlock (OPTIONAL)	Brass	
13		Tamper Resistant Set Screw 1/4" - 20 x 1/2" long, Pinned hex drive, 3pcs.	Stainless Steel	
14		Polyethylene Plug, 1/4" - Black, 3 pcs.	Polyethylene	

* Minimum Foundation Size Depends On Local Soil Conditions, Weather Conditions & Engineering Requirements

5/16" Chain Accessories



REV	DATE	DESCRIPTION	DR
RELIANCE FOUNDRY CO. LTD.			
Unit 207, 6450 - 148 Street, Surrey, BC, Canada V3S-7G7 1-888-735-5680 - info@reliance-foundry.com www.reliance-foundry.com www.bollards.ca www.bike-parking.ca			
Solar Light Bollard, Model R-9810			
SCALE	NTS	DRAWING NUMBER	SIZE
DESIGN			REV.
DATE	03/14/2013	R-9810	A A