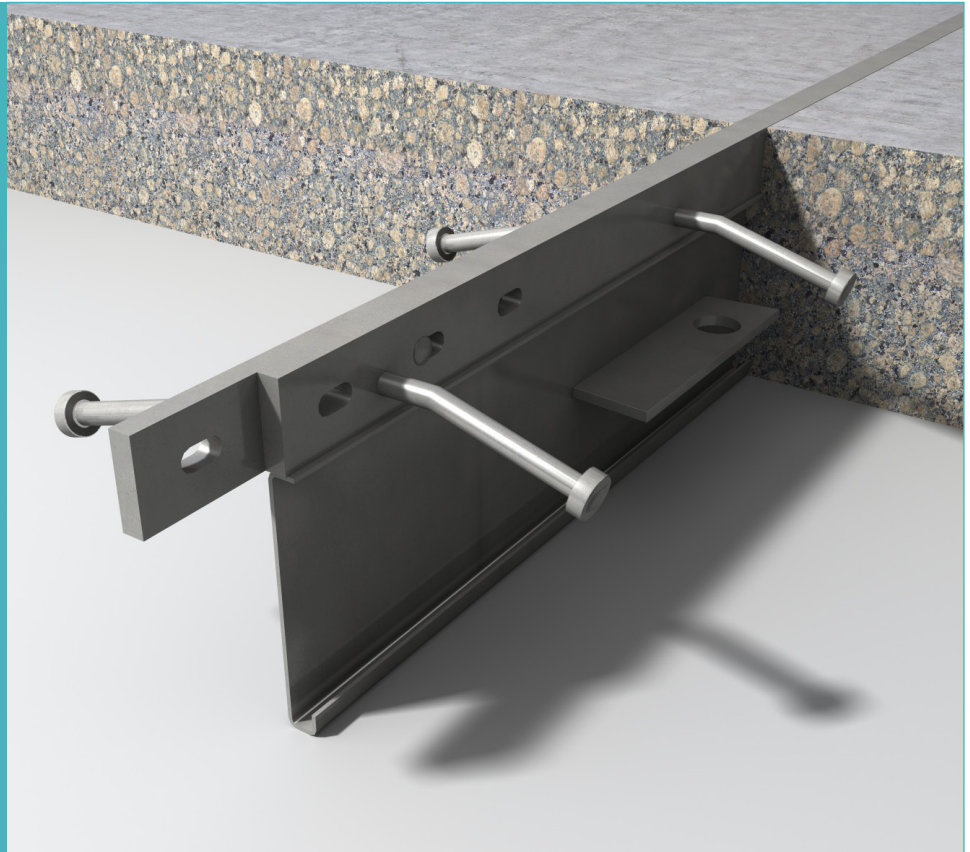


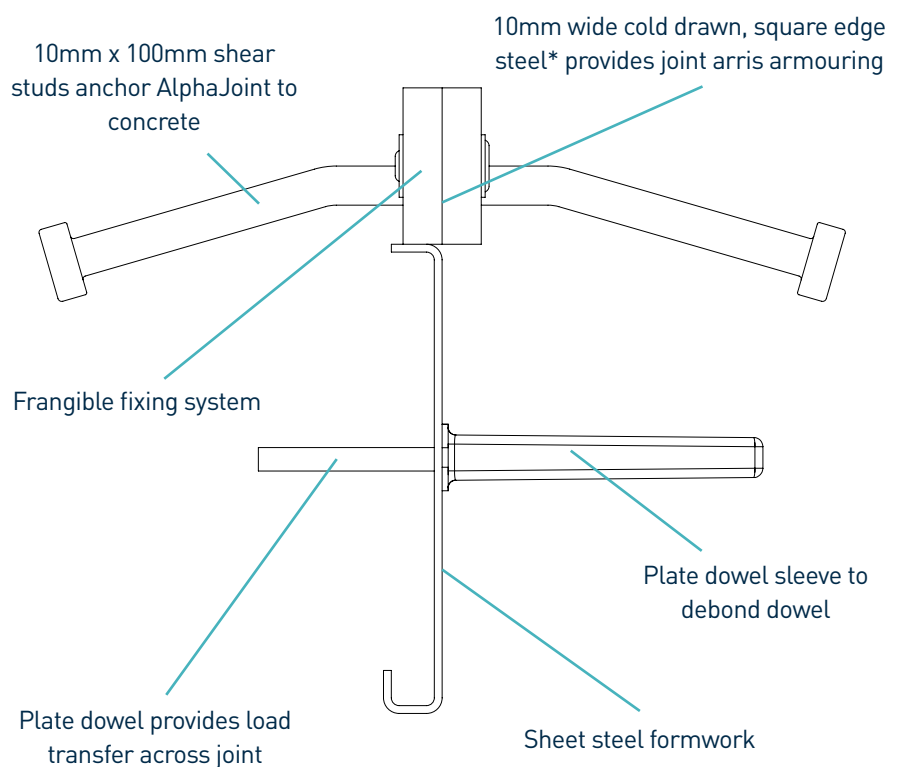
alphajoint[®] classic 4010

Specification Sheet
Issue 1.0
24/01/2012

alphajoint[®] classic 4010



alphajoint[®] classic 4010



*Also available in galvanised and stainless steel

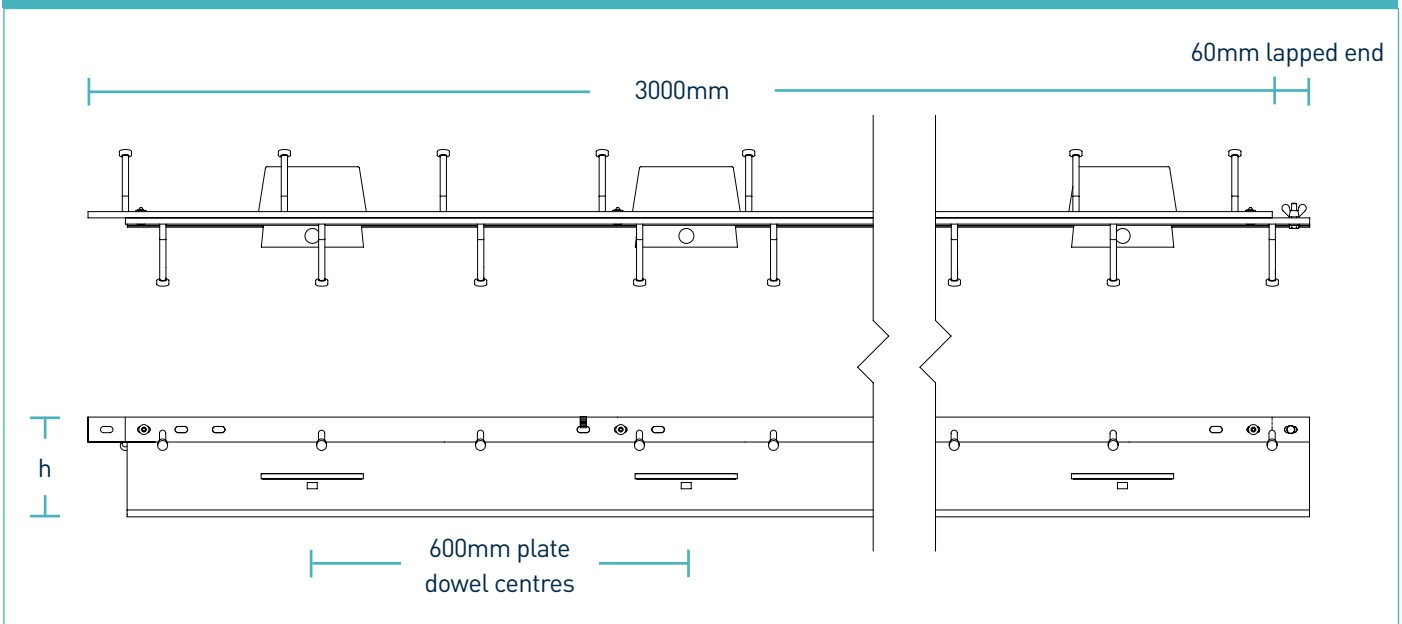
alphajoint[®] classic 4010

Specification Sheet Issue 1.0
24/01/2012

manufacturing tolerances

| | | | | | |
|---------------|--------|---------------|------|---------------------|--------------|
| Length | ±2.0mm | Height | ±1mm | Straightness | ±0.5mm/600mm |
|---------------|--------|---------------|------|---------------------|--------------|

dimensions of alphajoint[®] classic 4010



dimensions and weight of alphajoint[®] classic 4010

| Nominal Slab Depth (mm) | Joint Height, h (mm) | Dowel Size (mm) | Dowel Centres (mm) | Length (mm) | Single Joint Weight (kg) | Number Per Bundle | Bundle Weight (kg) |
|-------------------------|----------------------|-------------------------|--------------------|-------------|--------------------------|-------------------|--------------------|
| 150 | 120 | 164 x 120 x 8 Trapeziod | 600 | 3000 | 33 | 30 | 1079 |
| 170 | 140 | | | | 34 | 30 | 1107 |
| 190 | 160 | | | | 35 | 28 | 1066 |
| 210 | 180 | | | | 36 | 28 | 1092 |

Typical height and length values shown only. Weight values shown are based on Alphajoint[®] Classic 4010 including TD8 dowels and are approximate.

materials

| Component | Material |
|------------------------------|---|
| Joint arris armouring (4010) | BS 070M20 |
| Sheet steel formwork | BS EN 1030:1999 DC01 |
| Shear stud | S275JR or equivalent |
| Plate dowel | BS EN 10025-2:2004 S275JRG2 min 410 N/mm ² |
| Plate dowel sleeve | HDPP |

alphajoint[®] classic 4010

Specification Sheet Issue 1.0
24/01/2012

theoretical calculated ultimate loads at failure of dowel or concrete

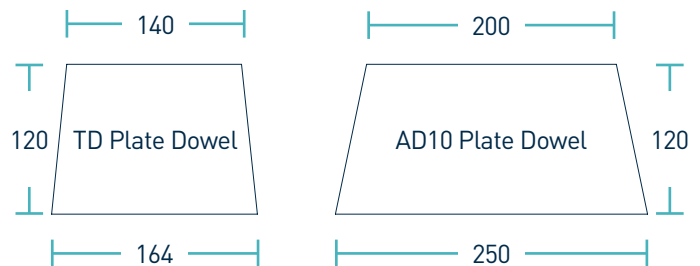
(For typical slabs, 40N/mm² concrete and 20mm joint opening)

| Slab Depth (mm) | Dowel Type | Unreinforced Slab | | Steel Fibre Reinforced Slab (Re3 = 0.8) | |
|-----------------|------------|-------------------|----------------|---|----------------|
| | | Bursting (kN/m) | Bending (kN/m) | Bursting (kN/m) | Bending (kN/m) |
| 150 | TD6 | 50.50 | 80.83 | 87.17 | 80.83 |
| | TD8 | 50.50 | 143.50 | 87.17 | 143.50 |
| | AD10 | 54.17 | 328.00 | 93.50 | 328.00 |
| 200 | TD6 | 82.00 | 80.83 | 141.67 | 80.83 |
| | TD8 | 82.00 | 143.50 | 141.67 | 143.50 |
| | AD10 | 63.17 | 328.00 | 108.83 | 328.00 |
| 250 | TD6 | 81.00 | 80.83 | 136.50 | 80.83 |
| | TD8 | 81.00 | 143.50 | 136.50 | 143.50 |
| | AD10 | 74.33 | 328.00 | 125.50 | 328.00 |
| 300 | TD6 | 87.33 | 80.83 | 147.50 | 80.83 |
| | TD8 | 87.33 | 143.50 | 147.50 | 143.50 |
| | AD10 | 83.67 | 328.00 | 141.17 | 328.00 |
| 350 | TD6 | 94.00 | 80.83 | 160.00 | 80.83 |
| | TD8 | 94.00 | 143.50 | 160.00 | 143.50 |
| | AD10 | 91.33 | 328.00 | 155.50 | 328.00 |

Ultimate load (kN/m)

This table shows the load at failure in bursting (failure of the concrete) and bending (failure of the dowel) for a joint opening of 20mm - larger joint openings can be accommodated. The ultimate load has been calculated in accordance with TR34 3rd Edition. For more detailed analysis please contact Permaban.

compatible dowel systems



dimensions in mm