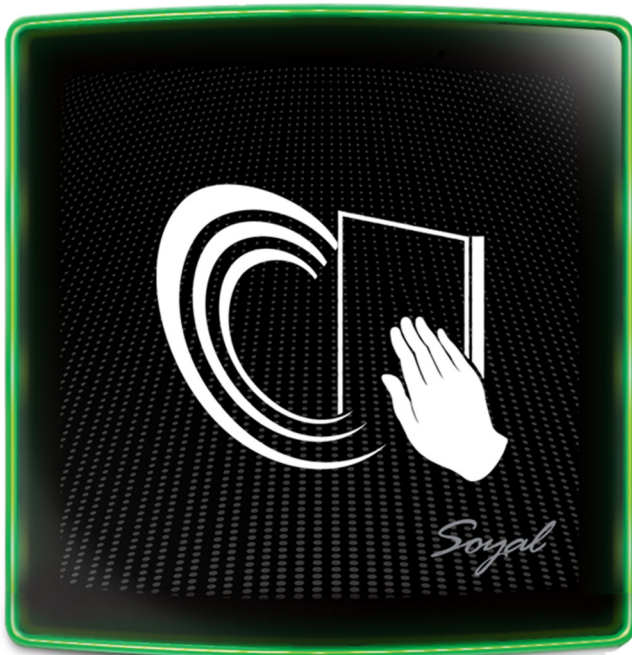


## Engineering Data Sheet



# AR-888PBI

## Capacitive Push button

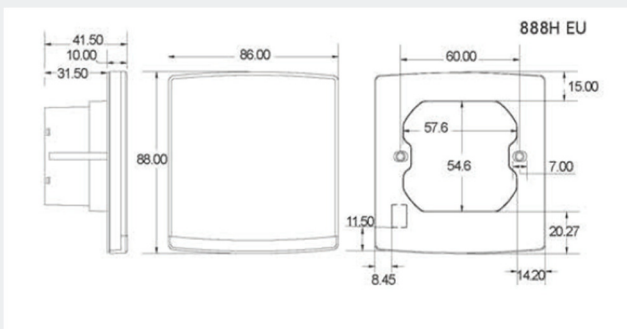
- Illuminated Push-to-Exit Button
- IP55 Weather Resistant Design
- 1 bi-colour LED
- Semi-flush mounted design gives neat installation
- Designed to fit standard 47mm single gang back box
- 10mm spacer available for additional connector clearance

### Brand

**SOYAL**®

### Architects and Engineers Specification

This Push to Exit signifies a new era in access control innovation. The neat and attractive design makes this exit button ideal for any commercial or residential application.



### Specifications

Detection Distance	5-10cm
Power Supply	9-15VDC
Temperature	-20 C to + 60 C
Ingress Protection	IP55
Indicator	1 Bi colour LED
Housing Material	ABS/PC Panel
Colour	Black
Dimensions	88H X 86W X 9D/43D

Form : 08 / 02 / 17

Rev 1.0.0