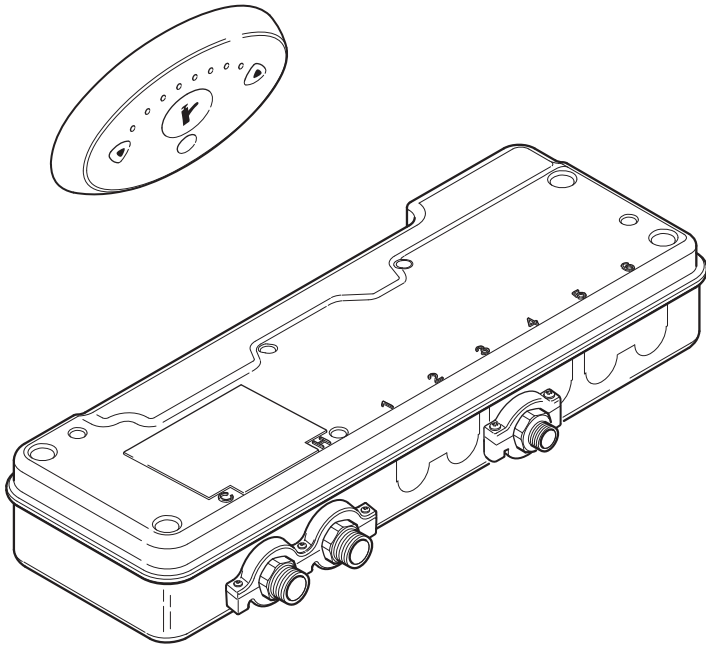


Sense
rada

Rada Sense Washbasin/Bidet T3 DMV



PRODUCT MANUAL

IMPORTANT

Installer: This Manual is the property of the customer and must be retained with the product for maintenance and operational purposes.

CONTENTS

Description	3
Safety : Warnings	3
Pack Contents	4
Specification	5
Standards and Approvals	5
Installation	6
General.....	6
Power Supply Unit (PSU)	8
Rada Sense Control Panel	9
Rada Sense (DMV)	10
Operation	11
Duty Flush	11
Disinfection.....	11
Commissioning	12
Maximum Temperature Setting	13
Type 2 & Type 3 Valves	14
Application.....	14
Supply Conditions	14
In Service Testing	16
Maintenance	18
Planned Maintenance.....	18
Cleaning	19
Checkvalves and Filters	20
Fault Diagnosis	21
Self-Diagnostic Errors	23
Spare Parts	24
Accessories	24
Notes	26
Customer Service	28

DESCRIPTION

A range of concealed 1/2" Digital Mixing Valves (DMV) with wall mounted no-touch control panel for flow and temperature control. Functions include timed flow control, duty flush and thermal disinfection.

SAFETY : WARNINGS

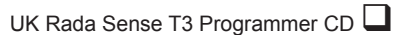
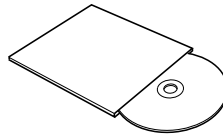
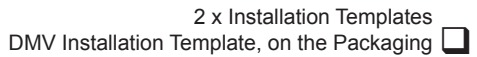
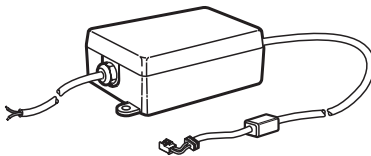
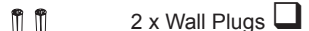
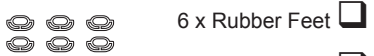
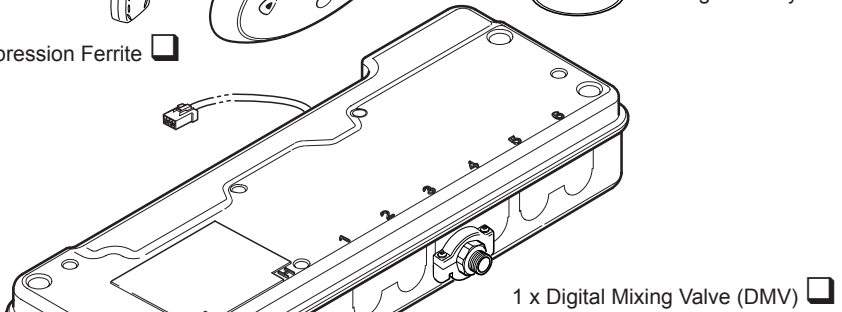
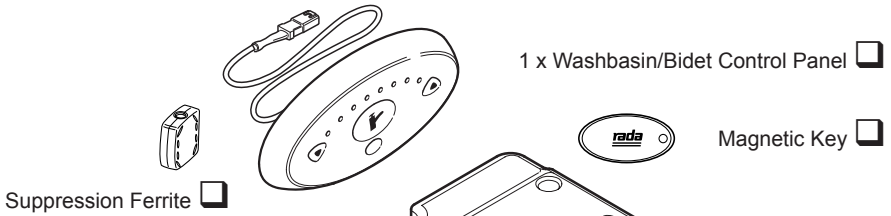
The function of this DMV is to deliver water consistently at a desired temperature. This requires that:

1. It is installed, commissioned, operated and maintained in accordance with the recommendations given in this Manual.
2. Periodic attention is given, as necessary, to maintain the product in good functional order. Recommended guidelines are given in the **Planned Maintenance** section.
3. Using this product outside the specification limits given in this Manual can present potential risk to users.
4. The electrical installation must comply to "BS 7671 - Requirements for Electrical Installations", commonly referred to as the IEE Wiring Regulations - Part 7, or any particular regulations and practices, specified by the local electricity supply company.
5. **DO NOT** fit any form of outlet flow control i.e. trigger handset. Use only recommended fittings.

The use of the word 'failsafe' to describe the function of any mixing valve is both incorrect and misleading. This electronic valve incorporates additional shut-off devices to improve the level of safety however, in keeping with every other mechanism it cannot be considered as being functionally infallible.

Where chlorine disinfection is practised, **DO NOT** exceed a chlorine concentration of 50 mg/l (ppm) in water, per one hour dwell time. Such procedures must be conducted strictly in accordance with the information supplied with the disinfectant and with all relevant Guidelines/Approved Codes of Practice.

PACK CONTENTS



SPECIFICATION

Standards and Approvals

This Rada Sense Digital Mixing Valve (DMV) complies with all relevant directives for CE marking.

The Rada Sense DMV is a type 1 electronic, independently mounted control for surface mounting.

General	
Pollution Degree	3
Rated Impulse Voltage	Mains Supply - 2.5 kV 12 V DC supply to valve - 500 V
Suitability for Drinking	Not suitable
Connections	Flat face union connections

Pressures	
Maximum Static Pressure	1000 kPa (10 bar)
Minimum Pressure Loss <small>Refer to Note</small>	20 kPa (0.2 bar)
Supply Pressure Differential	Max. 3:1 (Equal pressure recommended)
Minimum Flow Rate	4 L/min (<500 kPa maintained pressure) 6 L/min (>500 kPa maintained pressure)

Temperatures	
Factory Pre-set (Blend) Washbasin	Max. 41 °C, Min. 30 °C, Default at start-up 38 °C
Factory Pre-set (Blend) Bidet	Max. 38 °C, Min. 30 °C, Default at start-up 36 °C
Factory Pre-set Duty Flush	41 °C
Programmable Range	Max. 33 - 50 °C Min. 30 - 47 °C (full cold can also be selected) Default at start-up 30 - 50 °C
Minimum Blend Temperature Differential from Hot Supply	2 °C
Optimum Thermostatic Control Range	30 - 50 °C
Cold Water Range	1 - 20 °C
Hot Water Range	50 - 65 °C (85 °C for disinfection)
Temperature Stability	± 1 °C at recommended supply conditions
Ambient Temperature	Greater than 1 °C, max. 40 °C
Maximum Relative Humidity	95% non-condensing

Electrical	
Supply Voltage	100 - 240 V RMS 50 - 60 Hz
Maximum Load	20 W at 12 V DC
Control Panel Cable Length	3 m supplied (6 m max.)

Times	Factory Settings	Programmable Range
Flow Time to Auto Shut-off	15 seconds	5 seconds to 60 minutes
Duty Flush Cycle	3 minutes	1 - 59 minutes
Duty Flush Waiting Time	12 hours	1 - 983 hours

Disinfection		
Minimum Temperature	60 °C	60 - 85 °C
Minimum Time	5 minutes	0 - 50 minutes
Reduced Flow rate	No	Yes or No

Note! The pressure loss of a system (valve and outlet fitting) is the average of the two inlet pressures minus the back pressure, where the back pressure is determined by the flow resistance of any outlet fitting.

INSTALLATION

General

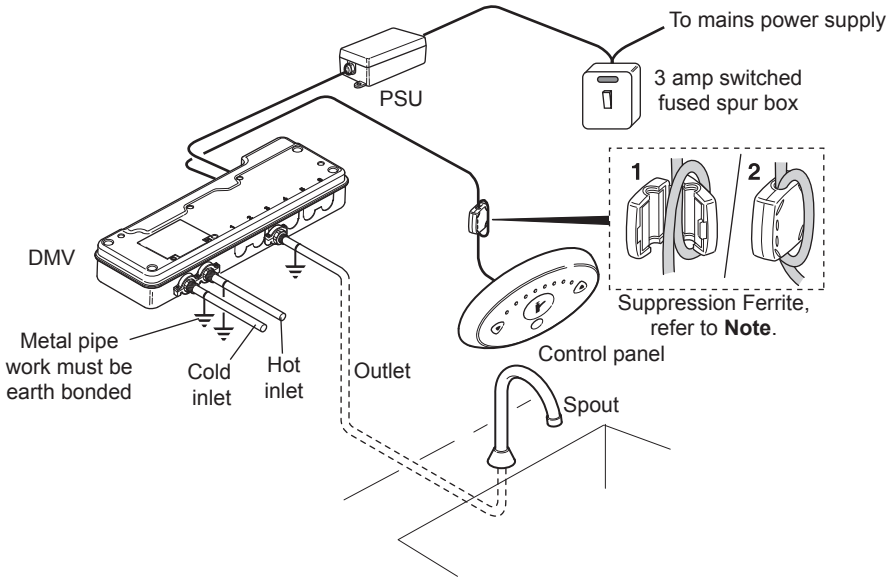
Installation must be carried out in accordance with these instructions, be conducted by designated, qualified and competent personnel.

The installation must comply with the “Water Supply Regulations 1999 (Water Fittings)”.

Caution! The DMV and PSU must be installed in a dry area and where it will not freeze.

Note! The DMV must be installed in an area where it is accessible to do any maintenance tasks e.g. removal of the cover, cleaning the strainers etc.

Flat face union connections must be used on the inlet and outlet connections of the DMV for ease of maintenance.

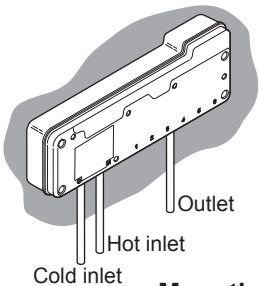


Note! The Data Cable must be placed through the Suppression Ferrite and then looped around the cover. The Suppression Ferrite must be fitted as close to the Control Panel as possible.

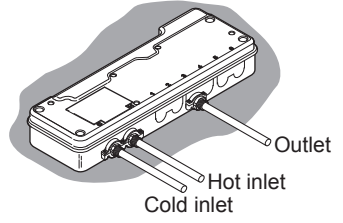
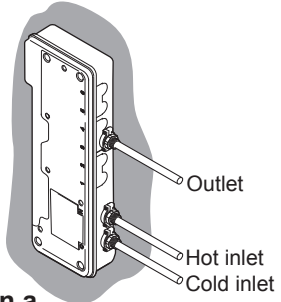
Installation Schematic

1. Inlet and outlet isolating valves must be installed close to the DMV for ease of maintenance.
2. The use of supply-line or zone strainers will reduce the need to remove debris at each mixing valve point. The recommended maximum mesh aperture dimension for such strainers is 0.5 mm.

3. Inlet pressure tapings which allow measurement of the inlet pressures to the mixing valve under operating conditions are particularly recommended for healthcare applications.
4. Pipework must be rigidly supported and avoid any strain on the connections.
5. Pipework dead-legs should be kept to a minimum.
6. Supply pipework layout should be arranged to minimise the effect of other outlet usage upon the dynamic pressures at the mixing valve inlets.
7. Inlet and outlet threaded joint connections should be made with PTFE tape or liquid sealant. Do not use oil-based, non-setting joint compounds.
8. To eliminate pipe debris it is essential that supply pipes are thoroughly flushed through before connection to the spout and to the Rada Sense DMV.
9. The DMV **MUST ONLY** be installed in the orientations shown and mounted on a rigid vertical surface or on top of a rigid horizontal surface.



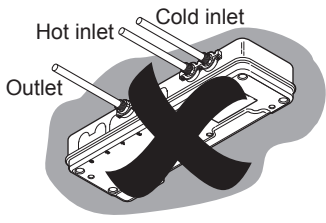
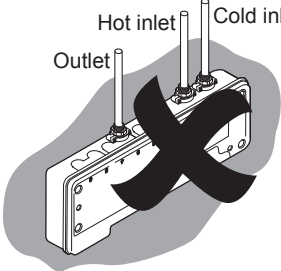
Mounting on a Vertical Surface



Mounting on a Horizontal Surface

Note! If the DMV is installed in a different orientation to those shown above, it may cause the DMV to malfunction e.g. cause airlocks, water ingress and could effect the thermal performance of the DMV.

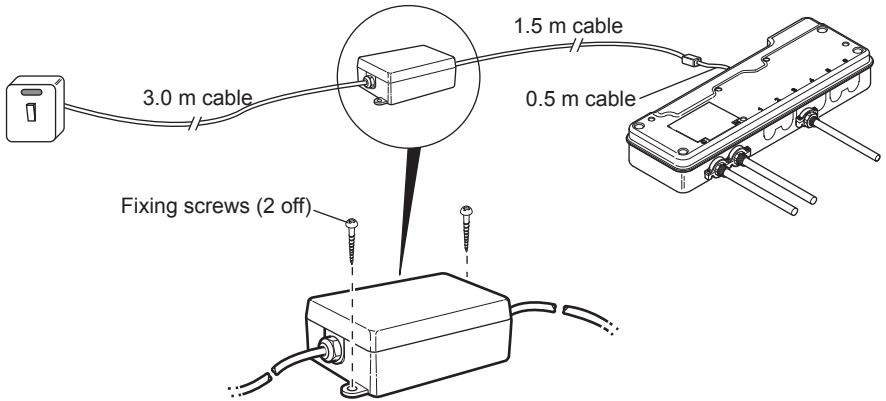
The DMV **MUST NOT** be installed in the orientations shown below.



10. For the installation of your spout, refer to the Sense Spout Kits Installation Manual.

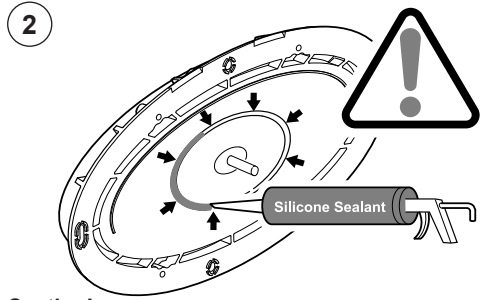
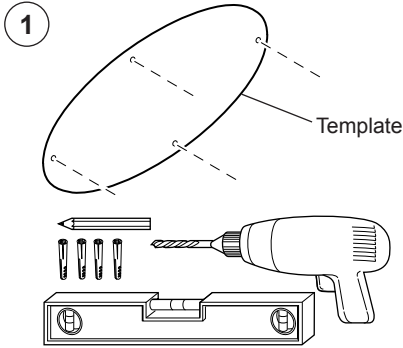
Power Supply Unit (PSU)

Warning! Isolate mains power supply before starting installation. The PSU must be connected to a 3 amp switched fused spur box.

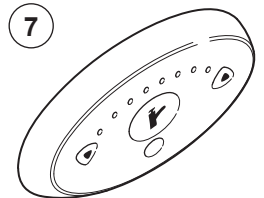
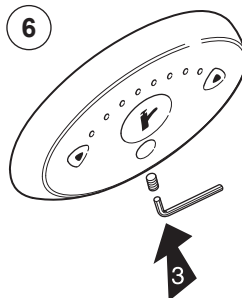
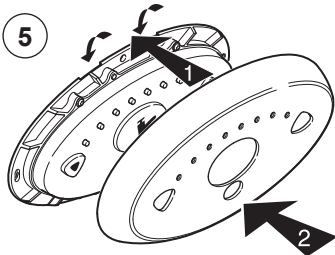
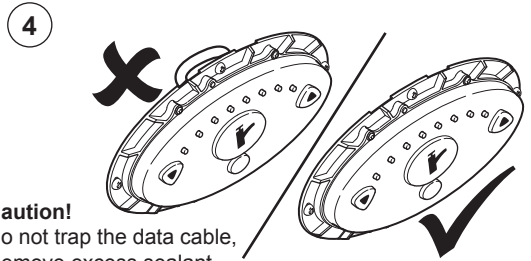
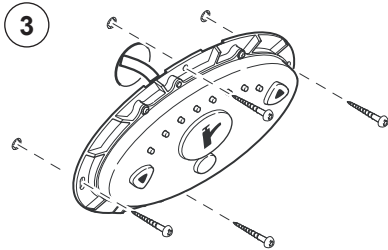


Rada Sense Control Panel

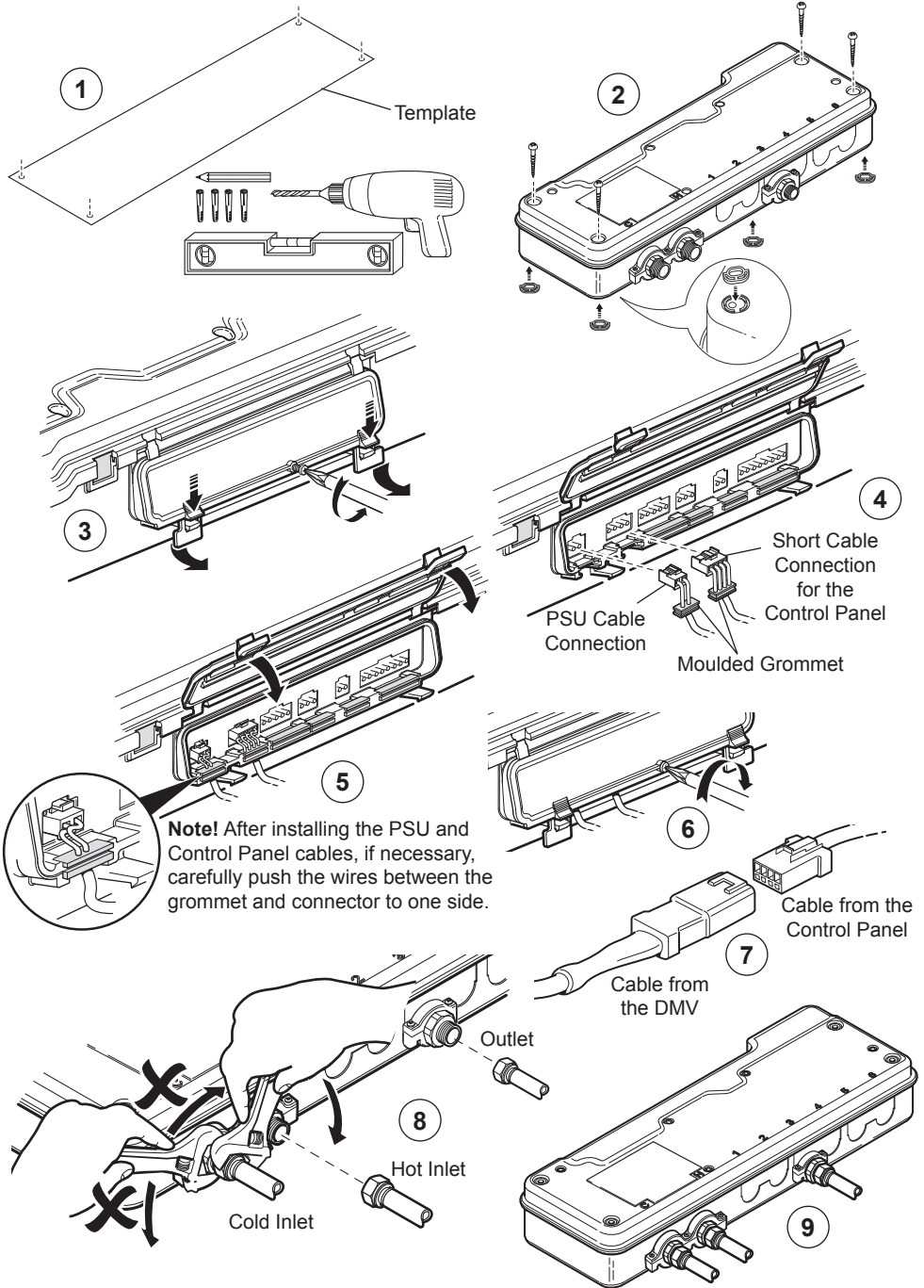
Note! If the data cable is installed within a stud partition or recessed into a wall, make sure it is placed within a suitable conduit to allow easy removal during servicing. The Control Panel must only be installed onto a flat wall surface.



Caution!
Make sure Silicone Sealant is applied in the groove on the back of the Control Panel to stop water ingress into the data cable access hole in the finished wall.



Rada Sense (DMV)



OPERATION

Position your hand anywhere in front of the control panel to activate the DMV. Water is delivered at a default temperature, refer to **Specifications**.

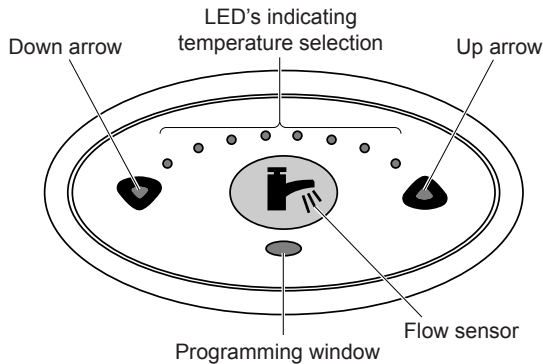
Note! The sensors are designed to operate at a distance of up to 30 mm. There is no need for the user to touch the control panel.

Position your hand over the Down arrow to obtain a cooler mix. When only the blue light is illuminated on the control panel, then only cold water is being supplied. If the blue light is flashing, then the minimum preset temperature is being delivered.

Position your hand over the Up arrow to obtain a hotter mix.

Note! Adjusting the temperature automatically resets the flowtime.

The water should flow until either it is switched off manually (by positioning your hand over the central logo, 'Flow sensor') or the programmed flow time duration has elapsed.



Duty Flush

The DMV incorporates an option for duty flush which can be selected with the aid of a Programmer. If duty flush is selected and the DMV is not used for a period of time (pre-set waiting period) the standing water within the DMV will be flushed out.

Duty flush temperature, waiting period and flush period are preset at the factory. These settings can be reset, refer to your Rada Sense Programmer Software Manual.

Disinfection

The DMV incorporates an option for disinfection which can be selected with the aid of a Programmer. The default disinfection settings can be reset, refer to your Rada Sense Programmer Software Manual.

COMMISSIONING

Commissioning must be carried out in accordance with these instructions, and must be conducted by designated, qualified and competent personnel.

Note! For Healthcare Installations, all results must be recorded.

1. Restore the water supply and check that there are no leaks.
2. Restore the power supply.
3. Position your hand over the flow sensor (indicated by a tap) on the control panel to start the DMV, to flush out any air.
4. Check the supply temperatures and pressures are within the range stated in **Specifications** and the guidance information on the prevention of legionella.
5. For Type 2 and 3 installations, check that the designation of the DMV matches the application. The supply pressures and temperatures are within the permitted range for the application.
6. Check inlet pipework temperatures for correct function of checkvalves i.e. the hot water does not cross flow into the cold water supply.
7. Check that the temperature(s) and flow rates obtainable are acceptable.
8. Carry out a performance check:

Healthcare

Isolate the cold water supply to the mixing valve and monitor the mixed water temperature. Record the maximum temperature achieved and the final stabilised temperature on restoration of the cold water supply.

Note! The final stabilised mixed water temperature should not exceed the values shown below. Any higher temperatures should only occur briefly.

Bidet	40 °C
Washbasin	43 °C

Commercial

Locate another outlet on the common cold water supply close to the mixing valve (operating this outlet should cause a drop in supply pressure), and note the subsequent effect on blend temperature (should be no more than 2 °C change).

Maximum Temperature Setting

The maximum blend temperature obtainable by the user is limited to prevent accidental selection of a temperature that is too hot.

The DMV is fully performance tested and the maximum temperature is factory preset, refer to **Specifications**.

Provided that the installation conditions comply with the operating parameters given in the specifications section of this manual, the maximum temperature should not require adjustment.

Should the user require to change the Default, Minimum, Maximum Temperatures or the Flow Times, refer to your Rada Sense Programmer Software Manual.

Caution! The outlet temperature must be re-checked after a new temperature has been programmed.

Note! The Rada Sense Programmer CD supplied, is designed to run on Microsoft Windows 98/NT/2000/XP operating systems. The programmer software is designed to run on Microsoft Pocket PC 2002 and Microsoft Mobile Windows for Pocket PC 2003. Refer to your Rada Sense Programmer Software Manual.

TYPE 2 & TYPE 3 VALVES

In order to achieve the safe water temperatures expected of Type 3 Valves it is essential that the valve is used only for the applications covered by its approved designations, with the appropriate water supply pressures and temperatures, and it is commissioned, maintained and serviced in accordance with the recommendations contained in this guide.

Application

The approved designations for **Type 2 & 3 Valves** are as follows:

Model	Designation Codes Type 2 & 3
Rada Sense Basin/Bidet	HP B, W - LP B, W

Supply Conditions

For applications where a Type 3 Valve is required, the supply conditions must comply with the values extracted from the TMV3 standard, shown in the table below. Note that both hot and cold supply pressures must lie within the same pressure range.

Table 1: Normal Conditions of use for Type 3 valves

Supply Conditions	High Pressure	Low Pressure
Maximum Static Pressure (Bar)	10	10
Maintained Pressure, Hot and Cold (Bar)	1 to 5	0.2 to 1
Hot Supply Temperature (°C)	52 to 65	52 to 65
Cold Supply Temperature (°C)	5 to 20	5 to 20

Valves operating outside these conditions cannot be guaranteed to operate as Type 3 Valves.

Table 2: Mixed Water Temperature

Application	Mixed water temperature (at point of discharge) °C
Bidet	38
Washbasin	41

Note ! For washbasins, washing under running water is assumed.
Note ! A thermostatic mixing valve having multiple designations (i.e. it is capable of satisfying the requirements of this specification for more than one application) should be re-set on site to suit its other designations.

Commissioning

Purpose

Since the installed supply conditions are likely to be different from those applied in the laboratory tests it is appropriate, at commissioning, to carry out some simple checks and tests on each mixing valve to provide a performance reference point for future in-service tests.

Procedure

Check that:

- a) the designation of the thermostatic mixing valve matches the intended application.
- b) the supply pressures are within the range of operating pressures for the designation of the valve.
- c) the supply temperatures are within the range permitted for the valve and by guidance information on the prevention of legionella etc.

Adjust the temperature of the mixed water in accordance with the instructions in section: '**Operation**' and the requirement of the application and then carry out the following sequence:

- a) record the temperature of the hot and cold water supplies.
- b) record the temperature of the mixed water at the largest draw-off flow rate.
- c) record the temperature of the mixed water at a smaller draw-off flow rate, which shall be measured.
- d) isolate the cold supply to the mixing valve and monitor the mixed water temperature.
- e) record the maximum temperature as a result of (d) and the final stabilised temperature.
Note! The final stabilised temperature should not exceed the values in Table 3.
- f) record the equipment, thermometer etc. used for the measurements.

Table 3: Guide to maximum stabilised temperatures recorded during site tests

Application	Mixed water temperature °C
Bidet	40
Washbasin	43

In Service Testing

Purpose

The purpose of in-service tests is to regularly monitor and record the performance of the thermostatic mixing valve. Deterioration in performance can indicate the need for service work on the valve and/or water supplies.

Procedure

Using the same measuring equipment or equipment to the same specification as used in the commissioning of the valve, adjust the temperature of the mixed water in accordance with the instructions in section: '**Operation**' and the requirement of the application. Carry out the following sequence:

- a) record the temperature of the hot and cold water supplies.
- b) record the temperature of the mixed water at the largest draw-off flow rate.
- c) record the temperature of the mixed water at a smaller draw-off flow rate, which shall be measured.

If the mixed water temperature has changed significantly from the previous test results (e.g. $>1^{\circ}\text{C}$) record the change and before re-adjusting the mixed water temperature check:

- a) that any in-line or integral filters are clean.
- b) that any in-line or integral non return valves or other anti-back siphonage devices are in good working order.
- c) that any isolating valves are fully open.

With an acceptable mixed water temperature, complete the following procedure:

- a) record the temperature of the hot and cold water supplies.
- b) record the temperature of the mixed water at the largest draw-off flow rate.
- c) record the temperature of the mixed water at a smaller draw-off flow rate, which shall be measured.
- d) isolate the cold supply to the mixing valve and monitor the mixed water temperature.
- e) record the maximum temperature as a result of (d) and the final stabilised temperature.
- f) record the equipment, thermometer etc. used for the measurements.

If at step (e) the final mixed water temperature is greater than the values in Table 3 and/or the maximum temperature exceeds the corresponding value from the previous results by more than about 2°C , the need for service work is indicated.

Note! In-service tests should be carried out with a frequency, which identifies a need for service work before an unsafe water temperature can result.

Frequency of In-service Tests

Healthcare

The In-Service Test Procedure must be followed 6 to 8 weeks after commissioning and 12 to 15 weeks after commissioning. The recorded mixed water temperature from these two tests will determine the maximum frequency for future service intervals.

Result of 6-8 week tests	Result of 12-15 week tests	Next service interval
$\leq 1^{\circ}\text{C}$	$\leq 1^{\circ}\text{C}$	9 - 12 weeks
$> 1^{\circ}\text{C}$	$\leq 1^{\circ}\text{C}$	9 - 12 weeks
$\leq 1^{\circ}\text{C}$	$> 1^{\circ}\text{C}$	9 - 12 weeks
$> 1^{\circ}\text{C}$	$> 1^{\circ}\text{C}$	6 - 9 weeks

The subsequent in-service test results should be used as a guide, in conjunction with a suitable risk assessment, to determine the schedule of future in-service tests. More regular temperature checks should be made where increased risks are perceived, i.e. patients are unable to immediately respond to an increase in water temperature, by either shutting the water off or removing themselves from contact with the water.

Maintenance personnel should also make sure that the staff are aware of the importance of reporting temperature variations and when detected, these should be recorded in the Log Book.

MAINTENANCE

Planned Maintenance

Malfunction of Thermostatic Mixing Valves is almost always progressive in nature and will be detected by the use of proper temperature checking and maintenance routines.

Certain types of system can result in the valve having excessive 'dead-legs' of pipework, or auxiliary cold water supply added to the mixed water from the valve. Such systems can disguise the onset of thermostatic mixing valve malfunction and should not be used.

We recommend a preventative maintenance procedure based on site conditions and the risk to the user. All results must be recorded in a log book.

Healthcare

Healthcare applications are hospitals, aged person facilities, residential care homes, etc. and any other applications where the user is similarly at risk.

Ultimately, the user or attendant must exercise diligence to make sure that the delivery of warm water is at a stable, safe temperature. This is particularly important in such procedures as supervised bathing where patients are unable to respond immediately to unsafe temperatures.

Commercial

Check for correct blend setting every 6 months.

Follow the In-Service Test Procedure every 12 months.

Critical Components

Irrespective of supply and usage conditions or the evidence of in-service tests, critical components should be replaced at intervals of no more than 5 years.

Pack Number	Description
463.31	DMV Solenoid manifold (Open)
463.08	Single Thermistor pack

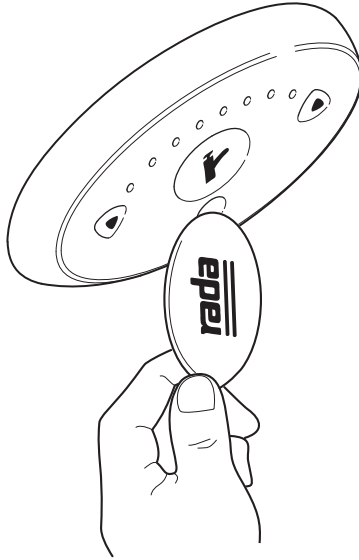
Note! During the replacement of critical components, it may be necessary to replace other non-critical components.

Cleaning

The Rada Sense Control Panel may be temporarily disabled for cleaning purposes. Place the magnetic key (supplied) over the programming window. This will disable the sensors for 30 minutes or until the magnetic key is reapplied.

External surfaces may be wiped clean with a soft cloth, and if necessary, a mild washing-up type detergent or soap solution can be used.

Caution: Plated or plastic fittings should only be cleaned using a mild washing up detergent or soap solution and wiped dry with a soft cloth.



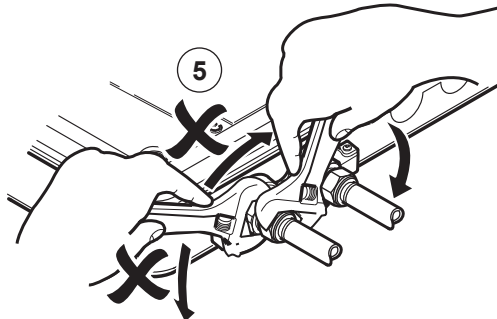
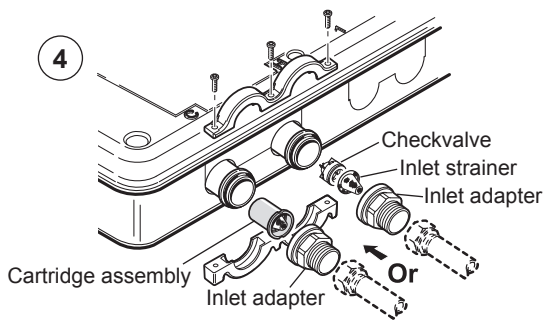
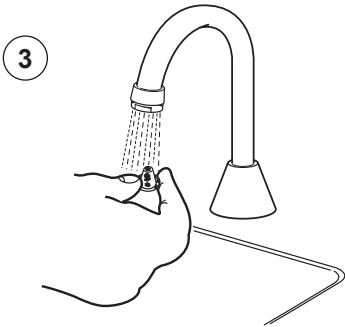
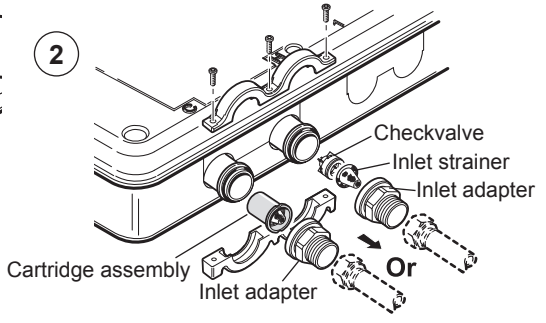
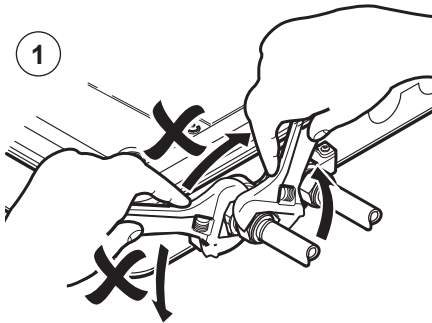
Checkvalves and Filters

Warning! The DMV may contain hot water, so care must be taken when draining the valve of any residual water. Isolate the supplies to the DMV and operate the control panel to release pressure and to assist the draining of residual water.

Note! The DMV have checkvalve and filter packs (cartridge assemblies) or checkvalves and strainers fitted. These components can be removed for cleaning. Inlet strainers can be flushed through under a jet of water to remove any lodged particles.

Caution! The checkvalves are not serviceable items, so any apparent wear or damage will require their renewal.

Note! Make sure all components are clean before refitting the 'O' seals. To assist in refitting, lightly wipe the 'O' seals with a **silicone-only based lubricant**.



Restore the hot and cold water supplies. Check that there are no water leaks.

FAULT DIAGNOSIS

Maintenance must be conducted by designated, qualified and competent personnel.

Warning! Isolate power supply and water supply when any maintenance work is carried out on the DMV.

The DMV may contain hot water, so care must be taken when draining the DMV of any residual water.

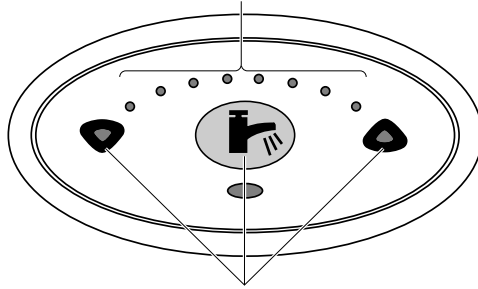
Caution! The inlet/outlet connections on the DMV, must be held tightly so that they do not move, when the connections are being loosened or tightened.

Symptom	Cause/Rectification
1. Control Panel not illuminated.	<ul style="list-style-type: none"> a. Check that you have the correct control panel or DMV for your application. b. Control panel has been disabled : enable the control panel with the magnetic key, refer to Cleaning. c. The mains electricity has been disabled : check and rectify. d. The power supply unit has been disabled : check the fuse and connections. e. Electrical connections to/from the DMV have been disturbed : make sure the connections are secure. f. Memory requires resetting : switch the power supply to the DMV, OFF and then ON.
2. Only cold water from outlet.	<ul style="list-style-type: none"> a. No hot water reaching mixing valve : check and rectify. b. The hot water inlet may be blocked : check strainer for any blockage. c. Installation conditions are outside the operating parameters : refer to Specification. d. Hot and cold feeds connected to the wrong inlets : rectify.
3. Continuous flow.	<ul style="list-style-type: none"> a. System switches itself on and off. b. System will not switch off : isolate power supply/ water supply and contact your Local Agent/ Customer Care.
4. Hot water entering the cold supply, or vice versa.	<ul style="list-style-type: none"> a. Remove and clean the checkvalve cartridges. Renew as necessary.

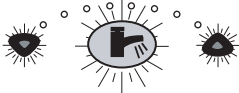
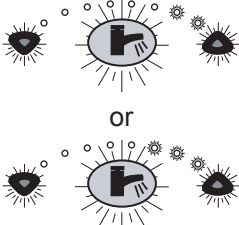




Symptom	Cause/Rectification
<p>5. Fluctuating or reduced flow rate. Normal function of mixing valve when operating conditions are unsatisfactory.</p>	<p>a. The inlet/outlet fittings may be restricted : check the inlet/outlet strainers, refer to Planned Maintenance.</p> <p>b. The water outlet pressure is low : check the flow rate is above the stated minimum, refer to Specifications.</p> <p>c. Fluctuating flow : make sure that dynamic inlet pressures are within specification, refer to Specifications.</p> <p>d. Fluctuating water temperature : make sure that inlet temperature differentials are sufficient, refer to Specifications.</p>
<p>6. Blend temperature drift or temperature cycling.</p>	<p>a. Refer to symptoms 4 and 5.</p> <p>b. Hot water supply temperature fluctuation : check and rectify.</p>
<p>7. Maximum blend temperature setting too hot or too cool.</p>	<p>a. Incorrect maximum temperature setting : refer to Commissioning.</p>
<p>8. Water leaking from the DMV.</p>	<p>Warning! Isolate mains electricity and water supply.</p> <p>a. Check that the connections are secure.</p> <p>b. Seal(s) worn or damaged on the inlet/outlet connections : obtain service pack and renew all seals.</p> <p>c. Internal leakage : unit requires overhaul.</p>
<p>9. LED's are flashing on the control panel and the DMV will not activate.</p>	<p>a. An error has been diagnosed, refer to Self-diagnostic Errors (following table).</p>
<p>10. The DMV keeps switching OFF before the completion of the programmed time flow period.</p>	<p>a. Blend temperature too hot : Reset the DMV by switching the power supply to the DMV OFF, then ON.</p> <p>b. Make sure that the inlet temperatures are within specification, refer to Specifications.</p> <p>If the fault has not been rectified, contact your Local Agent or Customer Care.</p>

Self-Diagnostic Errors

Error code is displayed by a combination of lit LED's



All three LED's flash at the same time

Symptom	Cause/Rectification
	<p>The Control Panel and the DMV are not compatible.</p> <p>a. DMV W or B requires CP W: check and rectify.</p> <p>If the symptom has not been rectified, contact your Local Service Engineer or Agent.</p>
 <p style="text-align: center;">or</p> 	<p>Outlet Temperature is too high or Thermistor fault.</p> <p>a. The inlet/outlet fittings may be blocked: check the inlet/outlet strainers</p> <p>b. Cold water supply failure: reinstate supply</p> <p>c. Safety circuit may require resetting: enable the control panel with the magnetic key to reset.</p> <p>If the symptom has not been rectified, contact your Local Service Engineer or Agent.</p>
	<p>Thermistor fault.</p> <p>Contact your Local Service Engineer or Agent.</p>
	<p>The Stepper Motor is stuck, the motor belt is broken or the Mixer assembly is jammed.</p> <p>Contact your Local Service Engineer or Agent.</p>
	<p>The Mixer assembly is jammed or very stiff.</p> <p>Contact your Local Service Engineer or Agent.</p>
<p>Any other combinations.</p>	<p>A fault has occurred on the Control PCB.</p> <p>a. Memory may require resetting: switch the power supply to the PSU, OFF then ON.</p> <p>If the symptom has not been rectified, contact your Local Service Engineer or Agent.</p>

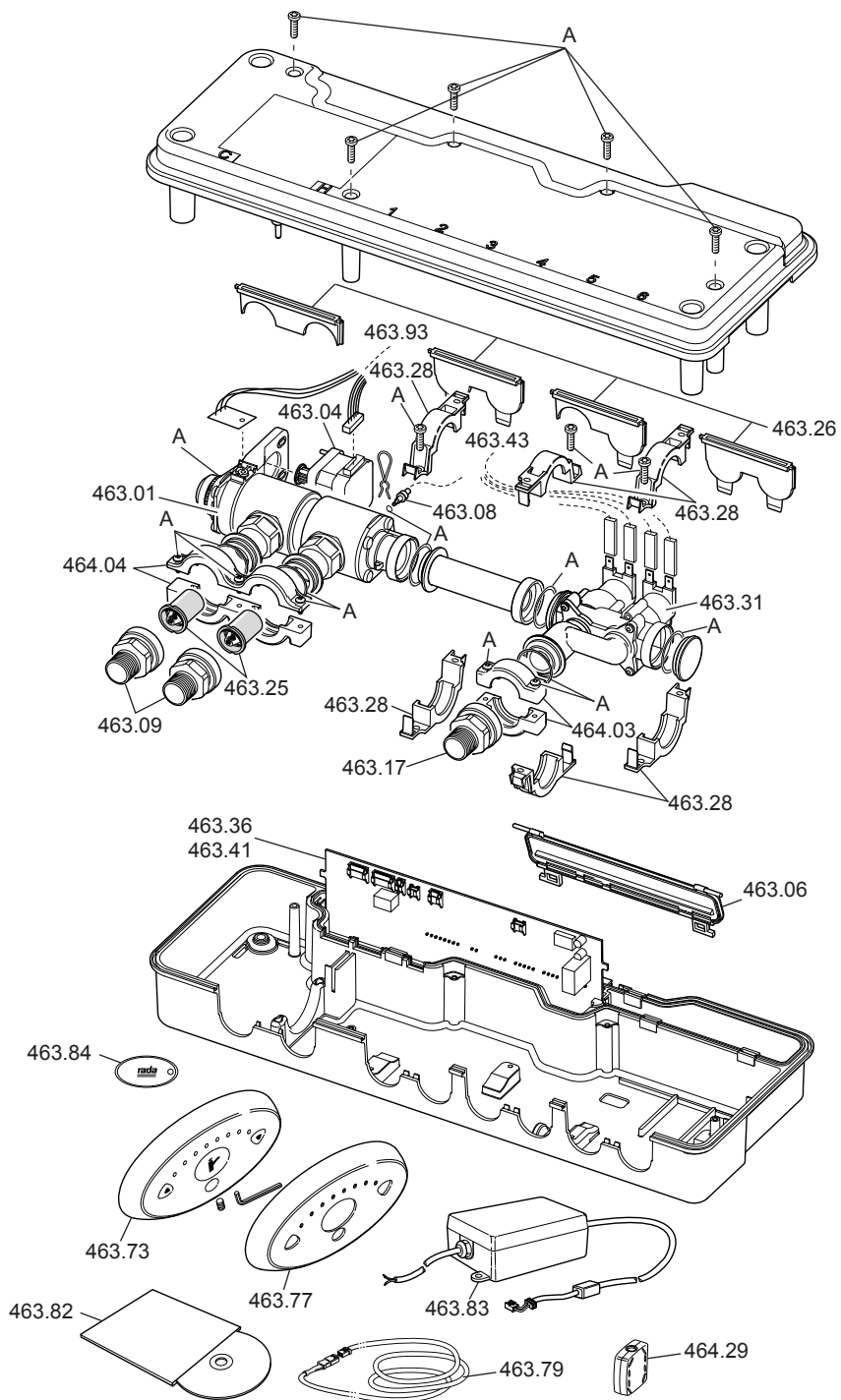
SPARE PARTS

Note! If fixing screws, grommets, 'O' rings or seals are disturbed, these parts will be included with the spare part.

- 463.01 **C2 Valve Assembly** - *Includes Stepper Motor, Stepper Loom, Checkvalve and Filter Pack, Inlet Saddle Clamps and Thermistor Clip*
- 463.04 **Stepper Motor Assembly** - *Includes Timing Belt*
- 463.05 **Seal Screw Pack** - *Components Identified 'A'*
- 463.06 **Cable Cover Pack**
- 463.08 **Single Thermistor Pack**
- 463.09 **Inlet Adapters 1/2 BSP** - *x2 Adapters and Inlet Saddle Clamps*
- 463.17 **Outlet Adapter 1/2 BSP** - *x1 Adapter and Outlet Saddle Clamps*
- 463.25 **Checkvalve and Filter Pack (Cartridge Assembly)**
- 463.26 **Blanking Plate Pack**
- 463.28 **Internal Saddle Clamp**
- 463.31 **Solenoid Manifold (Open)** - *Includes Manifold Cap and Internal Saddle Clamps*
- 463.36 **Control PCB RADA C2/C4 Basin** - *Programmed with Basin Software*
- 463.41 **Control PCB RADA C2/C4 Bidet** - *Programmed with Bidet Software*
- 463.43 **Wiring Loom W/S/B/HP**
- 463.73 **Rada Sense W/B Control Panel**
- 463.77 **Rada Sense Panel Cover 3 Sens (Chrome)**
- 463.82 **Rada Sense Programmer CD T3**
- 463.83 **12 V DC 45 W Power Supply Unit (PSU)**
- 463.84 **Rada Sense Disable Key** - *x4*
- 463.93 **Stepper Motor Loom**
- 464.03 **Outlet Saddle Clamps**
- 464.04 **Inlet Saddle Clamps**
- 464.29 **Suppression Ferrite**

ACCESSORIES

- 463.79 **Extension Lead** - *3 m*
- Spouts** Rada has a comprehensive range of spouts and shower fittings, available separately.



NOTES

NOTES

CUSTOMER SERVICE

Guarantee of Quality

Rada products have the benefit of our one year manufacturer's guarantee which starts from the date of purchase.

Within the guarantee period we will resolve defects in materials or workmanship, free of charge, by repairing or replacing parts or product as we may choose.

This guarantee is subject to the following conditions:

- The product must be installed and maintained in accordance with the instructions given in this guide.
- Repair work must only be undertaken by us or our approved agent. **Note!** If a service visit is required the product must be fully installed and connected to services.
- Repair under this guarantee does not extend the original expiry date. The guarantee on any replacement parts or product ends at the original expiry date.
- For shower fittings or consumable items we reserve the right to supply replacement parts only.

The guarantee does not cover:

- Call out charges for non product faults (such as damage or performance issues arising from incorrect installation, improper use, lack of maintenance, build up of limescale, frost damage, corrosion, system debris or blocked filters) or where no fault has been found with the product.
- Water or electrical supply, waste and isolation issues.
- Compensation for loss of use of the product or consequential loss of any kind.
- Damage or defects caused if the product is repaired or modified by persons not authorised by us or our appointed representative.
- Routine maintenance or replacement parts to comply with regulatory requirements.

What to do if something goes wrong

If your product does not function correctly when you first use it, contact your installer to check that it is installed and commissioned in accordance with the instructions in this manual.

Should this not resolve the issue, contact us and we will offer you or your installer advice.

If the performance of your product declines, check within this manual to see if maintenance is required. Contact us if you require further assistance.

Rada Customer Service

Technical Helpdesk Service

Our dedicated Customer Services Team is comprehensively trained and can offer help and advice, spare parts, accessories or a service visit.

We will need you to have your model name or number and date of purchase.

As part of our quality and training programme calls may be recorded or monitored.

Spares and Accessories

We maintain extensive stocks of genuine spares and accessories and aim to provide support throughout the products life.

Payment can be made by phone at time of order using most major Credit or Debit cards and we aim to despatch orders within two working days. Items purchased from us are guaranteed for 12 months from date of purchase.

For safety reasons spares exposed to mains voltages should only be fitted by competent persons.

Returns – items can be returned within one month of date of purchase, providing that they are in good condition and the packaging is unopened. Please obtain authorisation from our Customer Services Team before return. We reserve the right to apply a 15% restocking charge.

Service / Repairs

We have a nationwide team of fully trained and approved Service Technicians who can carry out all service or repair work both within the guarantee period and beyond.

You have the assurance of a fully trained Technician, genuine Rada spare parts and a 12 month guarantee on any chargeable work done.

Service Contracts

A regular service ensures your product continues to perform at the peak of performance. We offer yearly or bi-annual servicing carried out by our full trained technicians subject to site survey.

Contact us for more details.

Rada Controls,
Cromwell Road,
Cheltenham,
Gloucestershire,
GL52 5EP

Customer Service & Specification Enquiries

Telephone: 0844 571 1777

E-mail: rada_technical@mirashowers.com

Fax: 01242 282595

Rada is a registered trademark of
Kohler Mira Limited.

The company reserve the right to alter
product specifications without notice.

www.radacontrols.com

