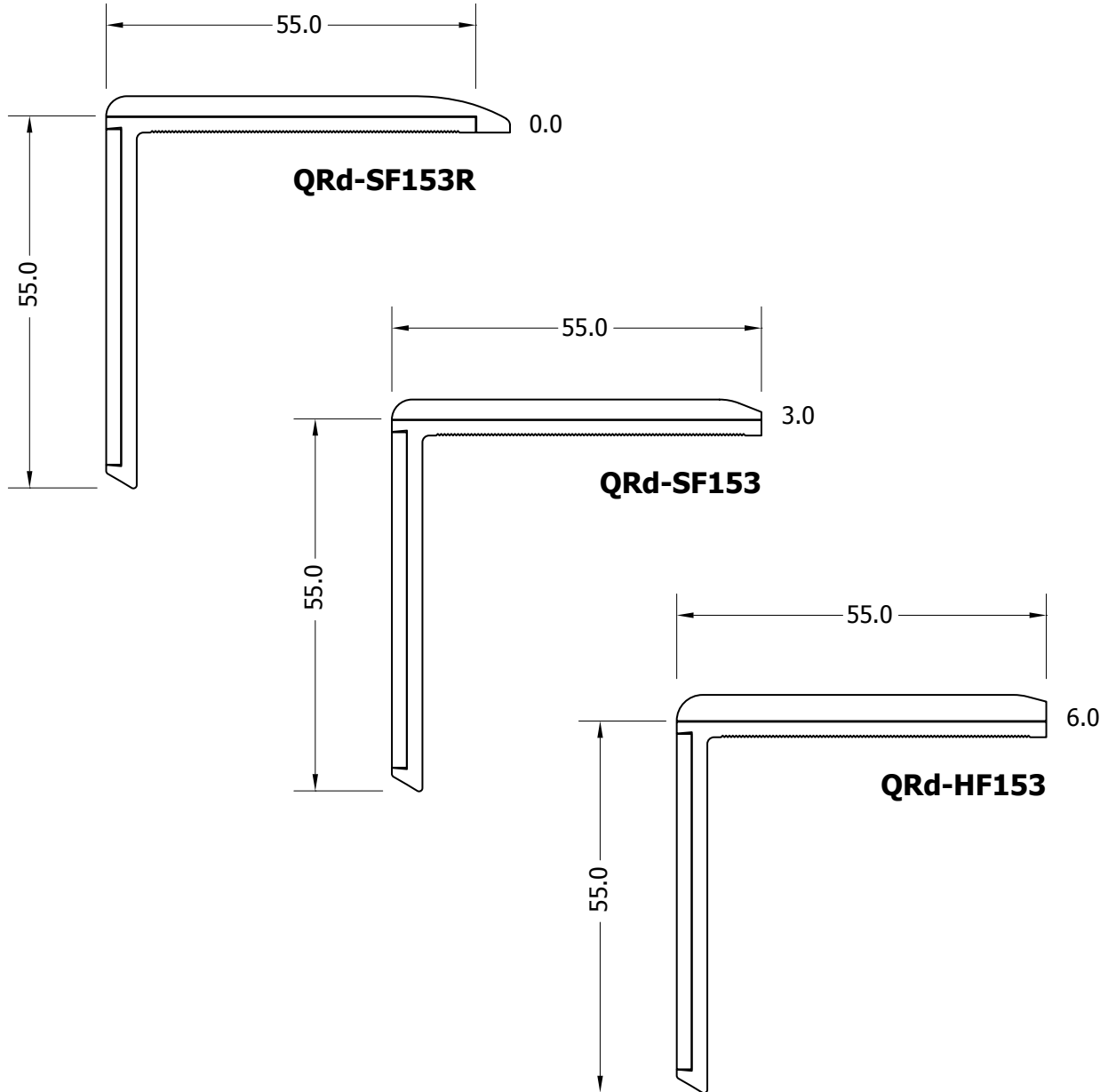


# Quantum Flooring Solutions - Product Drawing



Quantum Profile Systems Ltd.  
Salmon Fields, Royton, Oldham, Lancashire, OL2 6JG  
Tel: 0161 627 4222 Fax: 0161 627 4333 email: info@quantum-ps.co.uk



Product: Q-Range DUO

Scale: 1:1

Material: PVC & uPVC



This drawing should be used for illustration purposes only. It can not be used as a specification of the part.  
For more information please call +44 (0) 161 627 4222 or mailto CustomerService@quantum-ps.co.uk  
Copyright © 2020 Quantum Profile Systems Limited. All rights reserved.

Date: 12/08/2020  
Author: diane.luther  
File: Q-Range DUO.pdf