

Modular Channel Systems

PURUS

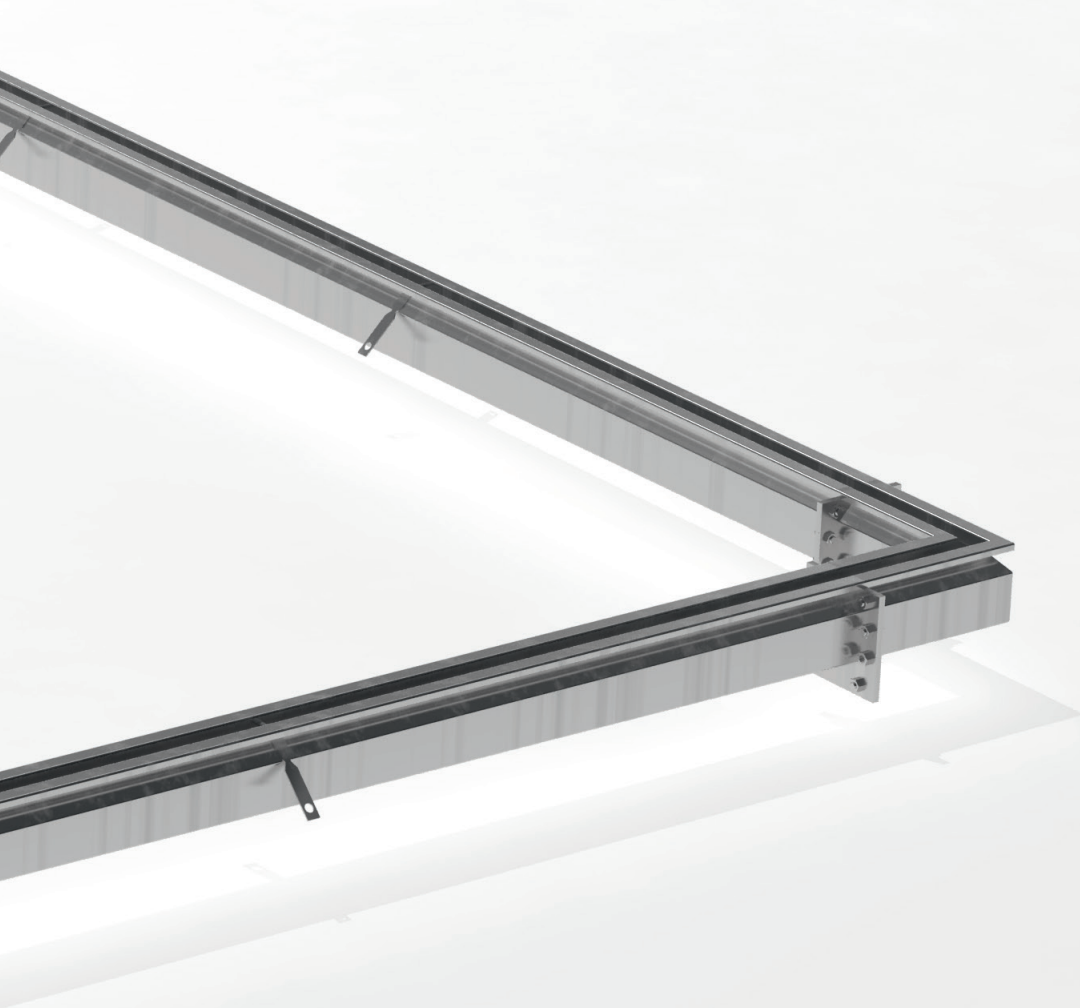




Channel systems with many different combinations

The advantage of a channel system rather than a regular channel drain or gully is that it can lead away water from a large area, and there are built-in slope in the channel. Our channel systems - Slot drains and Grate drains - are based on gully, channel drain, T and L-shaped angle and grate and both are meant to be used with concrete, resin floors or tiled floors without a water proofing membrane.

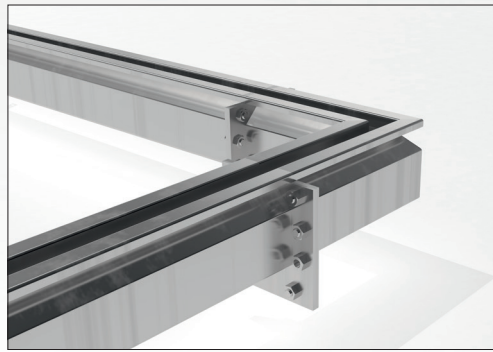
The design makes the installation both simple and secure. In addition, you only need to install one channel drain instead of several gullies in the same area. Both can be combined with T and L-shaped angles, which allow the system to be expanded in two different directions, a total of 24 metres at most (12 metres in each direction), thanks to the built-in slope in the channel. The large gully, together with the buffer created by the channels, creates a system that is well-suited for handling large amounts of water.



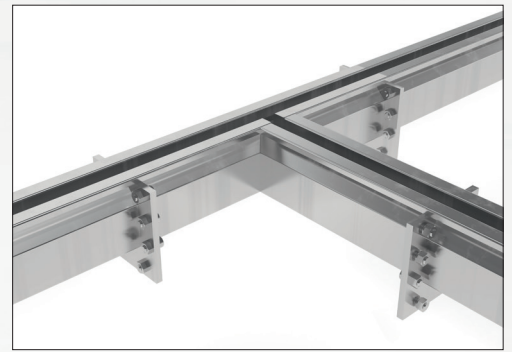


SLOT DRAIN

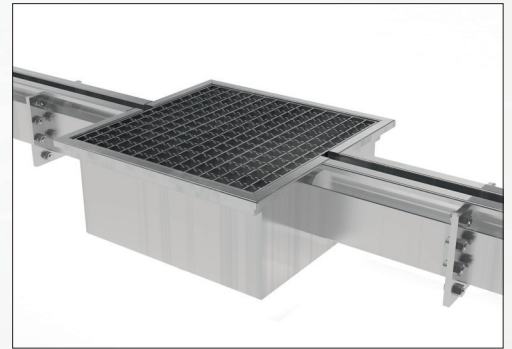
The slot drain is the narrow - only 20 mm - and smart channel drain without a loose grate. It is built with a functional and attractive design for installation in concrete, resin floors or tiled floors without a water proofing membrane making it an affordable alternative. With its grate-free design and geometric design it is easy to clean. Despite the narrow slot, the drain can be inspected from above. It is an excellent choice for concrete floors and discretely blends into the surroundings. The slot drain is equipped with mounting plates with holes that are drilled for installation with threaded bars and nuts.



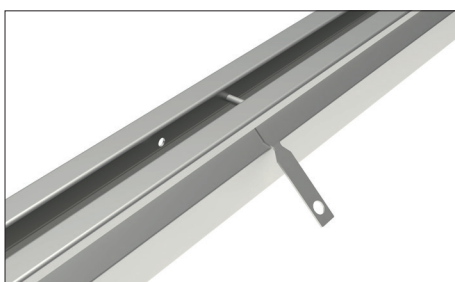
L-shaped angle



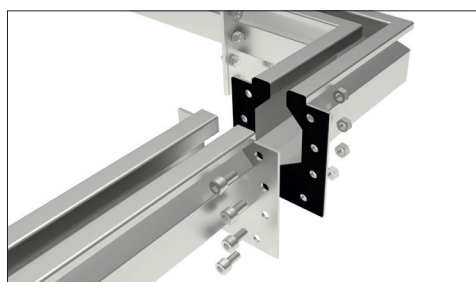
T-shaped angle



Gully



Round bars in the long sections prevent the slot drain from collapsing when cast in concrete.

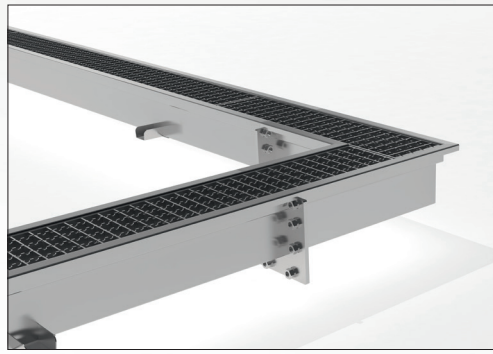


The bolt fastener is assembled with 8 M8 bolts/nuts and an EPDM seal between the flanges.

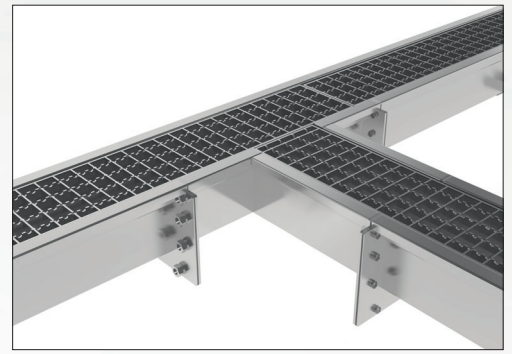


GRATE DRAIN

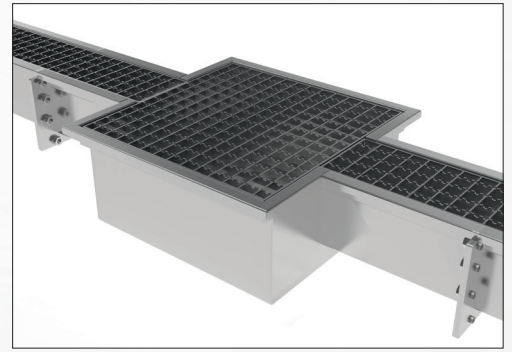
The grate drain is 100 mm wide and has a detachable grate. The stainless steel square mesh grating is constructed for installation in concrete, resin floor or tiled floors with a water proofing membrane and is suited to industrial environments with large water volumes. The grate drain is available in two different load classes, 1,500 kg and 12,500 kg. It can also be fitted with the Purus supporting legs, which makes it easy to adjust channel height when cast in concrete. The drain can also be fitted with threaded bars and nuts as a help if needed.



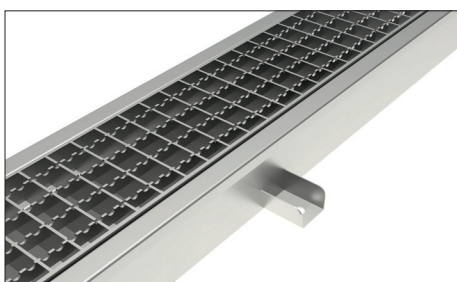
L-shaped angle



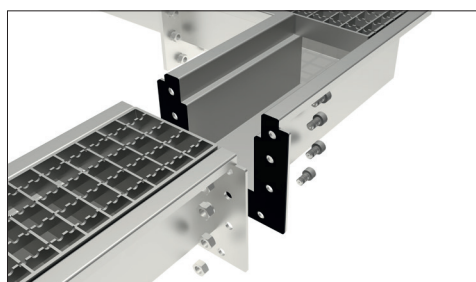
T-shaped angle



Gully



The grate drain can also be fitted with the Purus supporting legs, which make it easy to adjust channel height.

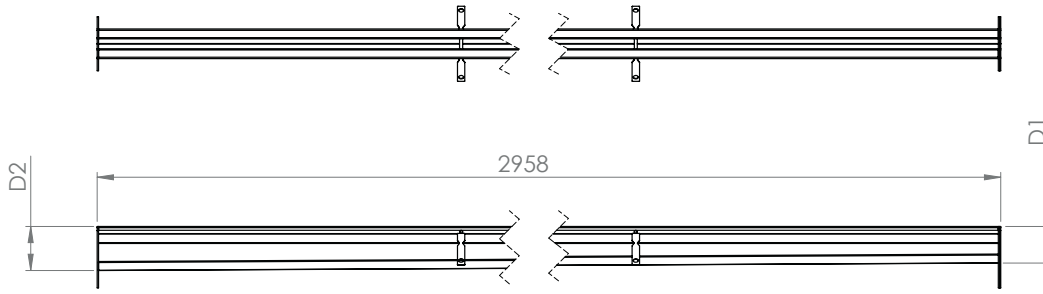


The bolt fastener is assembled with 9 M8 bolts/nuts and an EPDM seal between the flanges.

Specifications and accessories - Slot drain

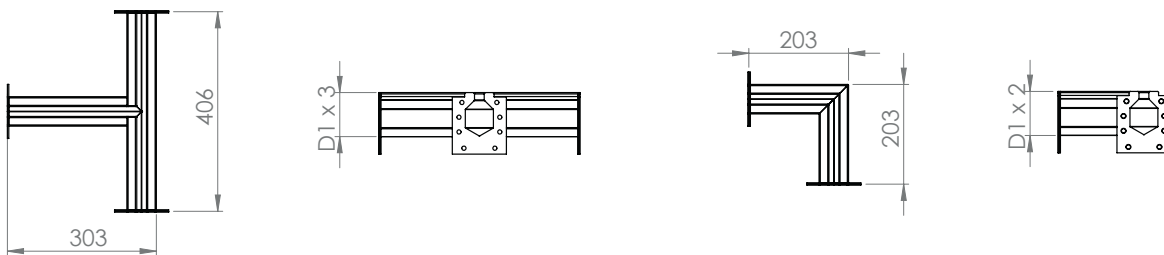
All dimensions are in millimetres.

CHANNEL DRAINS



RSK no.	Description	D1	D2
855655	Channel drain 1 incl. 8 bolts	120	105
855654	Channel drain 2 incl. 8 bolts	105	90
855653	Channel drain 3 incl. 8 bolts	90	75
855652	Channel drain 4 incl. 8 bolts	75	60

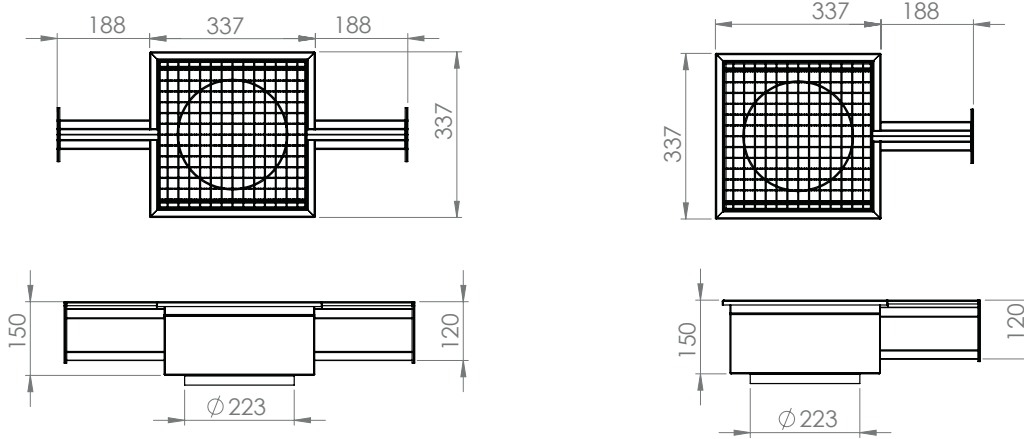
ANGLES



Art. no.	Description	D1
855658	T-shaped angle 1 incl. 16 bolts	105
855657	T-shaped angle 2 incl. 16 bolts	90
855656	T-shaped angle 3 incl. 16 bolts	75

Art. no.	Description	D1
855661	L-shaped angle 1 incl. 8 bolts	105
855660	L-shaped angle 2 incl. 8 bolts	90
855659	L-shaped angle 3 incl. 8 bolts	75

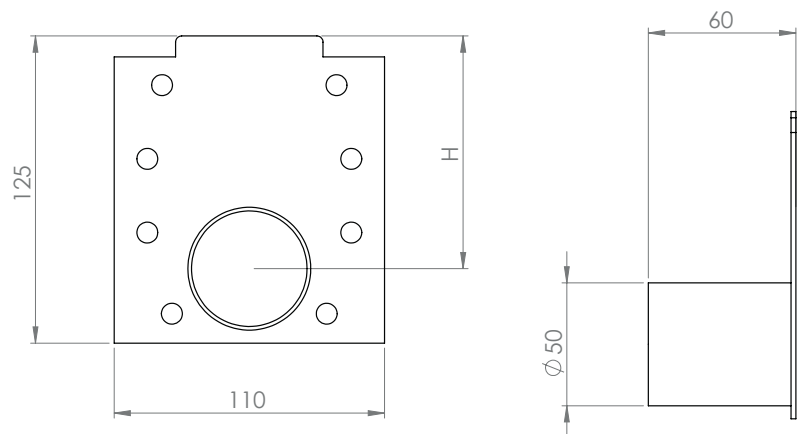
GULLY UNIT



Art. no.	Description
855650	Gully, one inlet incl. 8 bolts
855651	Gully, two inlets incl. 16 bolts

SIDE OUTLETS

RSK no.	Description	H
855662	End 1 Ø50 outlet	95
855843	End 2 Ø50 outlet	80
855844	End 3 Ø50 outlet	65
855845	End 4 Ø50 outlet	50



ACCESSORIES

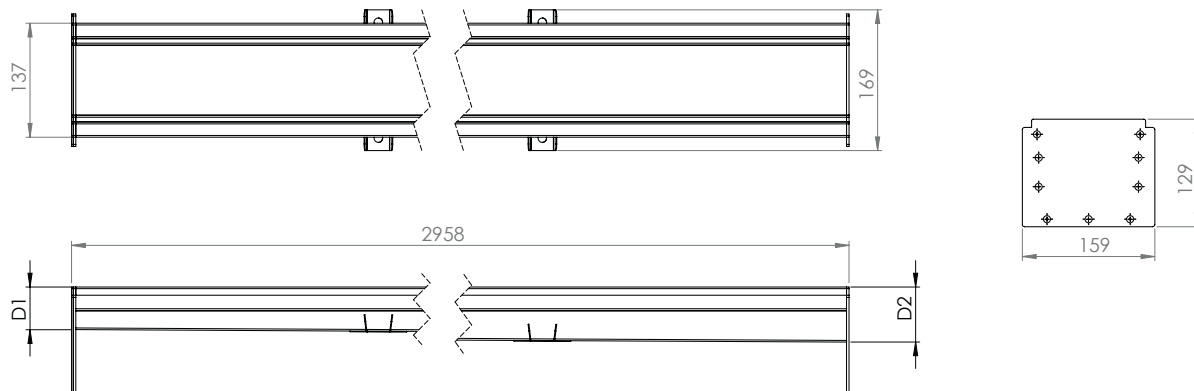
Art. no.	Description
855629	End for bolt fastener (suits all models)
855630	End for welding (suits all models)
300608PR	Side outlet Ø75 incl. water trap/filter bucket BH50. Flow 2.4 l/sec.
300202PR	Side outlet Ø110 incl. water trap/filter bucket BH50 Flow 2.9 l/sec.
301407PR	Bottom outlet Ø75 incl. water trap/filter bucket BH50. Flow 2.4 l/sec.
301001PR	Bottom outlet Ø110 incl. water trap/filter bucket BH50 Flow 2.9 l/sec.

Art. no.	Description
7133618PR	Distancer for deep outlets
7138444	Sediment trap BH50
7138443	Filter bucket BH50
07167	Filter bucket 90
07165	Sediment trap 90

Specifications and accessories - Grate drain

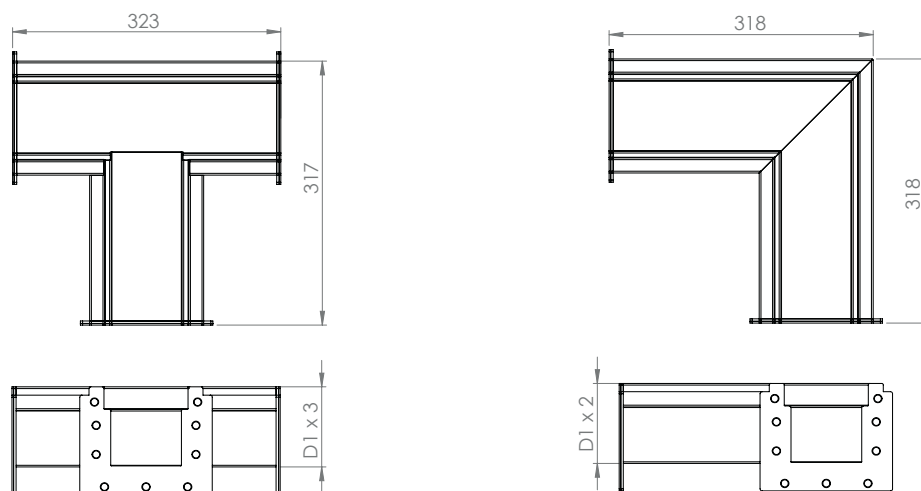
All dimensions are in millimetres.

CHANNEL DRAINS



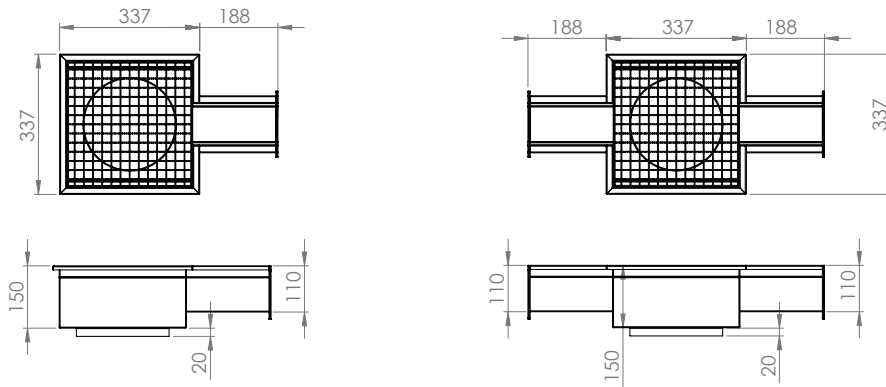
RSK no.	Description	D1	D2
855705	Channel drain 1 incl. 9 bolts	95	110
855704	Channel drain 2 incl. 9 bolts	80	95
855703	Channel drain 3 incl. 9 bolts	65	80
855702	Channel drain 4 incl. 9 bolts	50	65

ANGLES



Art. no.	Description	D1
855711	T-shaped angle 1 incl. 18 bolts	95
855710	T-shaped angle 2 incl. 18 bolts	80
855709	T-shaped angle 3 incl. 18 bolts	65
855708	L-shaped angle 1 incl. 9 bolts	95
855707	L-shaped angle 2 incl. 9 bolts	80
855706	L-shaped angle 3 incl. 9 bolts	65

GULLY UNIT



Art. no.	Description
855700	Gully, one inlet incl. 9 bolts
855701	Gully, two inlets incl. 18 bolts

ACCESSORIES

Art. no.	Description	Art. no.	Description
855699	End for bolt fastener (suits all models)	7133618PR	Distancer for deep outlets
300608PR	Side outlet Ø75 incl. water trap/filter bucket BH50. Flow 2.4 l/sec.	7138444	Sediment trap BH50
300202PR	Side outlet Ø110 incl. water trap/filter bucket BH50 Flow 2.9 l/sec.	7138443	Filter bucket BH50
301407PR	Bottom outlet Ø75 incl. water trap/filter bucket BH50. Flow 2.4 l/sec.	07167	Filter bucket 90
301001PR	Bottom outlet Ø110 incl. water trap/filter bucket BH50 Flow 2.9 l/sec.	07165	Sediment trap 90

Purus is one of Scandinavia's leading manufacturers of sanitaryware for bathrooms and kitchens. Our products areas are floor gullies, indoor drainage systems, stainless steel interiors and stainless steel sanitaryware. We also manufacture bespoke products according to dimensions, choice of materials and load classes.

Our website, www.purusgroup.com, is not only a source of inspiration but also lets you download installation instructions, technical drawings, certificates etc.