

## 3000/VAD/C Conventional Ceiling Mounted VAD

- LED Technology for Long Service Life
- Cost Effective Installation Solution
- Ideal for Bedrooms, Bathrooms and Toilets
- Adjustable from 3 to 7.5m Room Coverage Volume
- Up to 3 metres (m) Mounting Height
- Adjustable Flash Rate
- Approved to EN54 Part 23



The Protec 3000/VAD/C is a conventional ceiling mounted beacon is a high intensity beacon with up to 7.5m room coverage.

#### Order Codes

3000/VAD/C/RED  
3000/VAD/C/WHITE

The device is designed for installation at a height of up to 3m and adjustable from 7.5 to 3m room coverage to suit all applications.

For smaller areas, the device can be switched down to from 7m to 3m thus reducing power consumption and maximising the number of devices on the circuit.

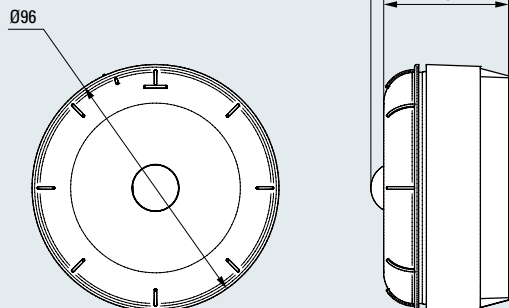
The product has a unique lens that distributes the light in a cuboid shape to achieve the required illumination of 0.4lux over the entire room area in accordance with EN54-23.

The design is based on LED technology for long life, reliability and low power consumption.

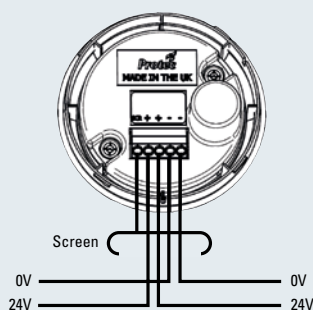
Compliance with DDA legislation, this high intensity led beacon warns those with hearing impairments or in noisy environments.

# Technical Specification

## Dimensions (mm)



## Wiring Diagram



## Technical Specification

Environment	-10 to 50°C, 95% R.H (non condensation or icing)
Ingress Protection	IP33C
Weight (excluding base)	114g
Voltage	18 - 30V
Mounting Height (x)	3 metres
Coverage(y)	7.5m switchable to 3m
Coverage Volume Code	C-3-7.5
Flash Rate	1 to 0.5Hz
Mounting	Ceiling
Product Approval	CoCP No: 0359-CPR-0408 DoP No: PFD-CPR-0099 (Red) DoP No: PFD-CPR-0100 (White) Relevant Standard: EN54 Part 23



## Design Guidance

Protec VAD's have been approved to BS EN 54-23 and use the rating codes below:

**C-x-y** (eg C-3-7.5)

Where:

- C** is ceiling mounted
- x** is the maximum height (M)
- y** is the illumination diameter for the cylindrical volume (M)

BS EN 54-23 approved VAD's are approved as ceiling mounted and must provide a minimum illumination level of 0.4 lux for the stated volume

## Table A: Direct Viewing

Coverage volumes for various ambient light levels (lux)

BS EN54-23 Rating	C-3-7.5
Mounting Position	Ceiling
Less than 100 lux	21dia
100 - 200 lux	18dia
200 - 300 lux	14.3dia
300 - 400 lux	10.5dia
400 - 500 lux	8.3dia
500 - 600 lux	6.8dia
600 - 700 lux	5.3dia
700 - 800 lux	3.8dia

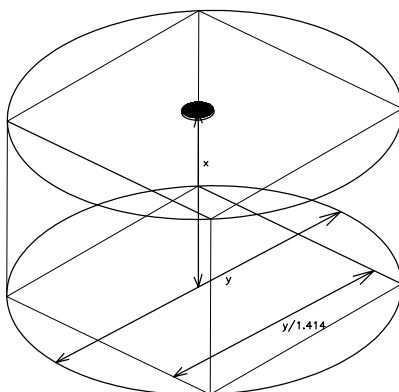
## Table B: Indirect Viewing

Coverage volumes for various ambient light levels (lux)

BS EN54-23 Rating	C-3-7.5
Mounting Position	Ceiling
Less than 100 lux	9.8dia
100 - 200 lux	9dia
200 - 300 lux	7.5dia
300 - 400 lux	6dia
400 - 500 lux	4.5dia
500 - 600 lux	3.8dia
600 - 700 lux	*
700 - 800 lux	*

Coverage volumes height, diameter, length and width dimensions are in metres.

\* Where ambient light levels may, at any time, exceed 600 lux, direct viewing is preferred (CoP 001 clause 4.6.9.4)



## Model References

Product Code	Colour Options
3000/VAD/C/RED	Red Body (White Flash)
3000/VAD/C/WHITE	White Body (White Flash)
<b>NOTE:</b> All Model References above are 24V DC VAD's, supplied with a low profile base. An optional deep base (below) can be purchased separately to allow surface wiring to be terminated directly into the base.	
29-982-75	Red Deep Base
29-983-76	White Deep Base

## Deeper Base Dimensions (mm)

