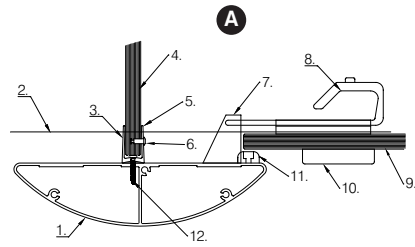
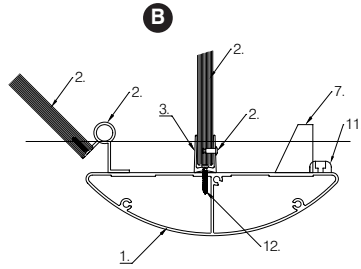


SYSTEM D

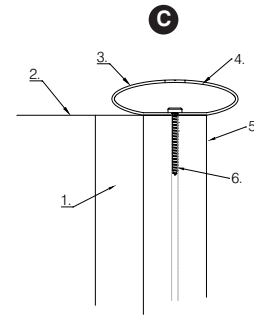
Technical



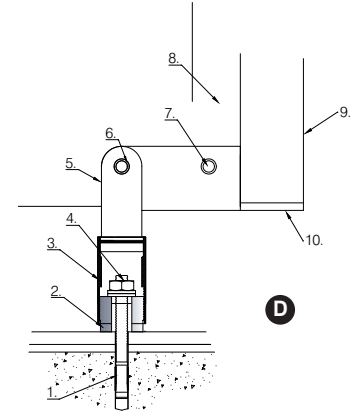
- A System D Lock Detail**
- 1 - Solid Grade Laminate Fascia.
 - 2 - Aluminium Receiver.
 - 3 - Nylon Tip.
 - 4 - Aluminium Finger.
 - 5 - Aluminium Lock Body.
 - 6 - Solid Grade Laminate Door.
 - 7 - Aluminium Indicator Plate.



- B System D Hinge Detail**
- 1 - Solid Grade Laminate Fascia.
 - 2 - Solid Grade Laminate Door.
 - 3 - Aluminium Hinge.
 - 4 - Divider Panel.
 - 5 - Cap Headset Screw.
 - 6 - Brass Insert.



- C System D Head Rail Section Detail**
- 1 - FL1/FL2 Vertical Profile.
 - 2 - FL4 Connect Aluminium Head Section.
 - 3 - Aluminium Clip-In Profile.
 - 4 - 1207 No 12 x 2.5 Posi Pan Self Tap A2.



- D Conform Foot Section Detail**
- 1 - Plastic Plug.
 - 2 - Inner (2part Assembly).
 - 3 - Aluminium Tapped Leg.
 - 4 - Adjustment Bolt.
 - 5 - Aluminium Leg Angle.
 - 6 -
 - 7 - Screw.



Door Lock



Door Hinge



Head Rail



Foot

