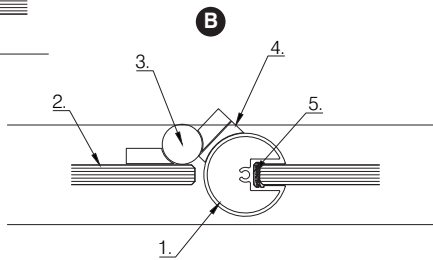
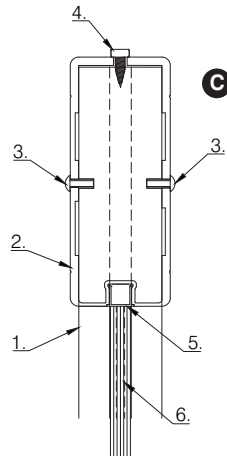


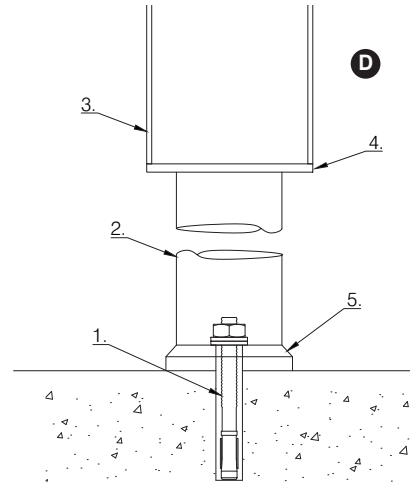
A Suspended Lock Detail
 1 - Aluminium profile.
 2 - Compact grade laminate.
 3 - Silicone.
 4 - Aluminium latch plate.
 5 - Buffer (door knob).
 6 - Nylon door knob.



B Suspended Hinge Detail
 1 - Aluminium profile.
 2 - Compact grade laminate.
 3 - Hinge.
 4 - Nylon hinge packer
 5 - Silicone.



C Suspended Beam Section Detail
 1 - Aluminium profile.
 2 - Aluminium beam.
 3 - Rivet.
 4 - Bolt.
 5 - Clip-in section
 6 - Compact grade laminate



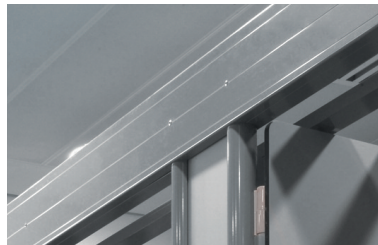
D Suspended Foot Section Detail
 1 - Floor bolt.
 2 - Aluminium leg.
 3 - Aluminium post.
 4 - Bottom end cap.
 5 - Aluminium foot.



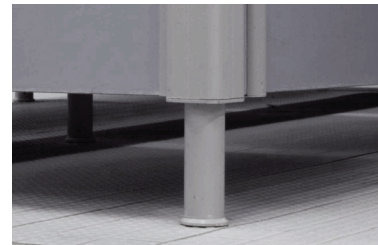
Door Lock



Door Hinge



Head Rail



Foot

SUSPENDED

Technical

