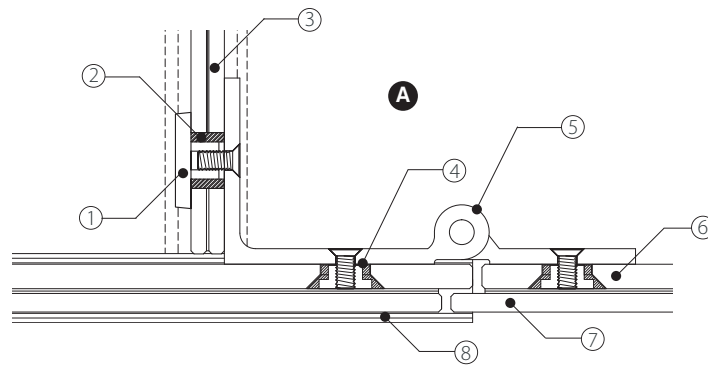


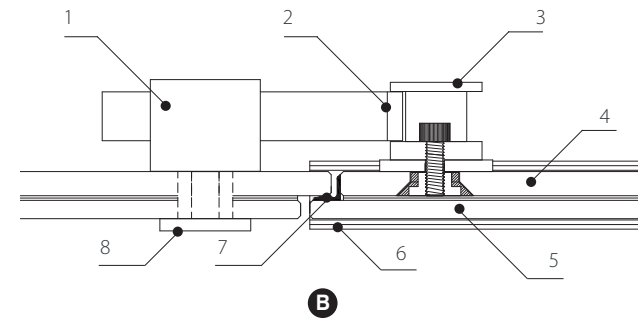
CLOUD

Technical



A Cloud Lock Detail

- 1 - Lock body
- 2 - Lock finger
- 3 - Adjustable lock receiver
- 4 - 8mm T&L, low iron glass
- 5 - 6mm T&L, low iron glass
- 6 - Adjustable floor channel
- 7 - Protective door gasket
- 8 - Indicator face plate



B Cloud Hinge Detail

- 1 - Decorative rosette
- 2 - Adjustable nylon ferrel
- 3 - 6mm x 6mm T&L, low iron glass
- 4 - Concealed rosette
- 5 - Hinge
- 6 - 8mm T&L, low iron glass
- 7 - 6mm T&L, low iron glass
- 8 - Adjustable floor channel



Door Lock



Door Stop

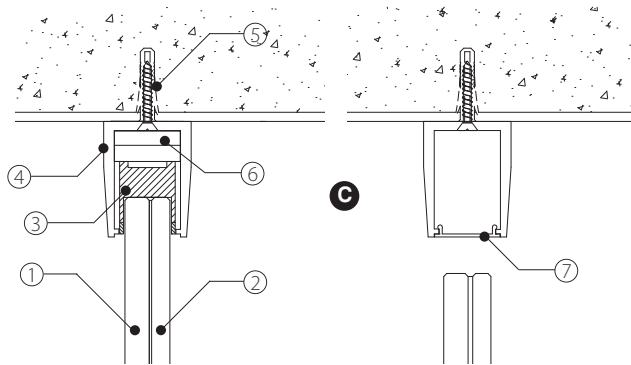


Door Hinge



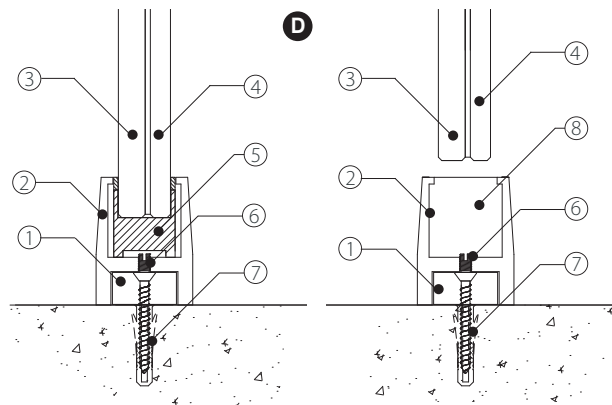
Head Rail





C Cloud Pilaster Detail

- 1 - 8mm T & L, low iron glass
- 2 - 6mm T & L, low iron glass
- 3 - PVC gasket
- 4 - Ceiling channel
- 5 - Anchor screw/plug (into ceiling)
- 6 - Foam protection tape
- 7 - Clip in section (between door openings)



D Cloud Door Detail

- 1 - Base profile
- 2 - Adjustable floor channel
- 3 - 8mm T & L, low iron glass
- 4 - 6mm T & L, low iron glass
- 5 - Glass protection layer
- 6 - Adjustable screw
- 7 - Fix down screw/plug (info floor)
- 8 - Channel endcap



Floor Channel



Lock Indicator



Door Handle

CLOUD
Technical

