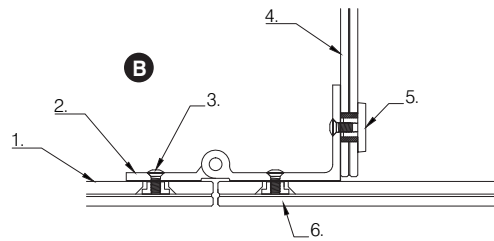
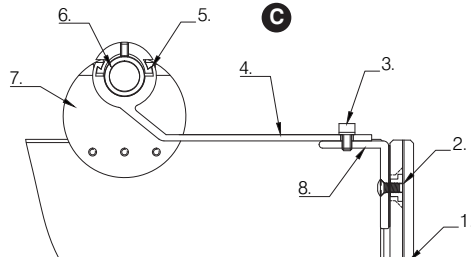


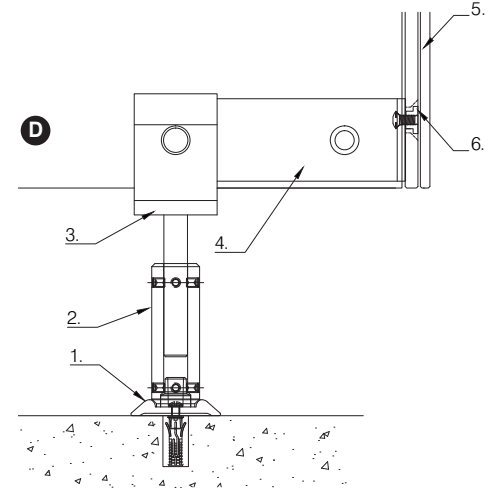
- A Air Lock Detail**
- 1 - 8 & 6mm T & L, low iron glass.
  - 2 - Lock receiver (base).
  - 3 - Lock receiver (adjustable).
  - 4 - Lock finger.
  - 5 - Lock housing
  - 6 - Indicator face plate.
  - 7 - Door stop plate C/W buffer.



- B Air Hinge Detail**
- 1 - 8 & 6mm T & L, low iron glass.
  - 2 - Hinge.
  - 3 - Screw.
  - 4 - Divider.
  - 5 - Rosette.
  - 6 - Concealed rosette.



- C Air Head Rail Section Detail**
- 1 - 8 & 6mm T & L, low iron glass.
  - 2 - Concealed rosette.
  - 3 - Socket head screw.
  - 4 - Door stop arm.
  - 5 - Shock bracket.
  - 6 - 'Puck' glass bracket.
  - 7 - Stabilizing bar
  - 8 - Rear panel bracket



- D Air Foot Section Detail**
- 1 - Ground rosette.
  - 2 - Aluminium leg.
  - 3 - Clamping bracket.
  - 4 - Angle bracket.
  - 5 - 8 & 6mm T & L, low iron glass.
  - 6 - Concealed rosette.

**AIR**  
Technical



Door Lock



Door Hinge



Head Rail



Foot

