



**SPECIFICATION:**

Door height should be equal to the height from ffl to underside of transom. Please note the bottom webs of the footer bar need to be removed. The bottom will need to be packed out to 30mm. The top rail needs to be flat for us to fix the adapter profile.

CLIENT NAME & ADDRESS:

PROJECT NAME & ADDRESS:

COLOUR

PROSALE CONTRACT No.	DATE
DRAWING NO.	REVISION
SCALE	DRAWN BY

THIRD ANGLE PROJECTION  
DO NOT SCALE  
ELEVATION VIEWED FROM OUTSIDE

**COPYRIGHT - PROSALE LTD**  
This drawing shall not be copied, reproduced or forwarded to any third party without permission from the Directors of Prosale Ltd

**DRAWING STATUS**

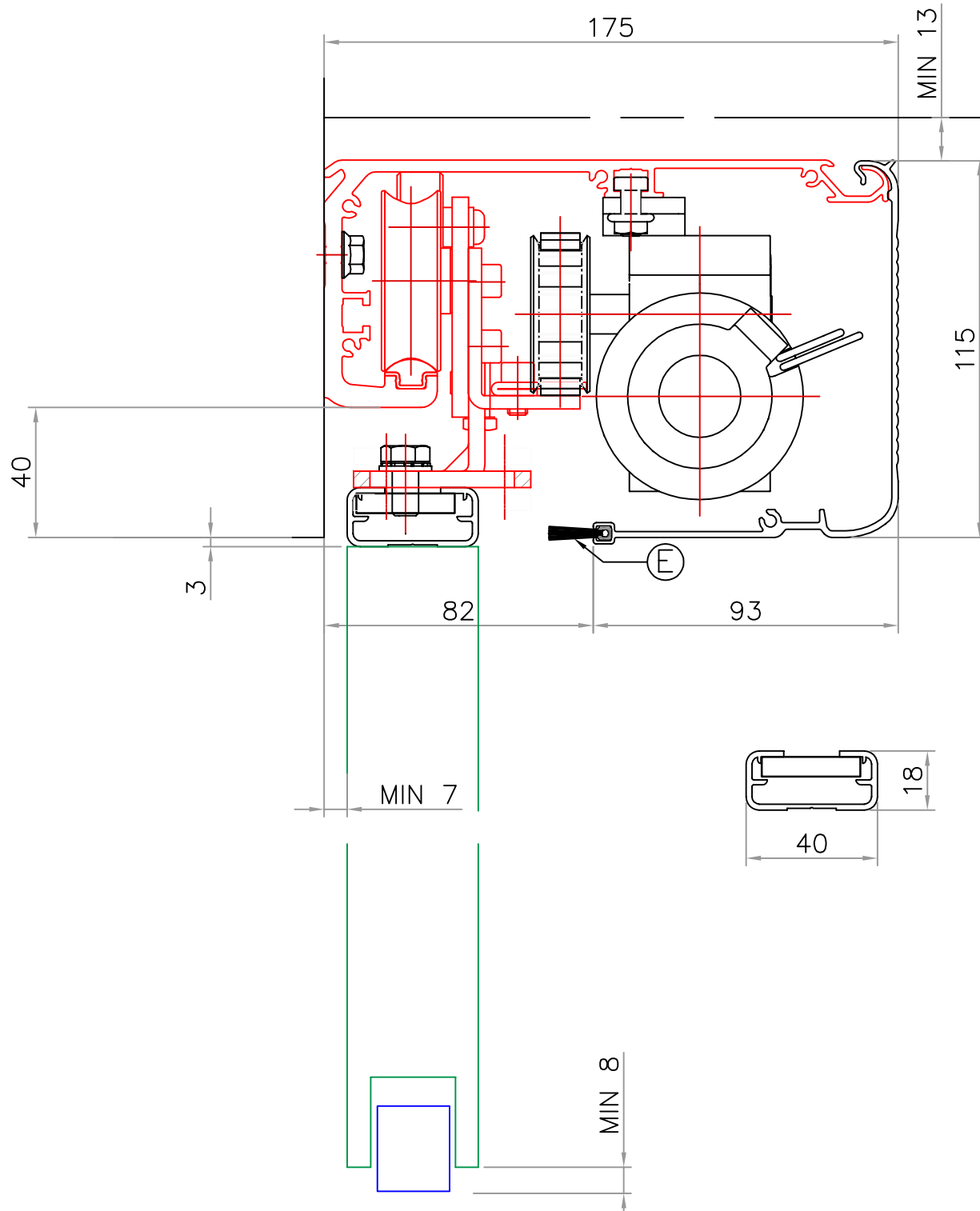
FOR INFORMATION ONLY

SIGNED ON BEHALF OF.....

SIGNATURE.....

DATE.....

**Prosale Limited**  
Unit 30Glenmore Centre  
Marconi Drive  
Quedgeley, Gloucestershire  
GL2 2AP.  
Tel: 0845 0945 636  
Fax: 0845 0945 626  
Email: info@prosaledoors.co.uk



Adapter profile (by Prosale)